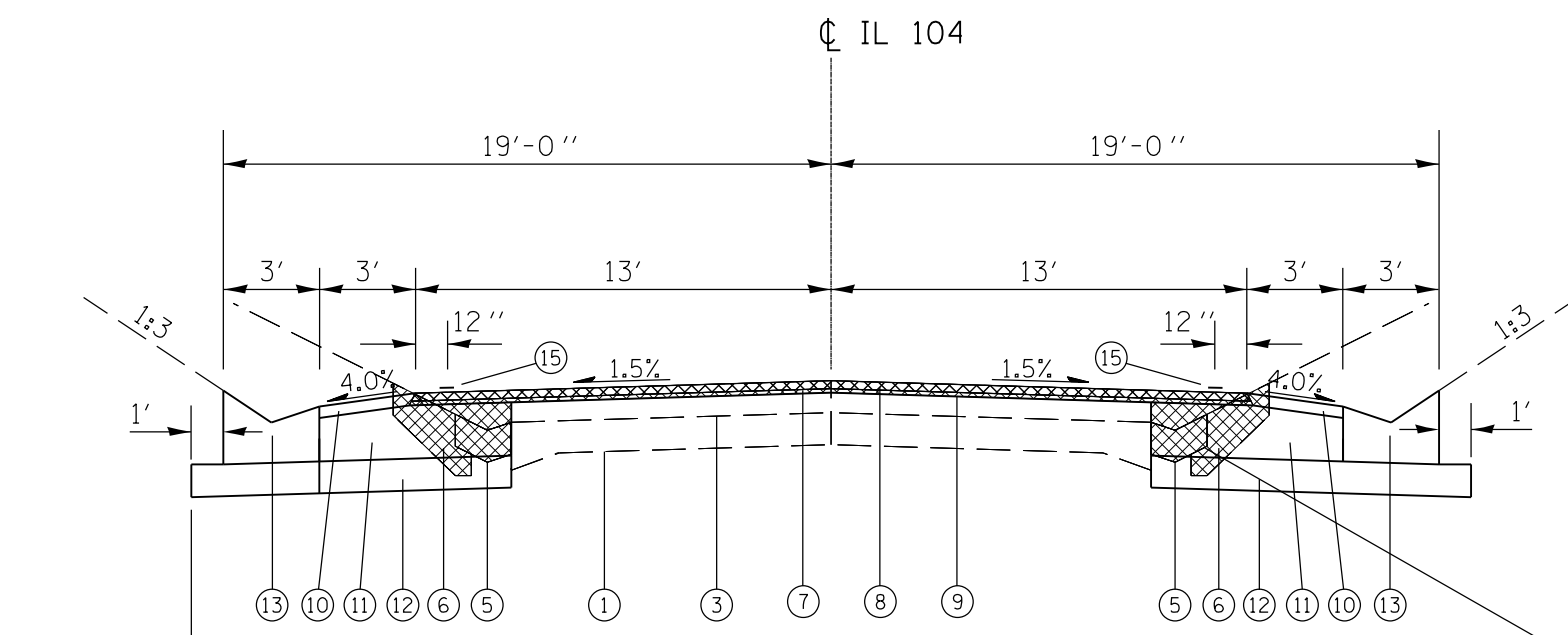
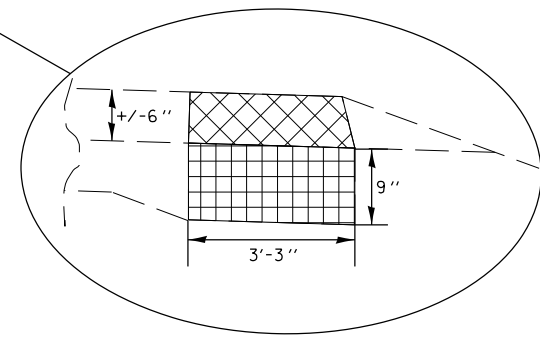
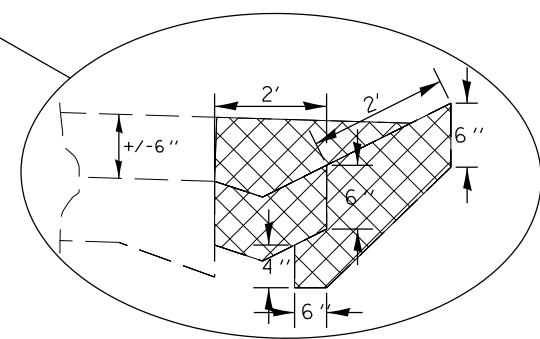


RT STA 1242+05.00 TO RT STA 1246+46.00
 BRIDGE OMISSION (RT STA 1246+46.00 TO RT STA 1247+39.00)
 RT STA 1247+39.00 TO RT STA 1248+51.00
 LT STA 1242+32.00 TO LT STA 1246+37.00
 BRIDGE OMISSION (LT STA 1246+37.00 TO RT STA 1247+30.50)
 LT STA 1247+30.50 TO LT STA 1248+51.00



RT STA 1239+50.00 TO RT STA 1242+05.00
 RT STA 1248+51.00 TO RT STA 1253+50.00
 LT STA 1239+50.00 TO LT STA 1242+32.00
 LT STA 1239+50.00 TO LT STA 1253+50.00



LEGEND

- ① EX PCC PAVEMENT (9 - 6 - 9)
- ② EX HMA BASE COURSE WIDENING
- ③ EX HMA OVERLAY (6" AND VAR)
- ④ EX AGGRAGATE SHOUDLER
- ⑤ EX CONCRETE GUTTER TYPE B
- ⑥ EX CONCRETE GUTTER SPECIAL
- ⑦ HMA SURFACE REMOVAL 2 1/4"
- ⑧ PROP HMA SURFACE MIX "C" N50 1 1/2"
- ⑨ PROP HMA LEVEL BINDER N50 3/4"
- ⑩ PROP HMA SHOULDER 2 1/4"
- ⑪ BASE COURSE WIDENING 10"
- ⑫ SUB-BASE GRANULAR MATERIAL, TY B 6"
- ⑬ CONCRETE GUTTER, TY A
- ⑭ AGGREGATE SHOULDERS, TY B (WEDGE)
- ⑮ 5" STRIPED EDGE LINE

NOTE:

SAW CUTS SHALL BE INCLUDED IN PAVEMENT AND GUTTER REMOVAL. IT SHALL BE DONE IN ACCORDANCE WITH SECTION 440.03 OF THE "Standard Specifications for Road and Bridge Construction".

FILE NAME =	USER NAME = laughlinc1	DESIGNED -	REVISED -	STATE OF ILLINOIS DEPARTMENT OF TRANSPORTATION	IL 104 OVER GRINDSTONE CREEK TYPICAL SECTIONS			F.A.P. RTE.	SECTION	COUNTY	TOTAL SHEETS	SHEET NO.
et:\pw\work\p\dot\laughlinc1\0215213\0672b98-shr-typical.dgn	DRAWN -	REVISED -	745					107B-1	ADAMS	86	7	
PLOT SCALE = 40.0002' / in.	CHECKED -	REVISED -	CONTRACT NO. 72B98									
PLOT DATE = Oct-14-2010 09:41:06AM	DATE -	REVISED -	SCALE:		SHEET NO. OF	SHEETS	STA.	TO STA.	ILLINOIS FED. AID PROJECT			