

STATE OF ILLINOIS
DEPARTMENT OF TRANSPORTATION
DIVISION OF HIGHWAYS

**PROPOSED
CONTRACT MAINTENANCE**

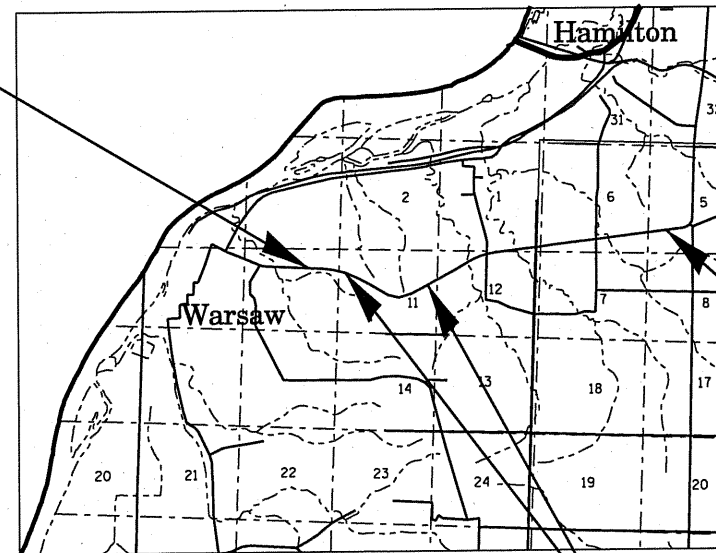
SBI 96 (WARSAW SPUR)
SECTION 123 RS-6

HANCOCK COUNTY

C-96-007-10

R 9 W

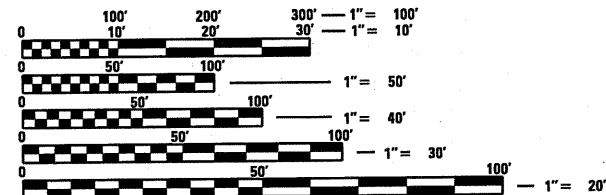
BEGIN PROJECT
STA. 66 + 50



END PROJECT
STA. 197 + 50

OMISSION STA. 88 + 32
TO STA. 134 + 63

FOR INDEX OF SHEETS, SEE SHEET NO. 2



FULL SIZE PLANS HAVE BEEN PREPARED USING STANDARD ENGINEERING SCALES. REDUCED SIZED PLANS WILL NOT CONFORM TO STANDARD SCALES. IN MAKING MEASUREMENTS ON REDUCED PLANS, THE ABOVE SCALES MAY BE USED.

J.U.L.I.E.
JOINT UTILITY LOCATION INFORMATION FOR EXCAVATION
1-800-892-0123
OR 811

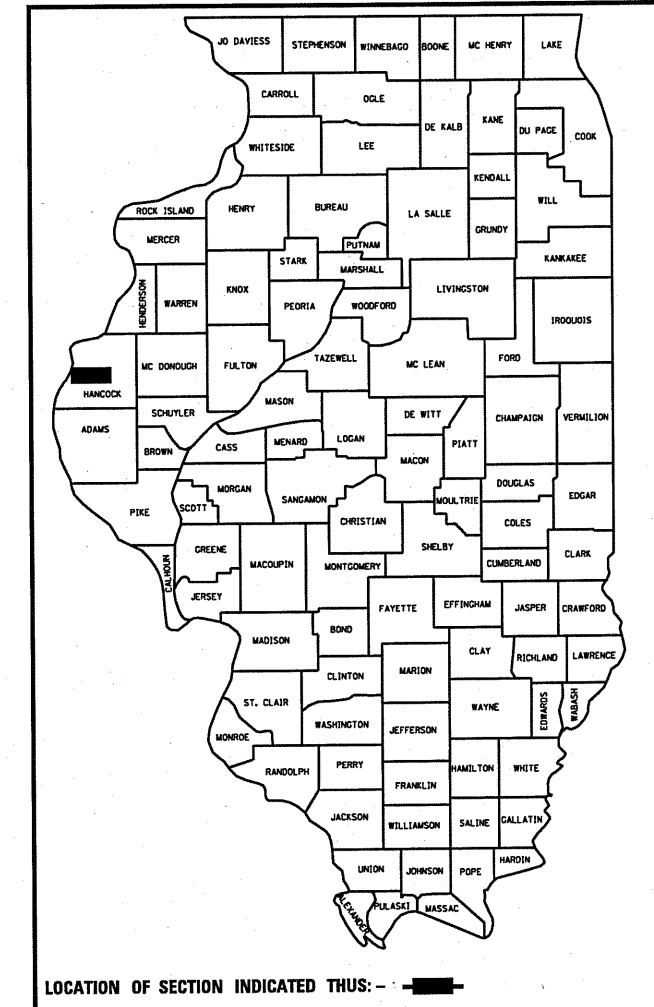
PLAN AND CONTRACT TECHNICIAN
TIMOTHY SHARP (217)782-7743

CONTRACT NO. 72D73

GROSS LENGTH = 13,104.00 FT. = 2.482 MILE
NET LENGTH = 8,473.00 FT. = 1.604 MILE

S.B.I. R.T.E.	SECTION	COUNTY	TOTAL SHEETS	SHEET NO.
96	123 RS-6	HANCOCK	10	1
FED. ROAD DIST. NO.	ILLINOIS	CONTRACT NO. 72D73		

D-96-007-10



LOCATION OF SECTION INDICATED THUS: - [black rectangle] -

STATE OF ILLINOIS
DEPARTMENT OF TRANSPORTATION
DIVISION OF HIGHWAYS

SUBMITTED May 15 20 10
Roger Z. Duda
DEPUTY DIRECTOR OF HIGHWAYS, REGION ENGINEER

June 25 20 10
Scott E. Stitt, P.E.
ENGINEER OF DESIGN AND ENVIRONMENT

June 25 20 10
Christine M. Rooden
DIRECTOR OF HIGHWAYS, CHIEF ENGINEER

PRINTED BY THE AUTHORITY
OF THE STATE OF ILLINOIS

INDEX

- 1 COVER
- 2 INDEX/STANDARDS/SIGNATURES
- 3-4 QUANTITIES
- 5-7 TYPICAL SECTIONS
- 8 CROSS SECTIONS
- 9 SCHEDULES
- 10 BUTT JOINT DETAILS

STANDARDS

- 442201-03
- 482006-03
- 606101-04
- 701001-02
- 701006-03
- 701201-03
- 701301-03
- 701306-02
- 701311-03
- 701901-01
- 780001-02
- 781001-03
- 701326-03

NOTES:

SIZE AND LOCATION OF PATCHES TO BE DETERMINED IN THE FIELD BY THE RESIDENT ENGINEER.

NO PASSING ZONES TO BE FIELD VERIFIED BY THE BUREAU OF OPERATIONS. THE RESIDENT ENGINEER SHALL NOTIFY THE BUREAU OF OPERATIONS 14 DAYS PRIOR TO PERMANENT PAVEMENT MARKING.

Rev.

STATE OF ILLINOIS DEPARTMENT OF TRANSPORTATION DIVISION OF HIGHWAYS DISTRICT 6	
EXAMINED <u>MAY 19</u> 20 <u>10</u>	<u>Oil Walker</u> ENGINEER OF OPERATIONS
EXAMINED <u>MAY 12</u> 20 <u>10</u>	<u>Tommy Frost</u> ENGINEER OF PROJECT IMPLEMENTATION
EXAMINED <u>MAY 14</u> 20 <u>10</u>	<u>ARML</u> ENGINEER OF PROGRAM DEVELOPMENT

INDEX/STANDARDS/SIGNATURES
SBI 96 (WARSAW SPUR)
SECTION 123 RS-6
HANCOCK COUNTY

S U M M A R Y O F Q U A N T I T I E S

CODE NO.	ITEM	UNIT	100% STATE
			TOTAL QTY
20200100	EARTH EXCAVATION	CU YD	88.5
40600200	BITUMINOUS MATERIALS (PRIME COAT)	TON	8.2
40600300	AGGREGATE (PRIME COAT)	TON	43.3
40600895	CONSTRUCTING TEST STRIP	EACH	1
40600990	TEMPORARY RAMP	SQ YD	81
40603310	HOT-MIX ASPHALT SURFACE COURSE, MIX ^c , N50	TON	2,424
44000157	HOT-MIX ASPHALT SURFACE REMOVAL, 2"	SQ YD	21,643
44200180	PAVEMENT PATCHING, TYPE II, 15 INCH	SQ YD	100
44200184	PAVEMENT PATCHING, TYPE III, 15 INCH	SQ YD	100
44200186	PAVEMENT PATCHING, TYPE IV, 15 INCH	SQ YD	500
44213200	SAW CUTS	FOOT	615
48101200	AGGREGATE SHOULDERS, TYPE B	TON	170
48203029	HOT-MIX ASPHALT SHOULDERS, 8"	SQ YD	137
50105220	PIPE CULVERT REMOVAL	FOOT	30
60600095	CLASS SI CONCRETE (OUTLET)	CU YD	12.7

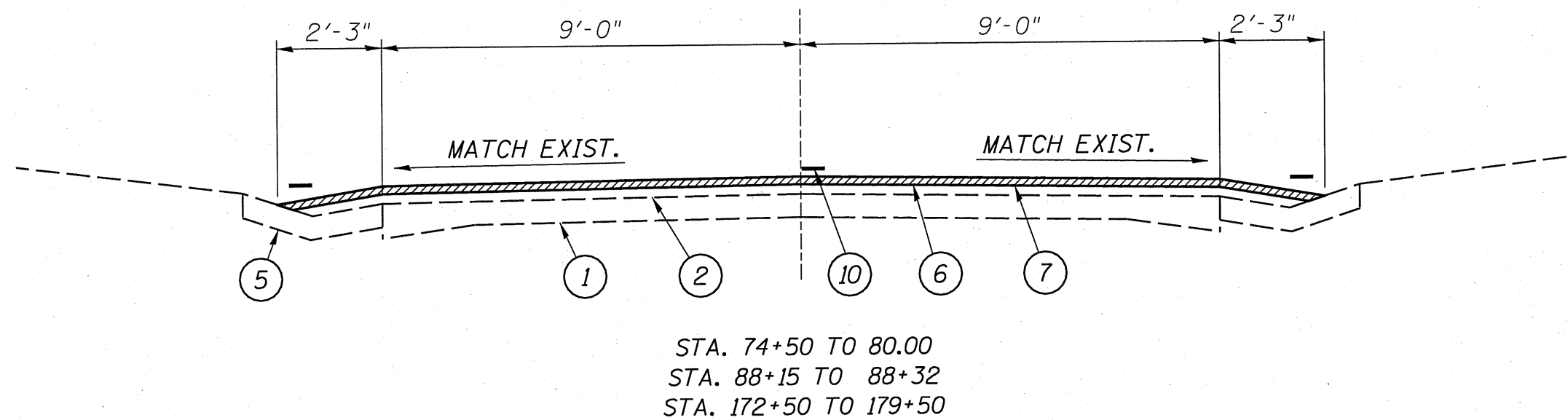
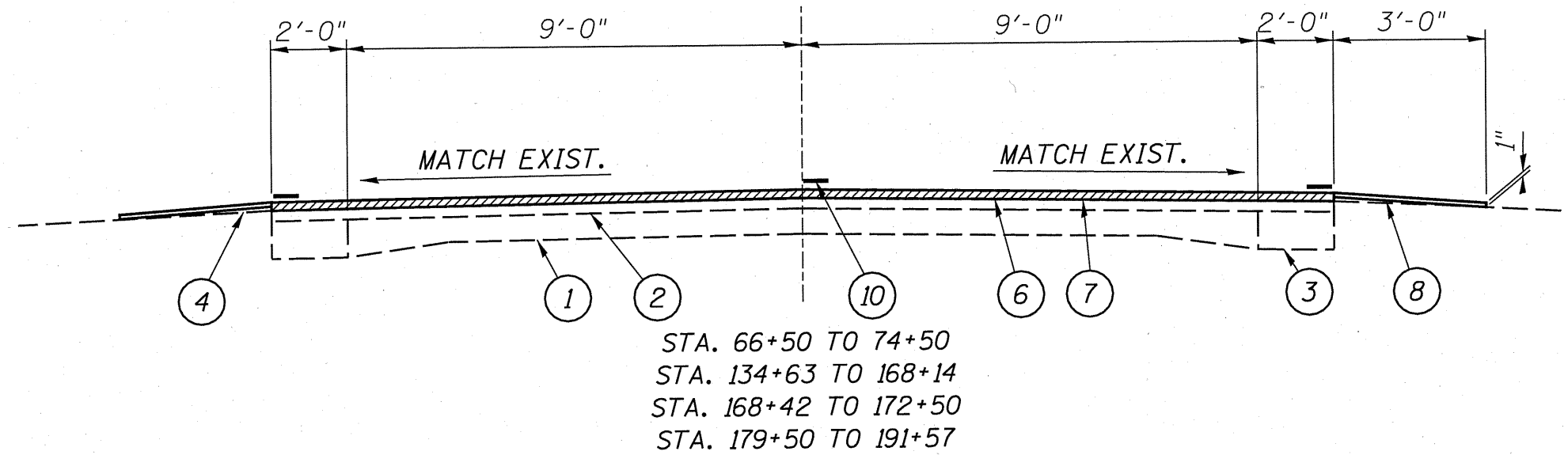
QUANTITIES
SBI 96 (WARSAW SPUR)
SECTION 123 RS-6
HANCOCK COUNTY

S U M M A R Y O F Q U A N T I T I E S

CODE NO.	ITEM	UNIT	100% STATE
			I000
			TOTAL QTY
60602500	CONCRETE GUTTER, TYPE A	FOOT	487
67100100	MOBILIZATION	L SUM	1
70100450	TRAFFIC CONTROL AND PROTECTION , STANDARD 701201	L SUM	1
70100460	TRAFFIC CONTROL AND PROTECTION, STANDARD 701306	L SUM	1
70300100	SHORT-TERM PAVEMENT MARKING	FOOT	1,696
70300230	TEMPORARY PAVEMENT MARKING - LINE 5"	FOOT	25,887
70301000	WORK ZONE PAVEMENT MARKING REMOVAL	SQ FT	283
* 78001120	PAINT PAVEMENT MARKING - LINE 5"	FOOT	25,887
* 78100100	RAISED REFLECTIVE PAVEMENT MARKER	EACH	107
78300200	RAISED REFLECTIVE PAVEMENT MARKER REMOVAL	EACH	107
70100500	TRAFFIC CONTROL AND PROTECTION, STANDARD 701326	L SUM	1
70103815	TRAFFIC CONTROL SURVEILLANCE	CAL DA	3

* SPECIALTY ITEM

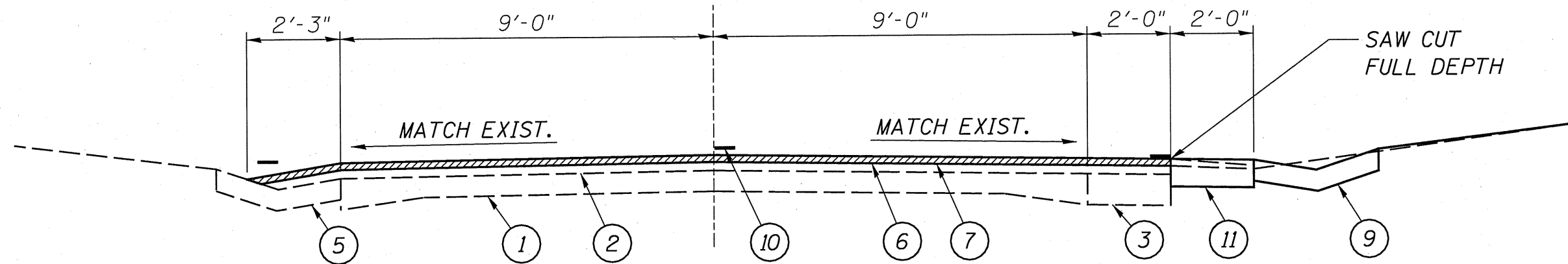
QUANTITIES
SBI 96 (WARSAW SPUR)
SECTION 123 RS-6
HANCOCK COUNTY



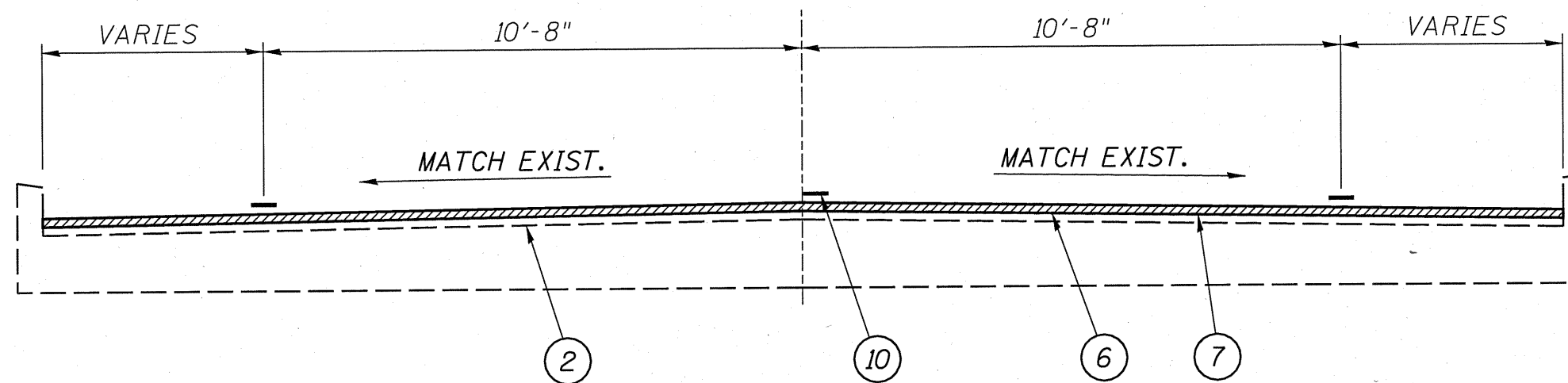
LEGEND

- 1 - EXIST. P.C.C. PAVEMENT
- 2 - EXIST. HOT-MIX ASPHALT SURFACE
- 3 - EXIST. BASE COURSE WIDENING
- 4 - EXIST. AGGREGATE SHOULDERS
- 5 - EXIST. TYPE A GUTTER
- 6 - PROP. HOT-MIX ASPHALT SURFACE REMOVAL 2"
- 7 - PROP. HOT-MIX ASPHALT SURFACE COURSE, MIX C, N50 2"
- 8 - PROP. AGGREGATE SHOULDERS, TYPE B
- 9 - PROP. CONCRETE GUTTER, TYPE A
- 10 - PROP. PAINT PAVEMENT MARKING - LINE 5"
- 11 - PROP. HOT-MIX ASPHALT SHOULDERS, 8"

TYPICALS
SBI 96 (WARSAW SPUR)
SECTION 123 RS-6
HANCOCK COUNTY



STA. 80+00 TO 86+15

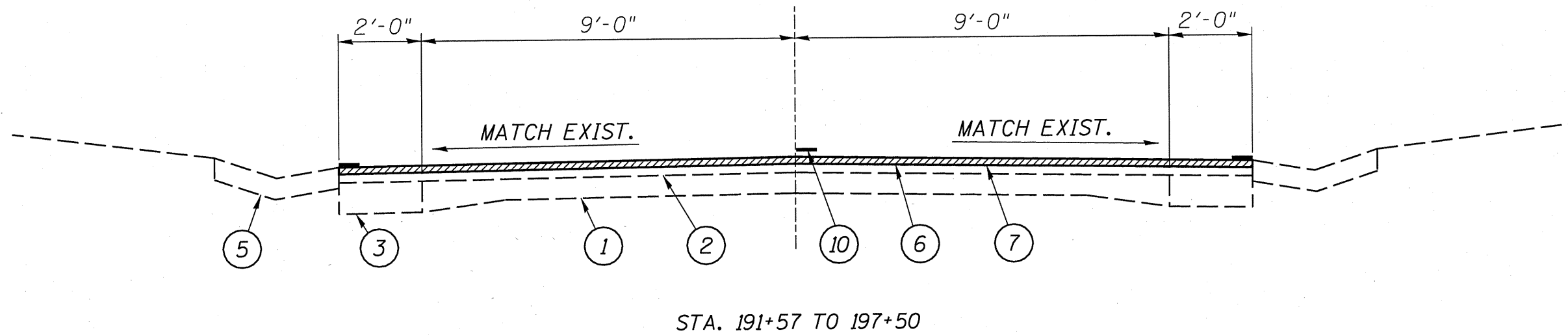


BRIDGE
STA. 168+14 TO 168+42

LEGEND

- 1 - EXIST. P.C.C. PAVEMENT
- 2 - EXIST. HOT-MIX ASPHALT SURFACE
- 3 - EXIST. BASE COURSE WIDENING
- 4 - EXIST. AGGREGATE SHOULDERS
- 5 - EXIST. TYPE A GUTTER
- 6 - PROP. HOT-MIX ASPHALT SURFACE REMOVAL 2"
- 7 - PROP. HOT-MIX ASPHALT SURFACE COURSE, MIX C, N50 2"
- 8 - PROP. AGGREGATE SHOULDERS, TYPE B
- 9 - PROP. CONCRETE GUTTER, TYPE A
- 10 - PROP. PAINT PAVEMENT MARKING - LINE 5"
- 11 - PROP. HOT-MIX ASPHALT SHOULDERS, 8"

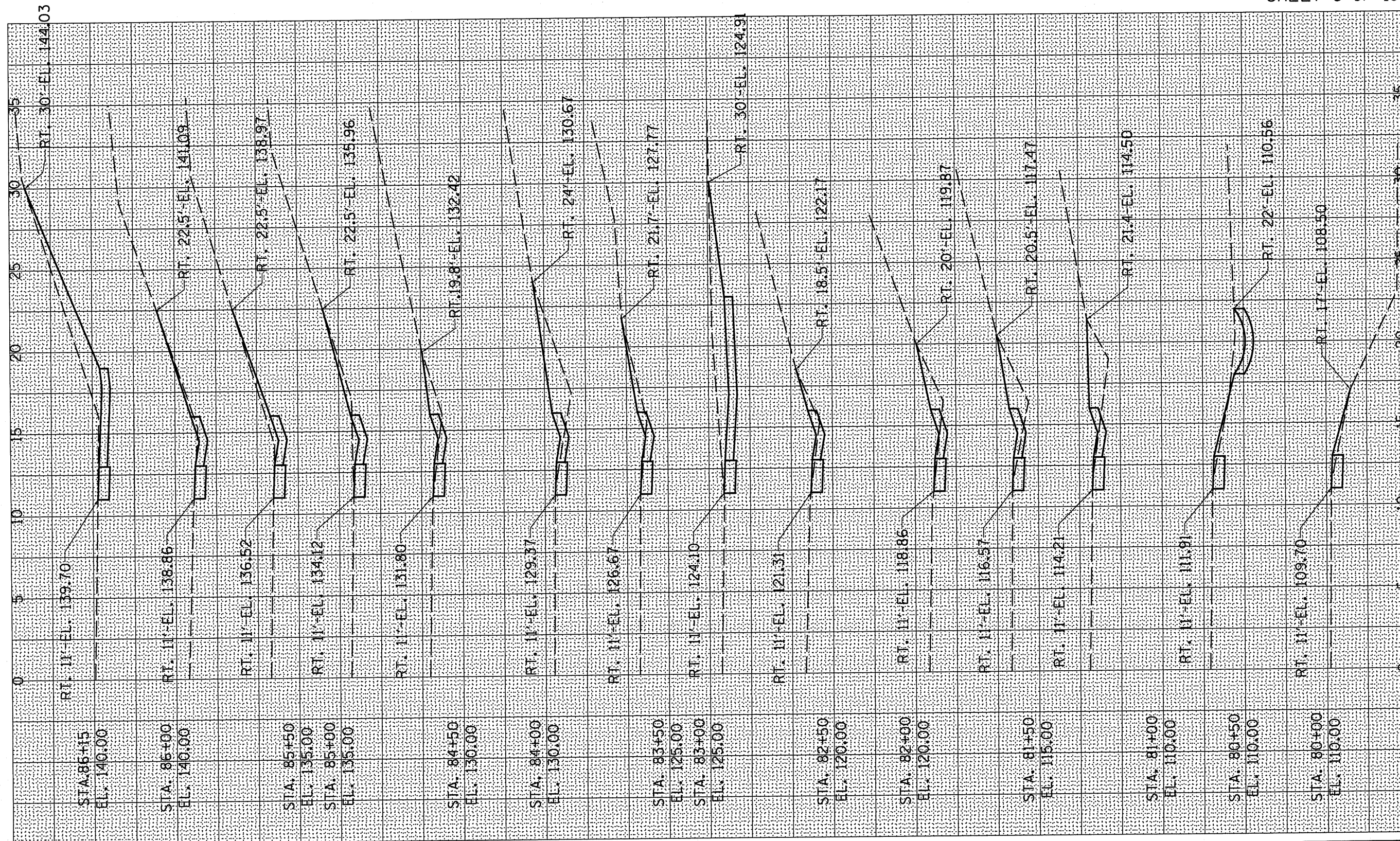
TYPICALS
SBI 96 (WARSAW SPUR)
SECTION 123 RS-6
HANCOCK COUNTY



LEGEND

- 1 - EXIST. P.C.C. PAVEMENT
- 2 - EXIST. HOT-MIX ASPHALT SURFACE
- 3 - EXIST. BASE COURSE WIDENING
- 4 - EXIST. AGGREGATE SHOULDERS
- 5 - EXIST. TYPE A GUTTER
- 6 - PROP. HOT-MIX ASPHALT SURFACE REMOVAL 2"
- 7 - PROP. HOT-MIX ASPHALT SURFACE COURSE, MIX C, N50 2"
- 8 - PROP. AGGREGATE SHOULDERS, TYPE B
- 9 - PROP. CONCRETE GUTTER, TYPE A
- 10 - PROP. PAINT PAVEMENT MARKING - LINE 5"
- 11 - PROP. HOT-MIX ASPHALT SHOULDERS, 8"

TYPICALS
SBI 96 (WARSAW SPUR)
SECTION 123 RS-6
HANCOCK COUNTY



CROSS SECTIONS
SBI 96 (WARSAW SPUR)
SECTION 123 RS-6
HANCOCK COUNTY

PAVEMENT MARKING SCHEDULE

STATION	TYPE	PAINT PVT MK LINE 5"	
		WHITE	YELLOW
LT & RT 66+50 TO 88+32	EDGE LINE	4,364 FT	
RT 66+50 TO 68+16	NO PASS		166 FT
LT 66+50 TO 75+74	NO PASS		924 FT
RT 78+90 TO 88+32	NO PASS		942 FT
68+16 TO 88+32	SKIP DASH		510 FT
LT & RT 134+63 TO 191+57	EDGE LINE	11,388 FT	
LT 134+63 TO 144+78	NO PASS		1,015 FT
RT 164+60 TO 191+57	NO PASS		2,697 FT
LT 174+70 TO 191+57	NO PASS		1,687 FT
134+63 TO 174+70	SKIP DASH		1,000 FT
LT & RT 191+57 TO 197+50	NO PASS		1,194 FT
TOTALS		15,752 FT	10,135 FT

CONCRETE GUTTER, TYPE A				
STATION	CLASS SI CONCRETE OUTLET			CLASS SI GUTTER, TYPE A
	INLET	ENTRANCE	OUTLET	
RT 80+50 TO 80+86			6.8 CU YD	
RT 80+86 TO 82+85				199 FT
RT 82+85 TO 83+15		5.0 CU YD		
RT 83+15 TO 86+03				288 FT
RT 86+03 TO 86+15	0.9 CU YD			
TOTALS		12.7 CU YD		487 FT

HOT-MIX ASPHALT SHOULDERS, 8"	
STATION	
RT 80+00 TO 86+15	137 SQ YD
TOTALS	170.0 TON

SAW CUTS	
STATION	
RT 80+00 TO 86+15	615 LIN FT
TOTALS	615 LIN FT

AGGREGATE SHOULDERS, TYPE B

STATION	
LT & RT 66+50 TO 74+50	30.3 TON
LT 79+00 TO 82+50	6.6 TON
RT 70+00 TO 80+00	1.9 TON
LT & RT 143+85 TO 171+75	105.8 TON
LT 176+50 TO 183+44	13.2 TON
RT 177+32 TO 183+44	11.6 TON
TOTALS	170.0 TON

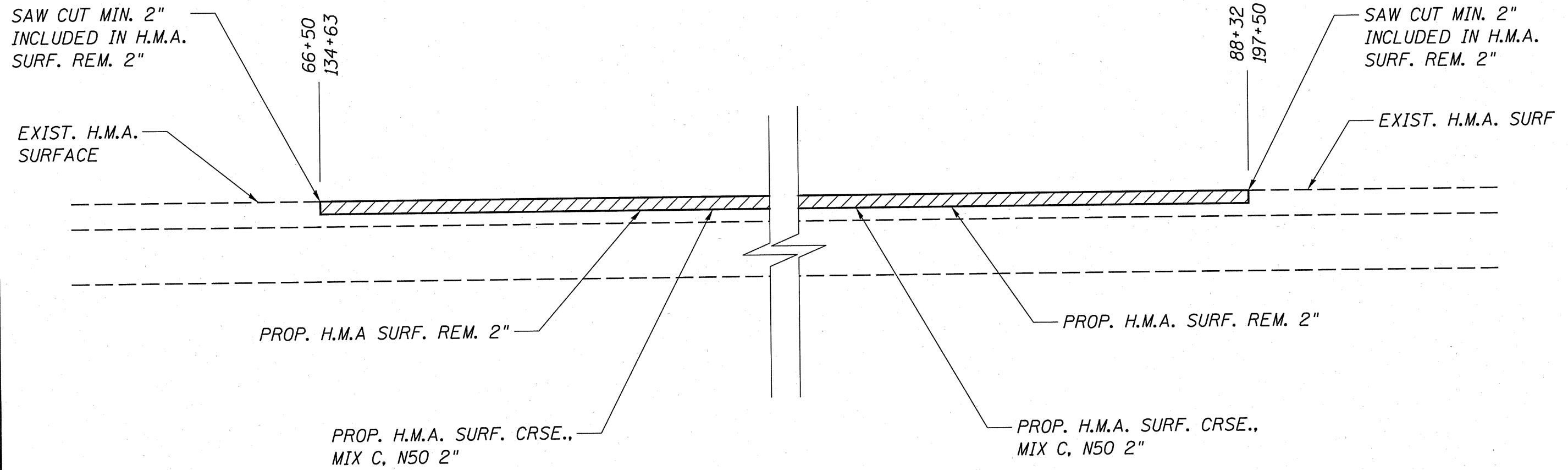
MIXTURE REQUIREMENTS

THE FOLLOWING MIXTURE REQUIREMENTS ARE APPLICABLE FOR THIS PROJECT

MIXTURE USE(S):	H.M.A S.C., MIX C, N50	PAVEMENT PATCHING	H.M.A SHOULDERS, 8"
AC/PG	PG 64-22	PG 64-22	PG 58-22
DESIGN AIR VOIDS:	4.0% @ N DESIGN = 50	4.0% @ N DESIGN = 50	2.0% @ N DESIGN = 30
MIXTURE COMP:	IL 9.5 OR 12.5	IL 19.0	IL 19.0
FRICITION AGG:	MIX "C"	N/A	N/A

NOTES:
STATIONS ARE APPROXIMATE.

SCHEDULES
SBI 96 (WARSAW SPUR)
SECTION 123 RS-6
HANCOCK COUNTY



BUTT JOINT
SBI 96 (WARSAW SPUR)
SECTION 123 RS-6
HANCOCK COUNTY