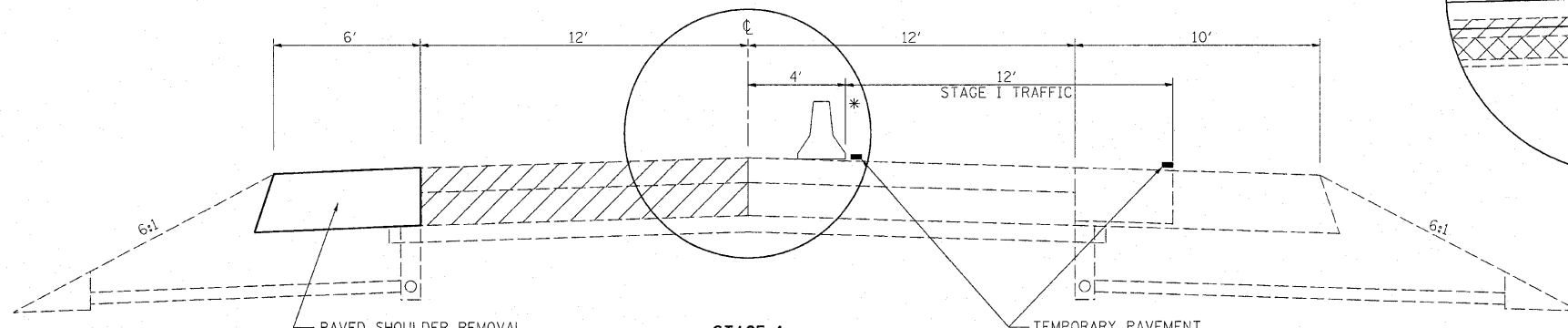


PRE-STAGE 1
 STA 3292+90 TO STA 4337+50
 STA 4426+11 TO STA 4434+36
 STA 4476+37 TO STA 4484+62

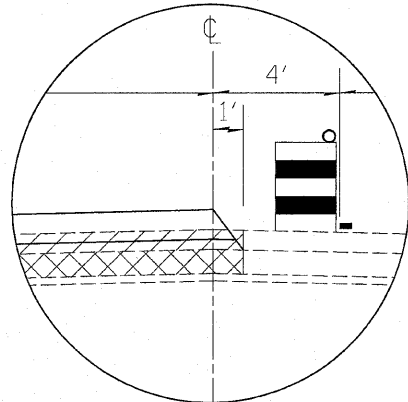
NOTE: WHERE PCC WIDENING EXISTS NEAR BRIDGES, SWITCH TO 2" REMOVAL & REPLACEMENT




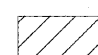
STAGE 1
 STA 3311+20 TO STA 4332+50
 STA 4426+11 TO STA 4434+36
 STA 4476+37 TO STA 4484+62

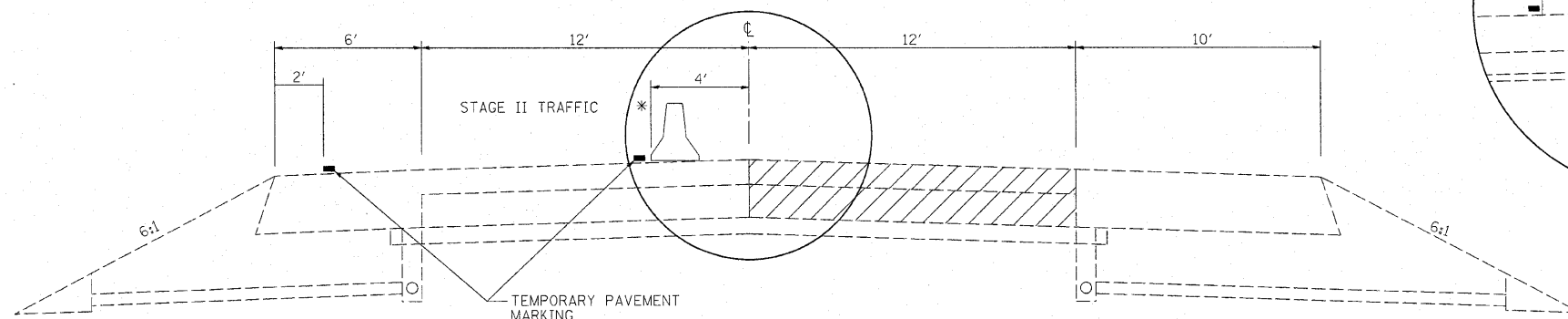
NOTE: WHERE PCC WIDENING EXISTS NEAR BRIDGES, SWITCH TO 2" REMOVAL & REPLACEMENT

TEMPORARY PAVEMENT MARKING



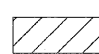
STAGE 1

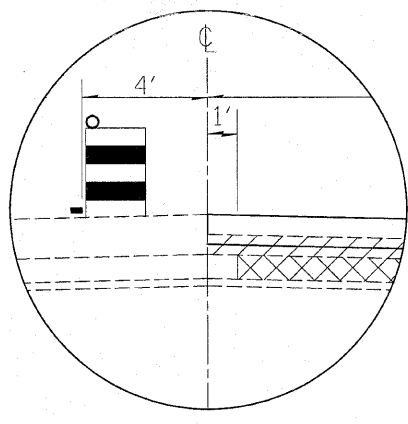
DETAIL FOR RUBBLIZATION AREAS
 RUBBLIZATION
 HMA REMOVAL



STAGE 2
 STA 3311+20 TO STA 4332+50
 STA 4426+11 TO STA 4434+36
 STA 4476+37 TO STA 4484+62

* BARRIER WILL BE USED IN PAVEMENT REPLACEMENT AREAS USING STD 701402.

 RUBBLIZING OR REPLACEMENT



STAGE 2

PRE-STAGE 1 QUANTITIES

STATION TO STATION	LENGTH FT	PAVEMENT MARKING REMOVAL SQ FT	PAVED SHOULDER REMOVAL SQ YD	HMA SHOULDERS, 13" SQ YD
3307+90 TO 3319+29	1139	380	506	506
4199+97 TO 4268+66	6869	2290	3053	3053
4268+66 TO 4270+90	224	75		
4270+90 TO 4287+85	1695	565	753	753
4287+85 TO 4294+64	679	297		
4294+64 TO 4305+85	1121	374	498	498
4305+85 TO 4307+50	165	55		
4307+50 TO 4315+45	795	265	353	353
4326+45 TO 4332+50	605	202	269	269
4332+50 TO 4337+50	500	167	222	222
4426+11 TO 4434+36	825	275	367	367
4476+37 TO 4484+62	825	275	367	367
TOTALS		5718	7054	7054

SHOULDER REPLACEMENT QUANTITIES - STAGE 1

STATION TO STATION	LENGTH FT	PAVED SHOULDER REMOVAL SQ YD	HMA SHOULDERS, 13" SQ YD
3307+90 TO 3319+29	1139	759	759
4199+97 TO 4268+66	6869	4579	4579
4268+66 TO 4270+90	224		
4270+90 TO 4287+85	1695	1130	1130
4287+85 TO 4294+64	679		
4294+64 TO 4305+85	1121	747	747
4305+85 TO 4307+50	165		
4307+50 TO 4315+45	795	530	530
4326+45 TO 4332+50	605	403	403
4332+50 TO 4337+50	500	333	333
4426+11 TO 4434+36	825	550	550
4476+37 TO 4484+62	825	550	550
TOTALS		10581	10581