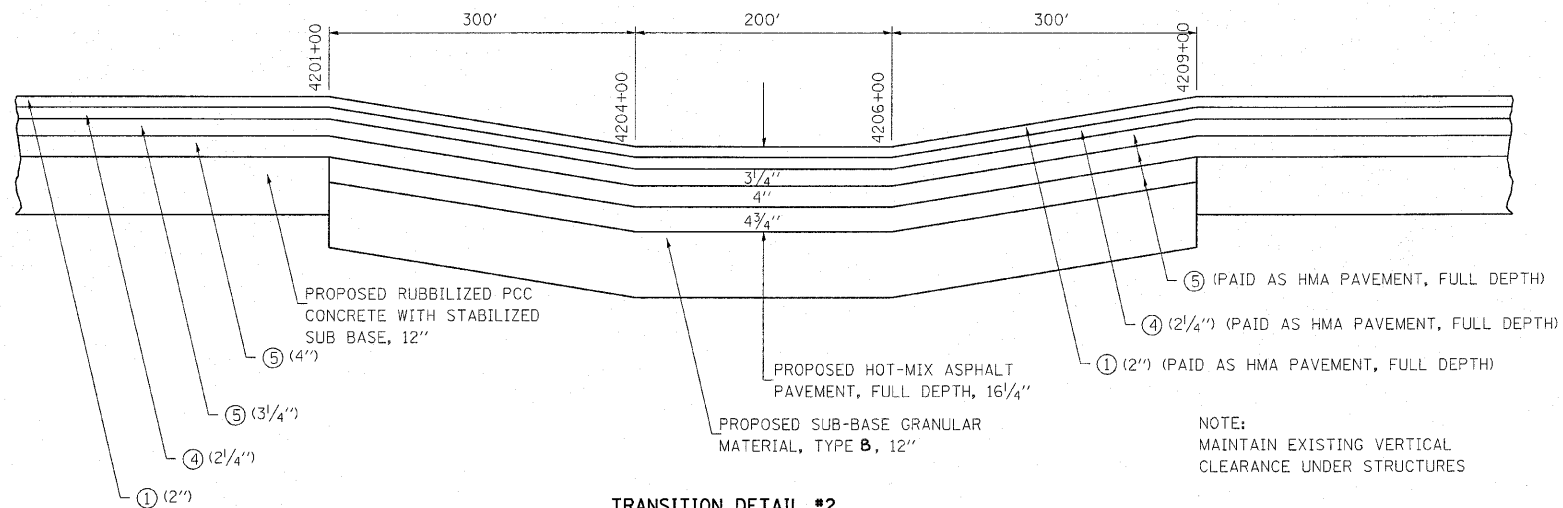
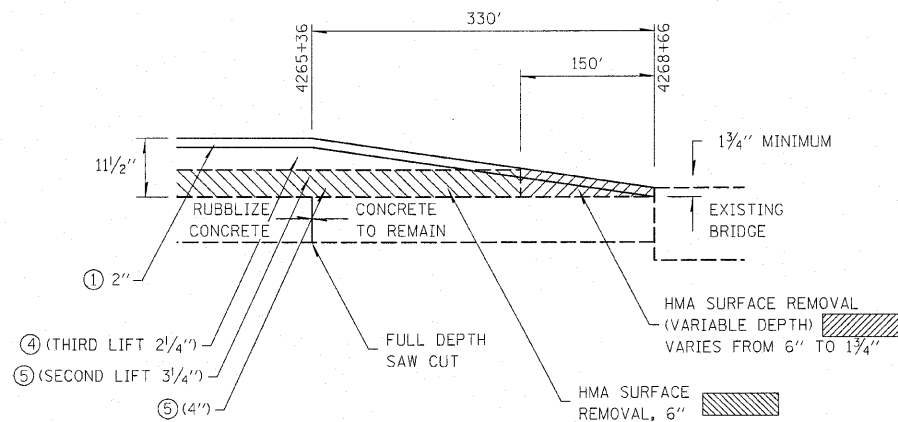


**BUTT JOINT DETAIL #1**

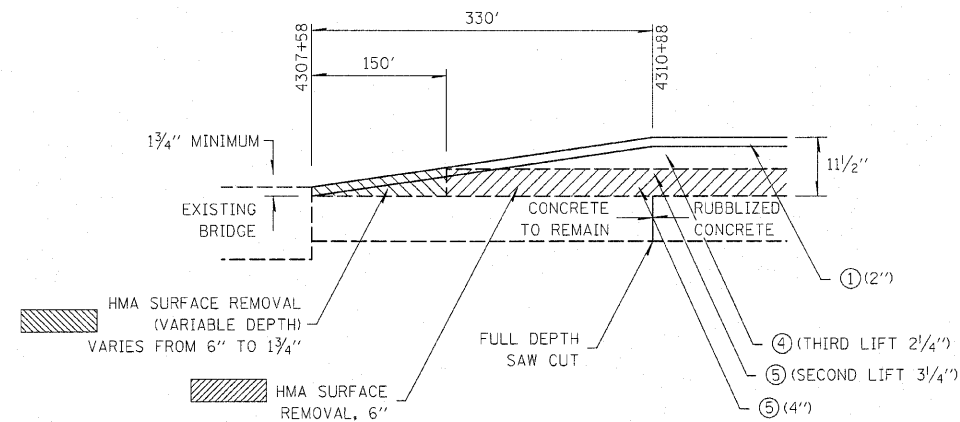


**TRANSITION DETAIL #2**

NOTE:  
MAINTAIN EXISTING VERTICAL CLEARANCE UNDER STRUCTURES

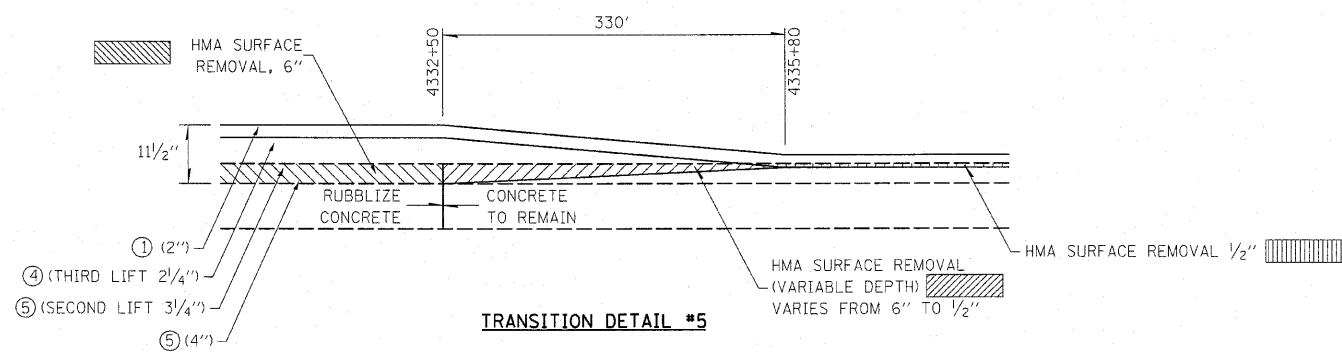


**BUTT JOINT DETAIL #3**

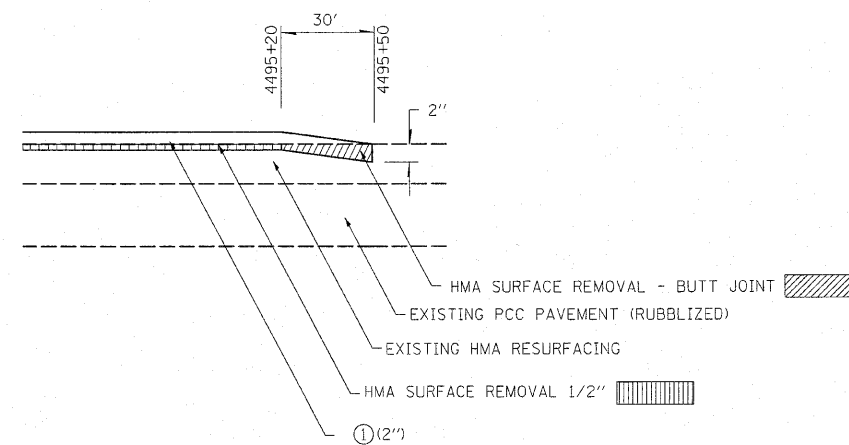


**BUTT JOINT DETAIL #4**

- ① POLYMERIZED HMA SURFACE COURSE, STONE MATRIX ASPHALT, N80
- ④ POLYMERIZED HMA BINDER COURSE, IL-19.0, N105
- ⑤ HMA BINDER COURSE, IL-19.0, N90



**TRANSITION DETAIL #5**



**BUTT JOINT DETAIL #6**

FILE NAME =  
c:\pwwork\pwwork\teeslegck\d0148697\07

USER NAME = teeslegck  
4417-shr-detail.dgn  
PLOT SCALE = 50.0000' / IN.  
PLOT DATE = 10/21/2010

DESIGNED -  
DRAWN -  
CHECKED -  
DATE -

REVISED -  
REVISED -  
REVISED -  
REVISED -

**STATE OF ILLINOIS  
DEPARTMENT OF TRANSPORTATION**

**BUTT JOINT & TRANSITION  
DETAILS**

SCALE: SHEET NO. OF SHEETS STA. TO STA.

F.A.I. RTE.	SECTION	COUNTY	TOTAL SHEETS	SHEET NO.
57	(13-1)R&(25-6-1)R		44	9
ILLINOIS FED. AID PROJECT			CONTRACT NO. 74417	