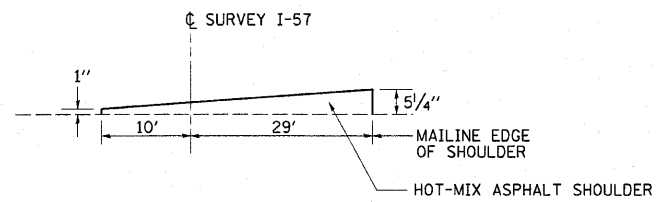
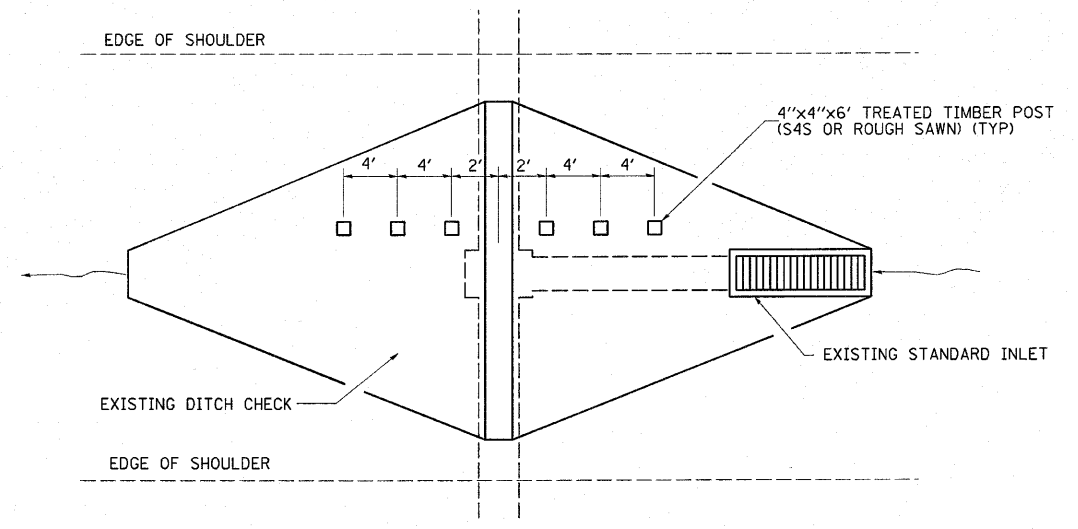


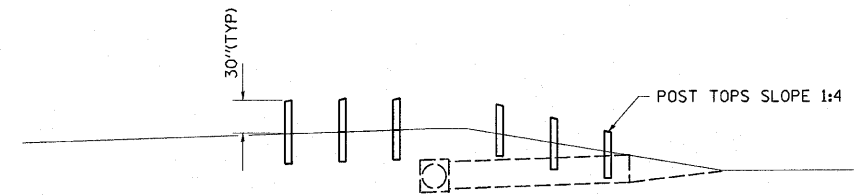
DETAIL OF MEDIAN CROSSOVER



SECTION A-A



PLAN VIEW



PROFILE VIEW

DETAIL OF GUARD POSTS

GUARD POSTS	
MEDIAN STATION	
3310+90	6 EACH
4225+00	6 EACH
4233+25	6 EACH
4249+35	6 EACH
4350+75	6 EACH
4361+40	6 EACH
4399+00	6 EACH
4425+85	6 EACH
4430+14	6 EACH
4451+67	6 EACH
4463+19	6 EACH
4479+40	6 EACH
<b>TOTAL</b>	<b>72 EACH</b>