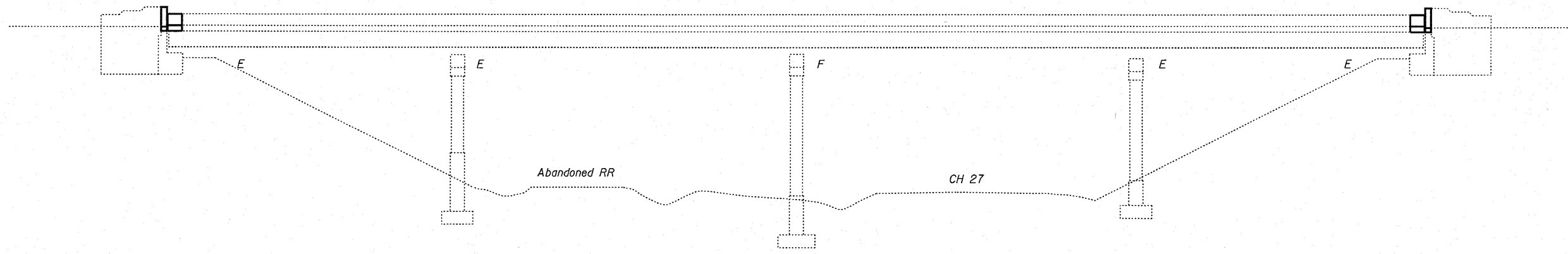
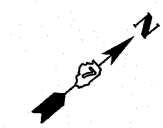
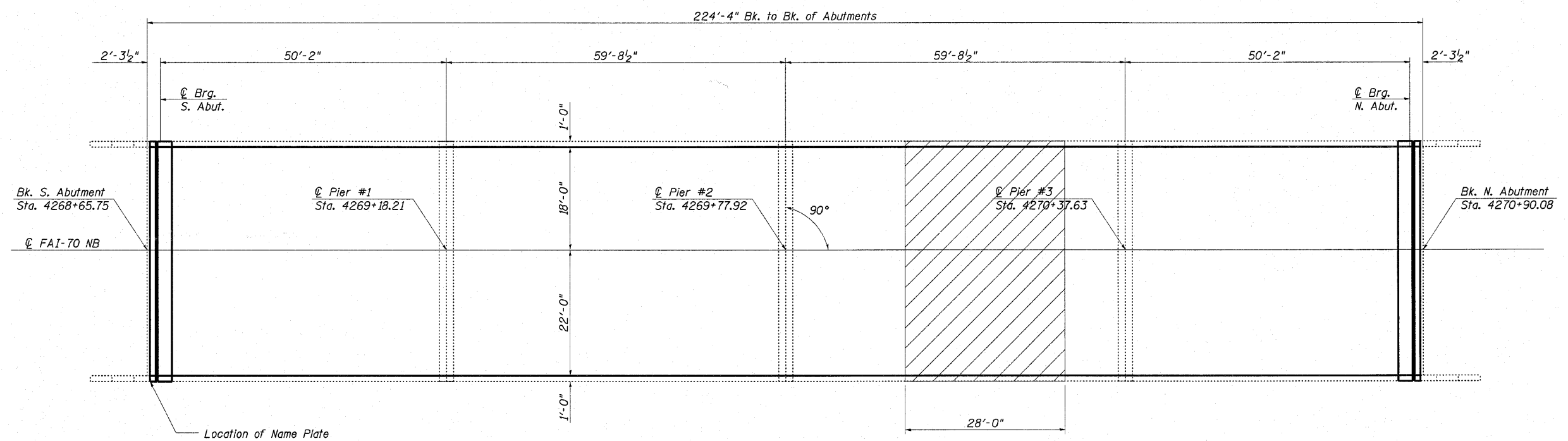


The existing four span continuous steel multi-beam structure was constructed in 1969 as FAI-57 section 25-6HVB-1 at Sta. 4269+39.34. SN. 025-0067 carries FAI-57 (Interstate 57). The proposed project consists of new expansion joints, full depth deck repair, new micorsillica wearing surface, and new deck drains.



ELEVATION



PLAN

LIMITS OF PROTECTIVE SHIELD



Expires 11/30/2012

| | | | | | | | | | | | | |
|---|------------------------------|----------------|-----------|---|--|--------------------------|--------------------------|--------------------|---------------------------|---------------------------|-----------------|--------------|
| FILE NAME = | USER NAME = biermarkl | DESIGNED - KLB | REVISED - | STATE OF ILLINOIS DEPARTMENT OF TRANSPORTATION | GENERAL PLAN & ELEVATION SN. 025-0067 | | | F.A.I. RTE. 57 | SECTION (13-1)R&(25-6-1)R | COUNTY | TOTAL SHEETS 44 | SHEET NO. 23 |
| es:\pwork\puidot\biemarkl\d0148697\074417-shr-brp\brp\brp.f.dgn | PLOT SCALE = 20.0000 1/4 IN. | DRAWN - KLB | REVISED - | | SCALE: _____ | SHEET NO. 1 OF 20 SHEETS | STA. _____ TO STA. _____ | CONTRACT NO. 74417 | | ILLINOIS FED. AID PROJECT | | |
| | PLOT DATE = 10/21/2010 | CHECKED - | REVISED - | | | | | | | | | |
| | | DATE - | REVISED - | | | | | | | | | |

Clay, Effingham