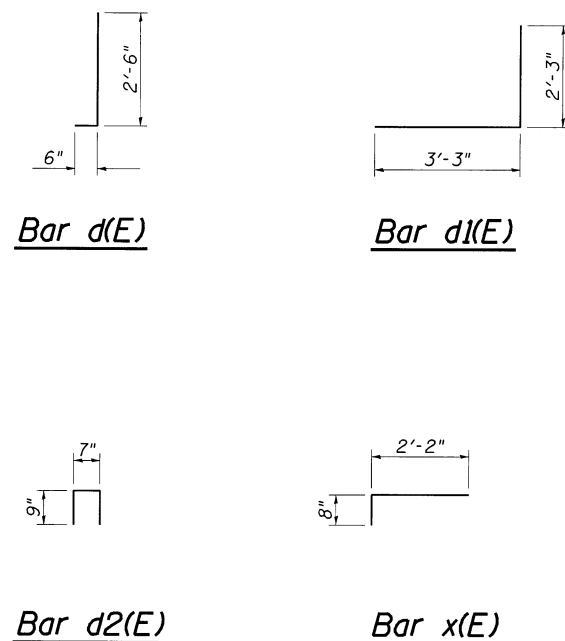
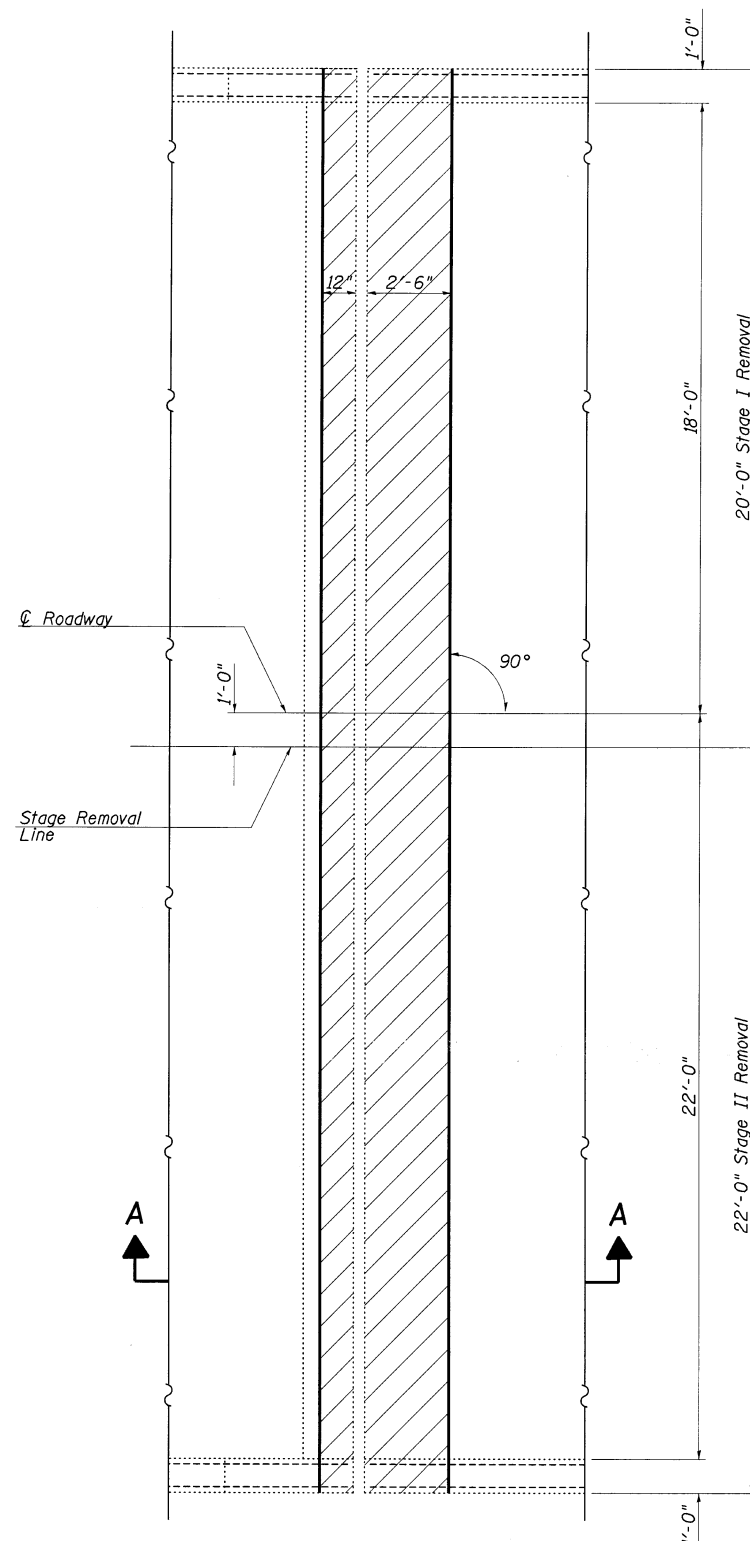


Hatched area indicates removal.

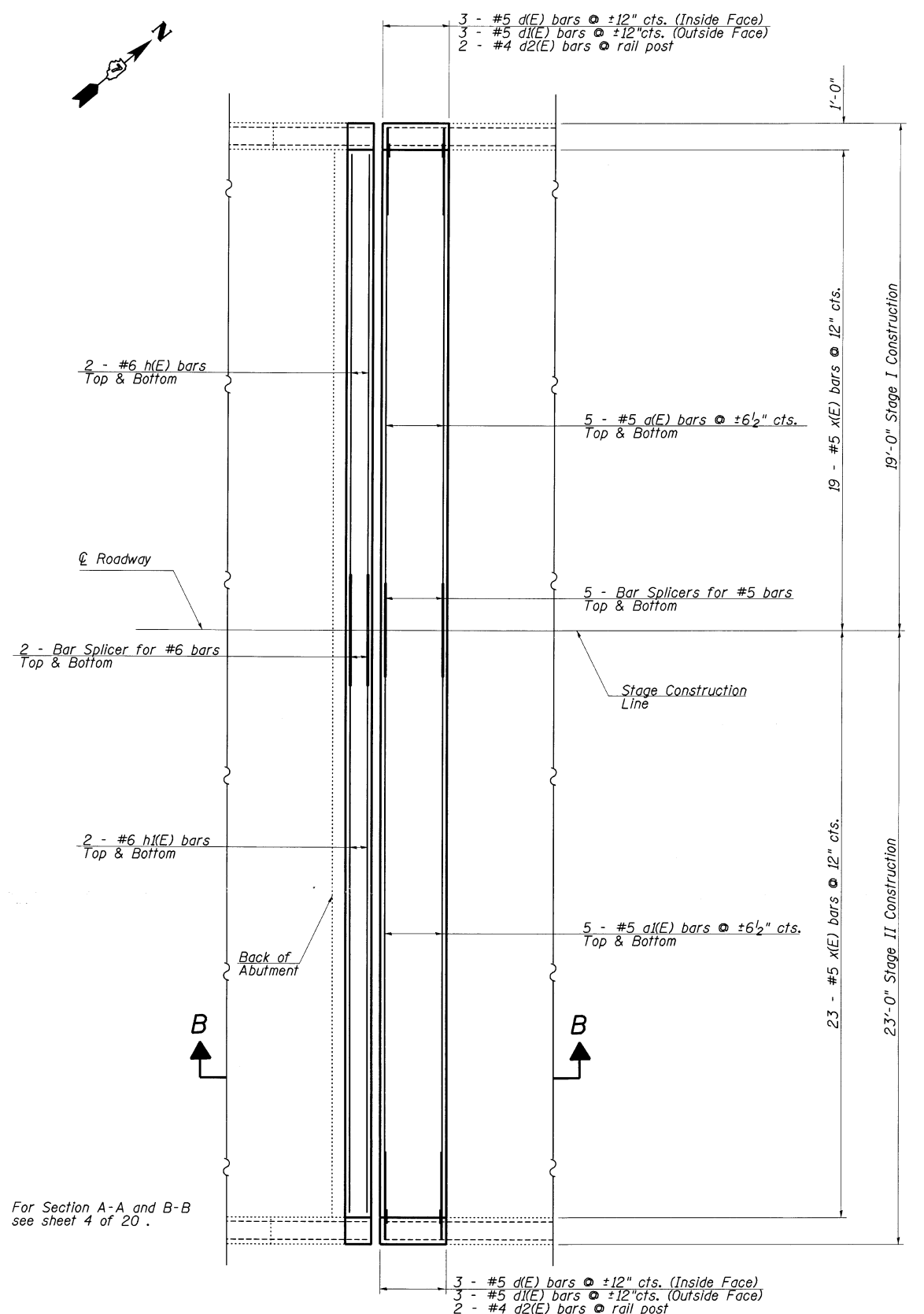


**BILL OF MATERIAL**  
PER ABUTMENT

BAR	NUMBER OF BARS		TOTAL	SIZE	LENGTH	SHAPE
	STAGE I	STAGE II				
a (E)	10		10	#5	18'-8"	—
a1(E)		10	10	#5	22'-8"	—
d (E)	3	3	6	#5	3'-0"	J
d1(E)	3	3	6	#5	5'-6"	J
d2(E)	2	2	4	#4	2'-1"	□
h (E)	4		4	#6	17'-8"	—
h1(E)		4	4	#6	21'-8"	—
x (E)	19	23	42	#5	2'-10"	—
REINFORCEMENT BARS (EPOXY COATED)					POUND	850
CONCRETE REMOVAL					CU YD	6.05
CONCRETE SUPERSTRUCTURE					CU YD	6.1



**EXISTING PARTIAL PLAN**  
(South Abutment shown; North Abutment similar)



**PROPOSED PARTIAL PLAN**  
(South Abutment shown; North Abutment similar)

For Section A-A and B-B see sheet 4 of 20.