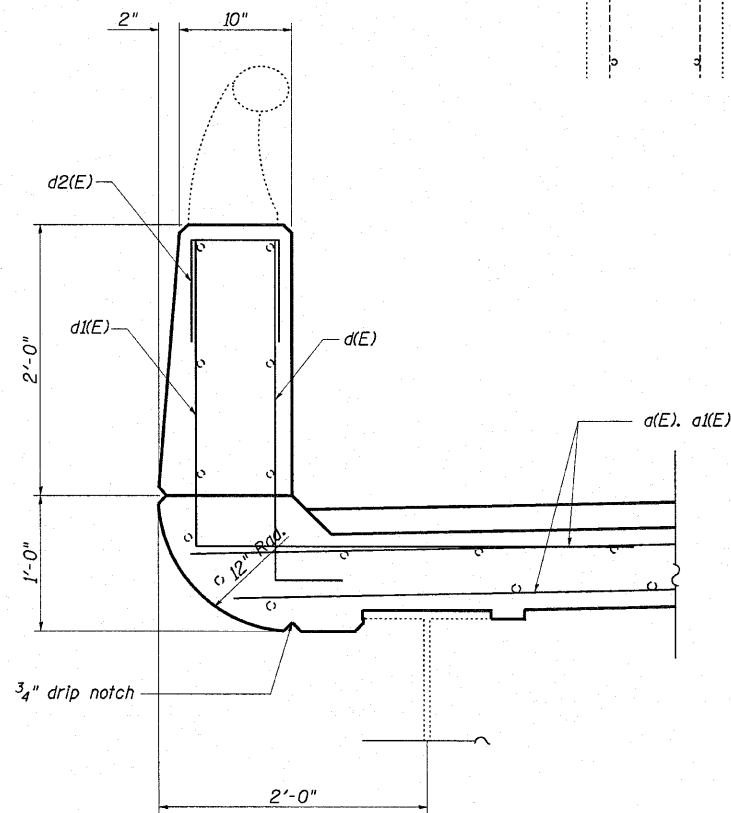
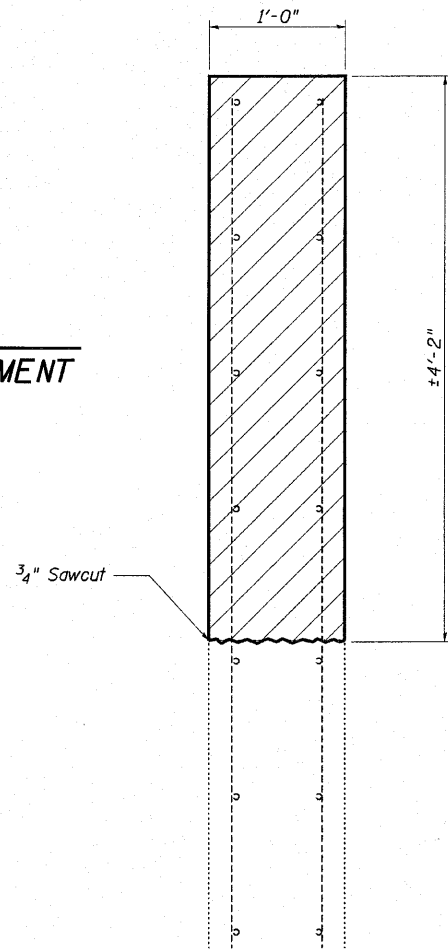
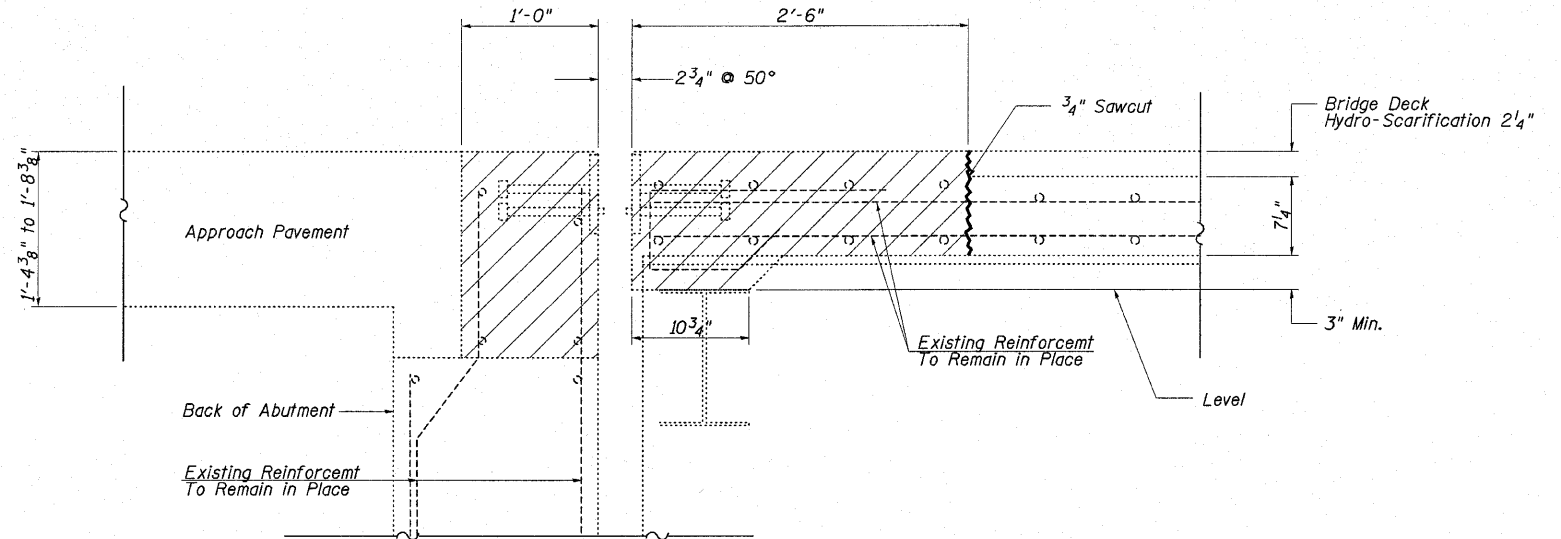


**TYPICAL WINGWALL
REMOVAL AND REPLACEMENT**



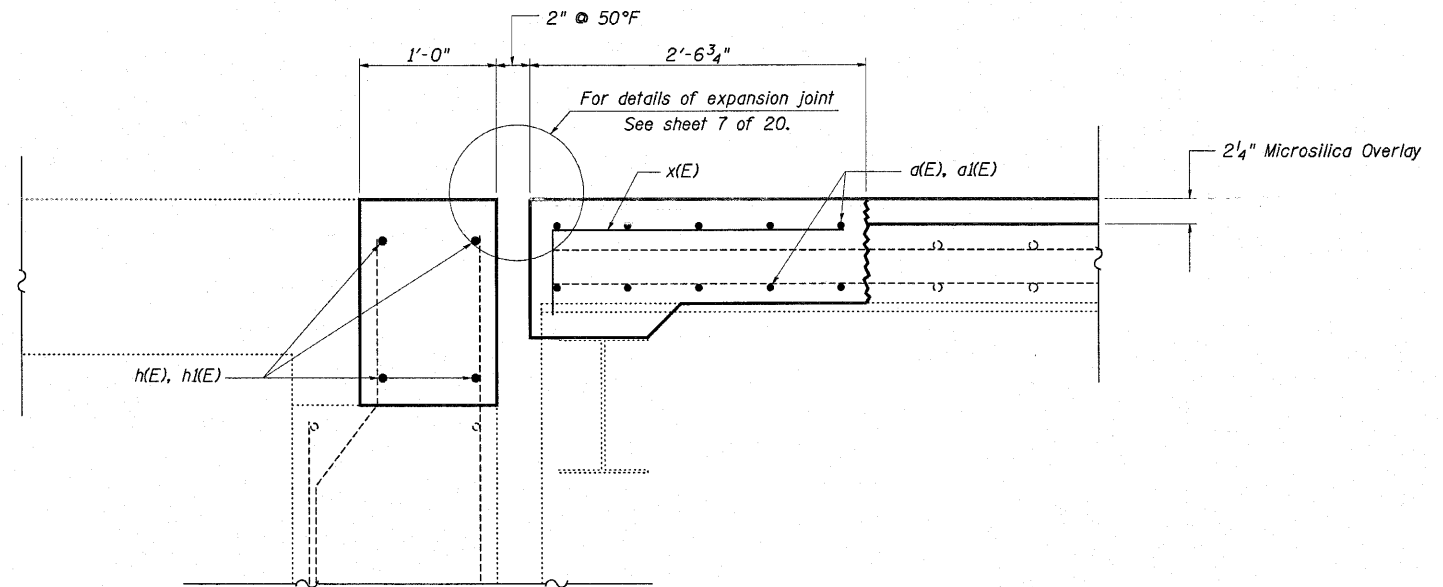
SECTION THRU PARAPET

Hatched area indicates removal.



SECTION A-A
(Dimensions at Rt. L's to end of deck)

○ Existing Reinforcement
● Proposed Reinforcement



SECTION B-B
(Dimensions at Rt. L's to end of deck)

FILE NAME =	USER NAME = bstermark1	DESIGNED - KLB	REVISED -	STATE OF ILLINOIS DEPARTMENT OF TRANSPORTATION	EXPANSION JOINT REPLACEMENT DETAILS SN. 025-0067		F.A.I. RTE.	SECTION	COUNTY	TOTAL SHEETS	SHEET NO.
es:\pwork\pwork\stermark1\00148697\07	417-sht-brdeta11s.dgn	DRAWN - KLB	REVISED -		57	(13-1)R&(25-6-1)R		44	26		
	PLOT SCALE = 28.0000 / IN.	CHECKED -	REVISED -		SCALE: _____ SHEET NO. 4 OF 20 SHEETS STA. _____ TO STA. _____		CONTRACT NO. 74417		ILLINOIS FED. AID PROJECT		
	PLOT DATE = 10/21/2010	DATE -	REVISED -		Clay, Effingham						