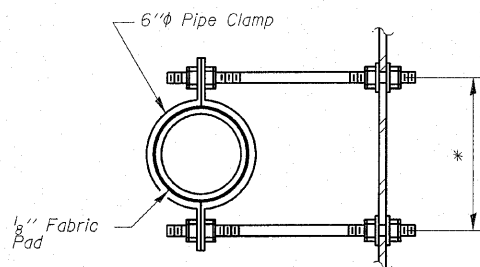
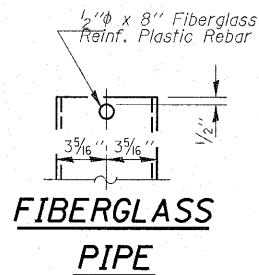


\* Dimension as required by Pipe Clamp

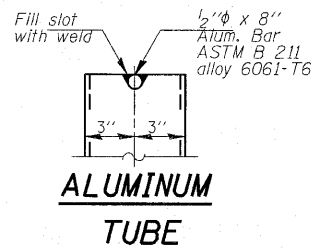


**SECTION A-A**

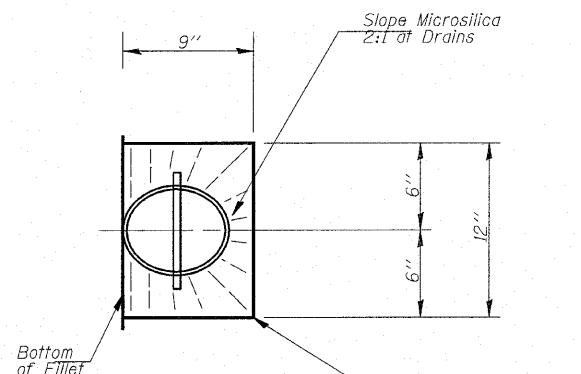


**FIBERGLASS PIPE**

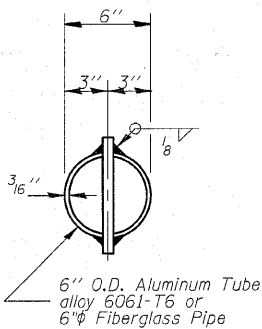
\*\* Concrete removal and replacement dimensions shall be determined by the Engineer based on the extent of deck deterioration at each drain.



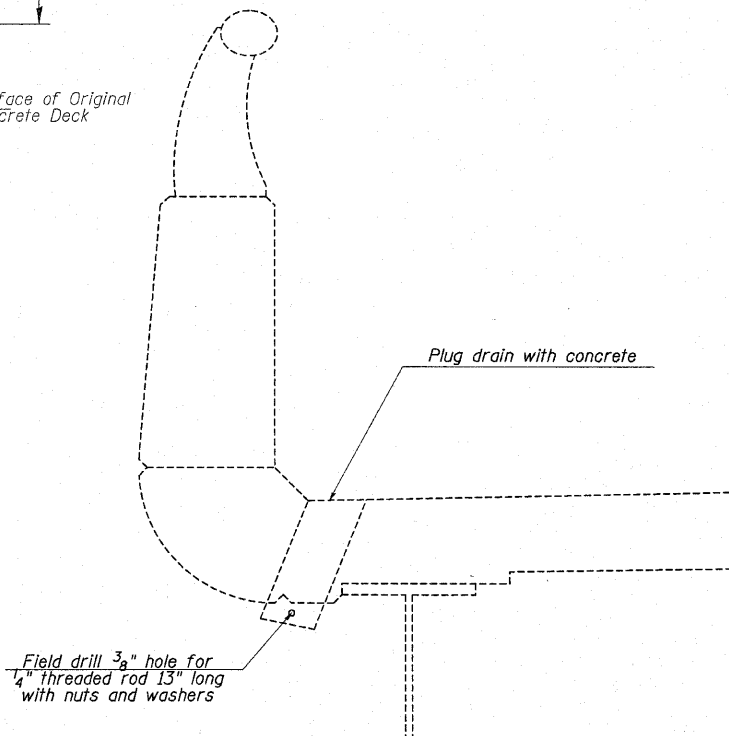
**ALUMINUM TUBE**



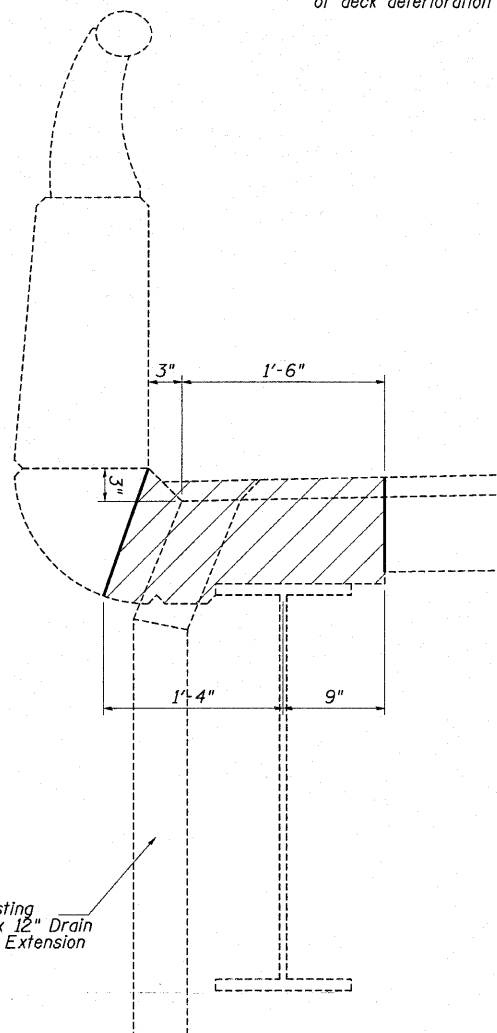
**TOP PLAN**



**TOP PLAN**  
(Showing Aluminum Tube)



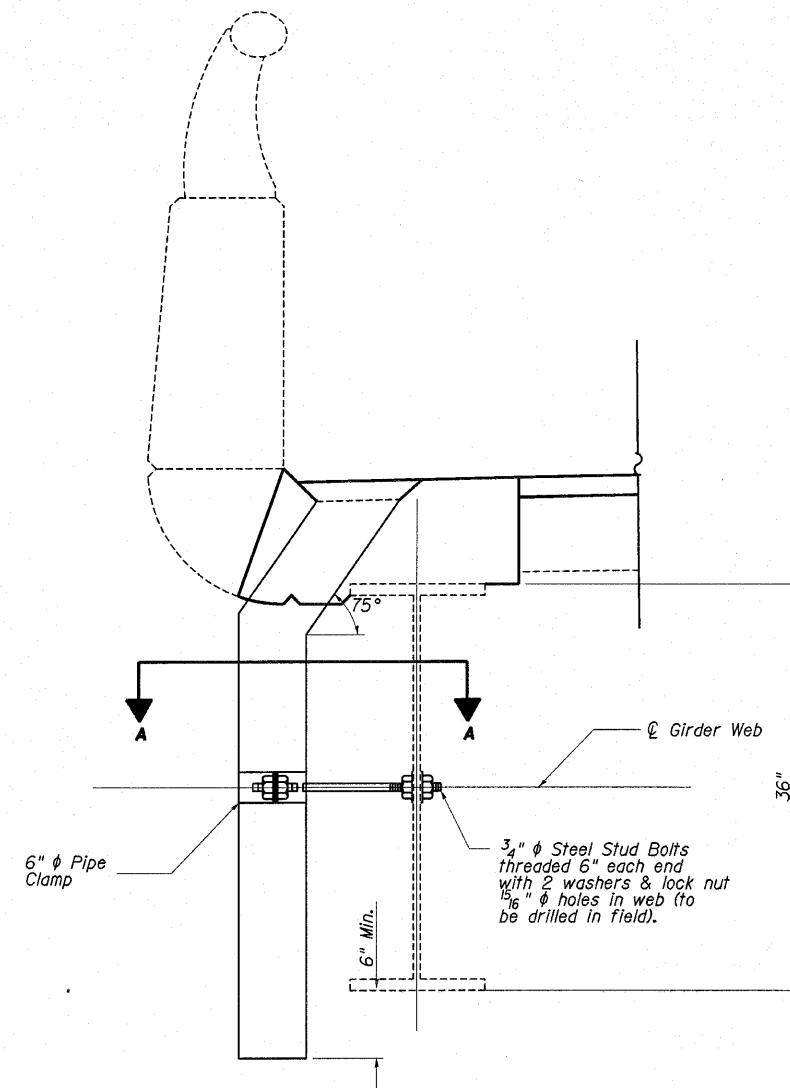
**DRAINS TO BE PLUGGED DETAIL**



**SECTION THRU EXISTING FLOOR DRAIN**

Hatched area indicates concrete removal at floor drain replacement.

Note: Concrete removal and replacement quantities for drains are included in Deck Slab Repair as shown on "Bridge Deck Patching" plan sheets.



**DRAIN REPLACEMENT DETAIL**

Note: See "Bridge Deck Patching" plan sheets for Floor Drain replacement location and Plug Existing Deck Drain locations. See "Total Bill of Materials" for each structure for quantities.

Notes: The floor drains shall be painted to match the outside of the fascia beams. Fiberglass pipe shall conform to ASTM D 2996, with short-time rupture strength hoop tensile stress of 30,000 p.s.i. minimum. Galvanize clamping device according to AASHTO M232. Cost of clamping device and galvanizing is included with Floor Drains.

FILE NAME =	USER NAME = bstermarkl	DESIGNED - KLB	REVISED -	<b>STATE OF ILLINOIS DEPARTMENT OF TRANSPORTATION</b>	<b>FLOOR DRAIN DETAILS SN. 025-0067</b>			F.A.L. RTE.	SECTION	COUNTY	TOTAL SHEETS	SHEET NO.
ea:\pwork\pwork\dst\bstermarkl\d0148697\07417-sht-brdetails.dgn		DRAWN - KLB	REVISED -		57	(13-1)R&(25-6-UR		44	27			
PLOT SCALE = 20,0000 1/ IN.		CHECKED -	REVISED -		CONTRACT NO. 74417			ILLINOIS FED. AID PROJECT				
PLOT DATE = 10/21/2010		DATE -	REVISED -		SCALE: _____	SHEET NO. 5 OF 20 SHEETS	STA. _____ TO STA. _____					