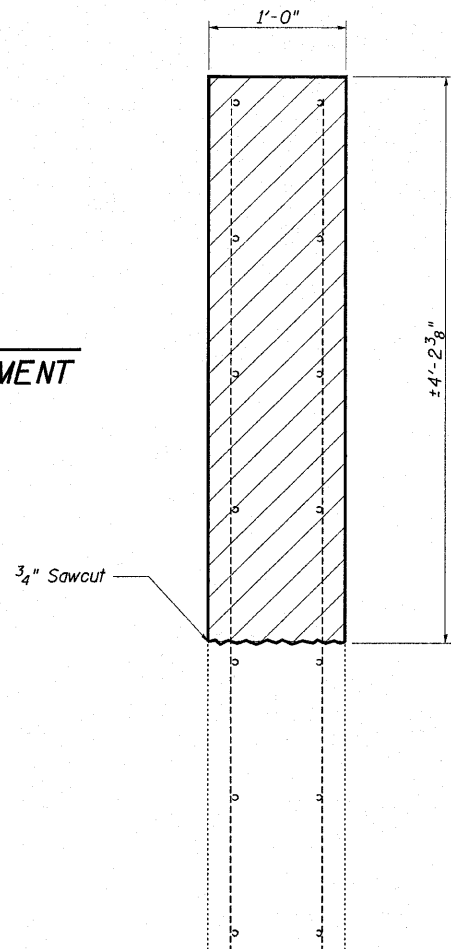
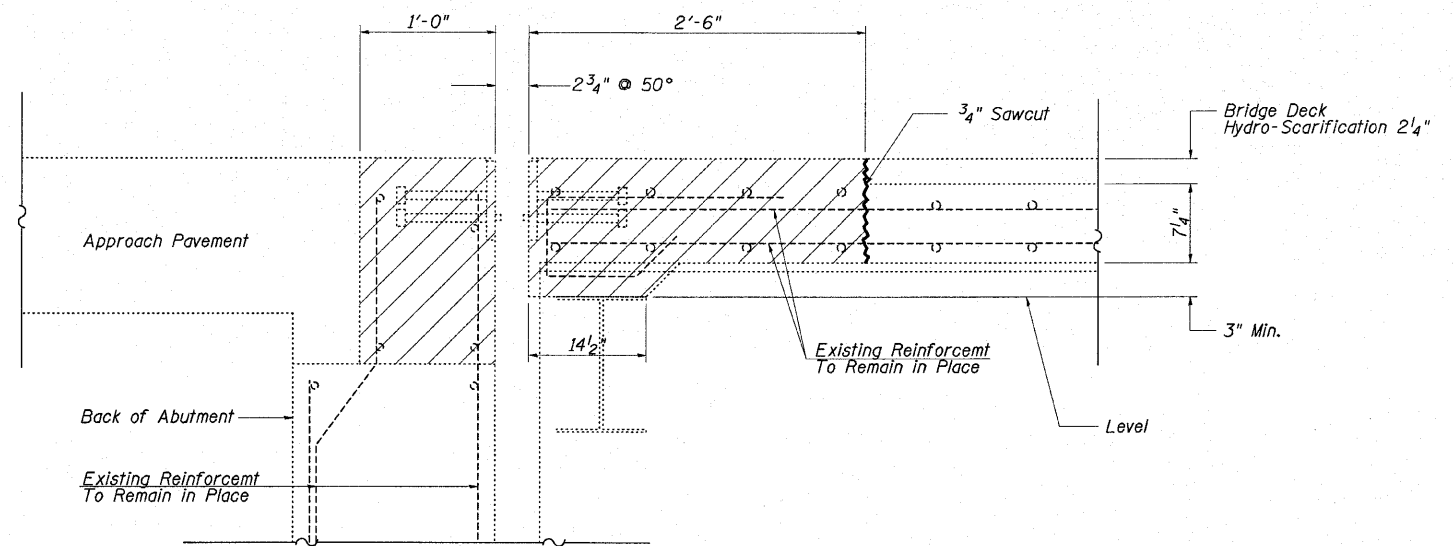


**TYPICAL WINGWALL
REMOVAL AND REPLACEMENT**

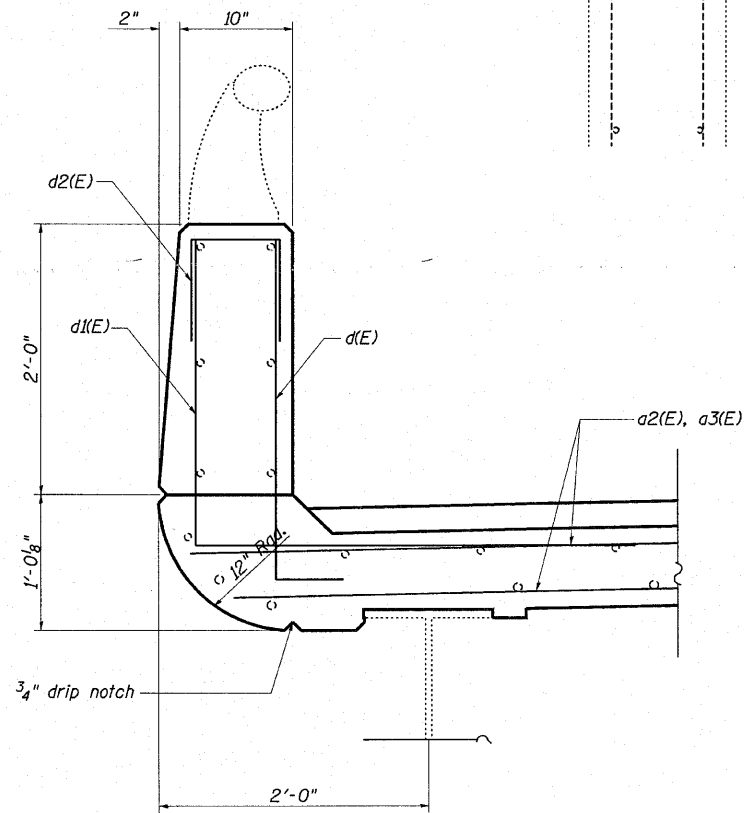


Hatched area indicates removal.

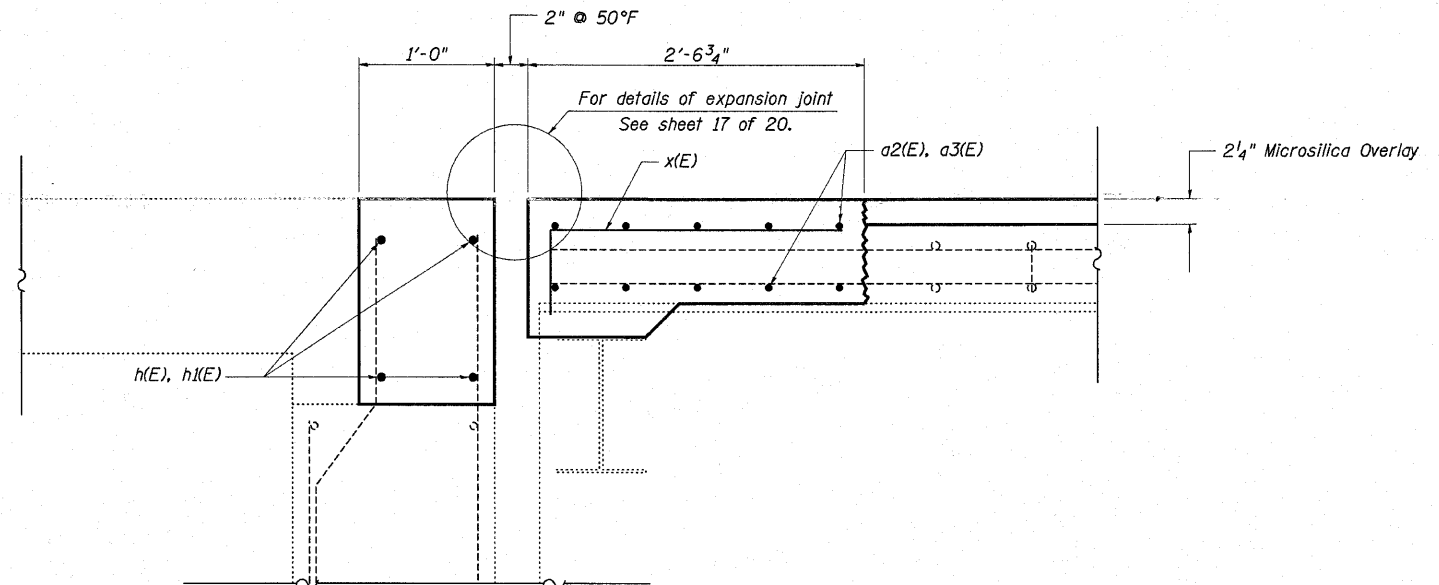


SECTION A-A
(Dimensions at RT L's to end of deck)

- Existing Reinforcement
- Proposed Reinforcement



SECTION THRU PARAPET



SECTION B-B
(Dimensions at RT L's to end of deck)

FILE NAME =	USER NAME = biermark1	DESIGNED -	REVISED -	STATE OF ILLINOIS DEPARTMENT OF TRANSPORTATION	EXPANSION JOINT REPLACEMENT DETAILS SN. 025-0069			F.A.L. RTE.	SECTION	COUNTY	TOTAL SHEETS	SHEET NO.
es:\pw_work\pwwidot\biermark1\02148697\07	417-shit-brdetails.dgn	DRAWN -	REVISED -					57	(13-1)R&(25-6-1)R		44	36
PLOT SCALE = 20.0000' / IN.		CHECKED -	REVISED -		CONTRACT NO. 14417							
PLOT DATE = 10/21/2010		DATE -	REVISED -		ILLINOIS FED. AID PROJECT							
					SCALE:	SHEET NO. 14 OF 20 SHEETS	STA. _____ TO STA. _____	• Clay, Effingham				