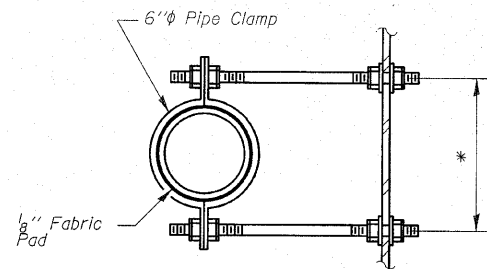
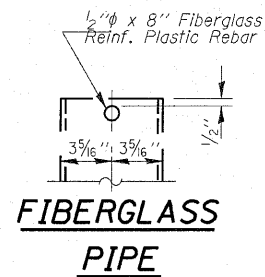


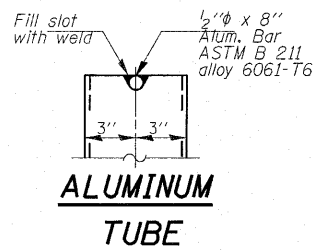
* Dimension as required by Pipe Clamp



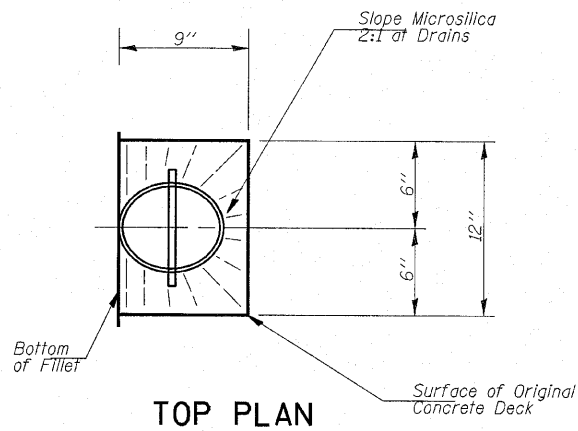
SECTION A-A



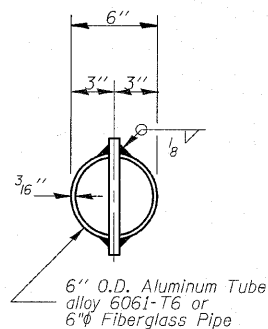
FIBERGLASS PIPE



ALUMINUM TUBE



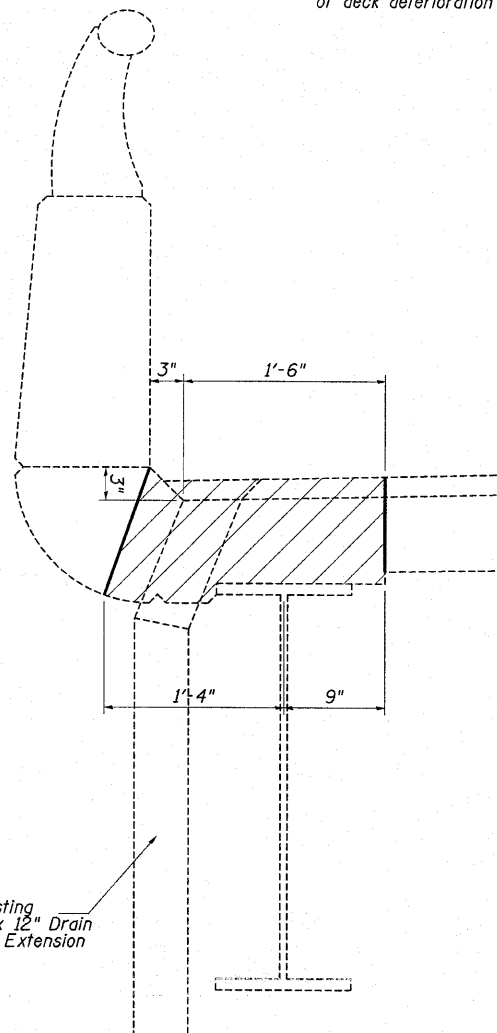
TOP PLAN



TOP PLAN

(Showing Aluminum Tube)

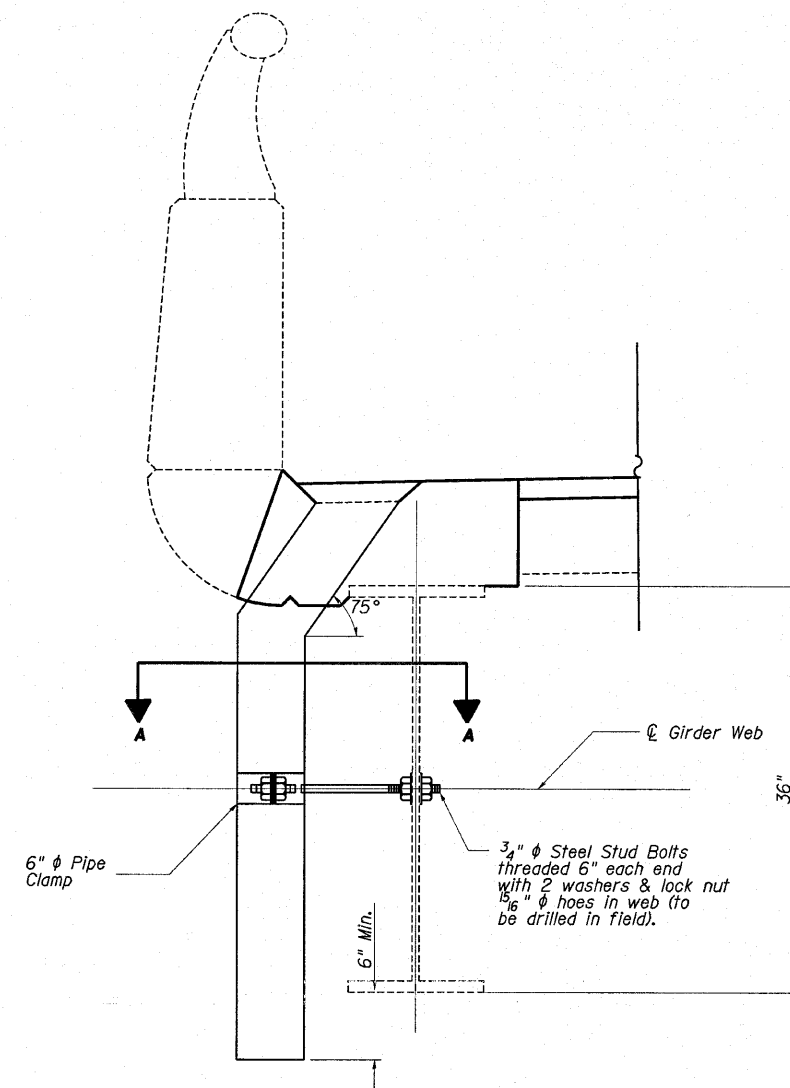
** Concrete removal and replacement dimensions shall be determined by the Engineer based on the extent of deck deterioration at each drain.



**** SECTION THRU EXISTING FLOOR DRAIN**

Hatched area indicates concrete removal at floor drain replacement.

Note: Concrete removal and replacement quantities for drains are included in Deck Slab Repair as shown on "Bridge Deck Patching" plan sheets.



DRAIN REPLACEMENT DETAIL

Note: See "Bridge Deck Patching" plan sheets for Floor Drain replacement location and Plug Existing Deck Drain locations. See "Total Bill of Materials" for each structure for quantities.

Notes: The floor drains shall be painted to match the outside of the fascia beams. Fiberglass pipe shall conform to ASTM D 2996, with short-time rupture strength hoop tensile stress of 30,000 p.s.i. minimum. Galvanize clamping device according to AASHTO M232. Cost of clamping device and galvanizing is included with Floor Drains.

FILE NAME =	USER NAME = bsermarkl	DESIGNED -	REVISED -	STATE OF ILLINOIS DEPARTMENT OF TRANSPORTATION	FLOOR DRAIN DETAILS SN. 025-0069	F.A.I. RTE.	SECTION	COUNTY	TOTAL SHEETS	SHEET NO.
ar\pv_work\pvidot\bsermarkl\d0148697\07	417-shit-brdetails.dgn	DRAWN -	REVISED -			57	(13-1R&125-6-1R)		44	37
PLOT SCALE = 20.0000' / IN.		CHECKED -	REVISED -			CONTRACT NO. T4417				
PLOT DATE = 10/21/2010		DATE -	REVISED -			SCALE: _____	SHEET NO. 15 OF 20 SHEETS	STA. _____ TO STA. _____	ILLINOIS FED. AID PROJECT	