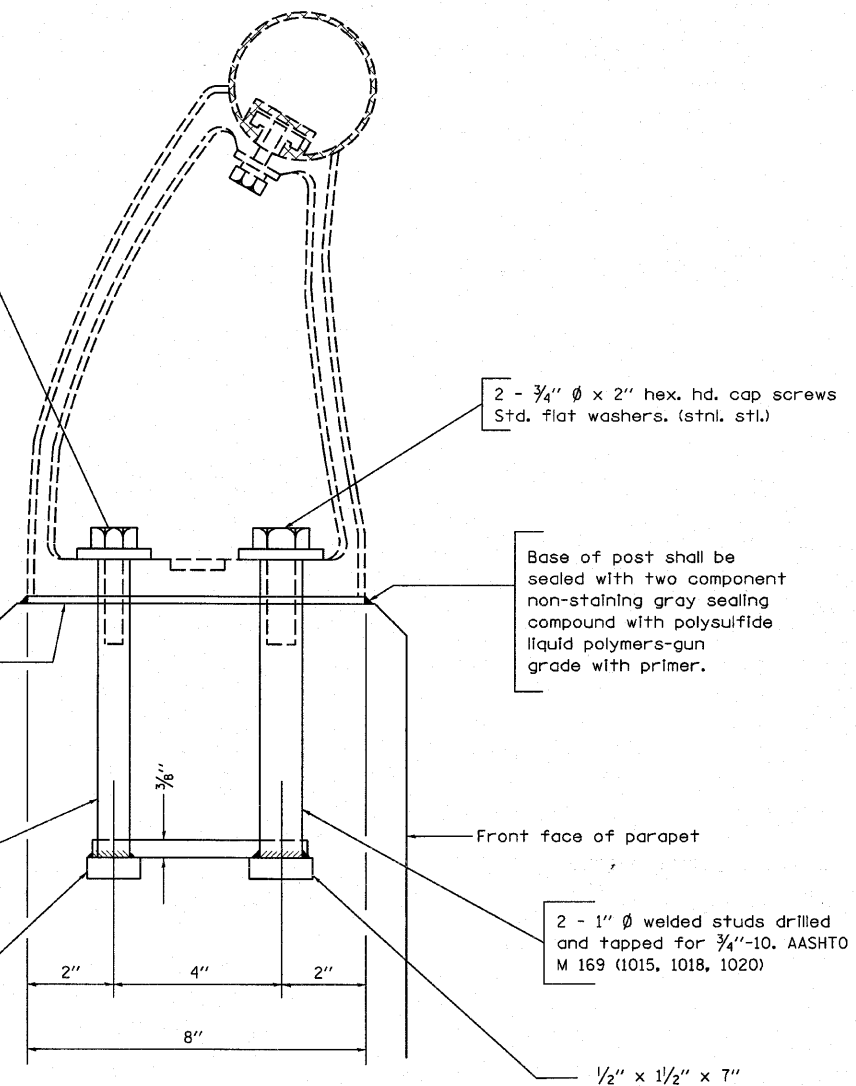


2 - 1/2"  $\phi$  x 1 3/4" hex. hd. cap screws  
Std. flat washers. (stnl. stl.)

1/8" Fabric Bearing Pad

2 - 3/4"  $\phi$  welded studs drilled  
and tapped for 1/2"-13. AASHTO  
M 169 (1015, 1018, 1020)

3/8" x 1/4" x 7"



2 - 3/4"  $\phi$  x 2" hex. hd. cap screws  
Std. flat washers. (stnl. stl.)

Base of post shall be  
sealed with two component  
non-staining gray sealing  
compound with polysulfide  
liquid polymers-gun  
grade with primer.

Front face of parapet

2 - 1"  $\phi$  welded studs drilled  
and tapped for 1/2"-13. AASHTO  
M 169 (1015, 1018, 1020)

1/2" x 1/2" x 7"

Note: New Rail Post anchorage devices will be required at each location where posts are connected to new construction. Cost shall be included with Concrete Superstructure.

FILE NAME =	USER NAME = biermark1	DESIGNED -	REVISD -
c:\pwork\pwork\dot\biermark1\08148697\07	417-sht-brdetail.s.dgn	DRAWN -	REVISD -
	PLOT SCALE = 20.0000 "/ IN.	CHECKED -	REVISD -
	PLOT DATE = 10/21/2010	DATE -	REVISD -

STATE OF ILLINOIS  
DEPARTMENT OF TRANSPORTATION

RAIL SUPPORT ANCHOR DETAILS  
SN. 025-0069

SCALE: SHEET NO. 20 OF 20 SHEETS STA. TO STA.

F.A.I. RTE.	SECTION	COUNTY	TOTAL SHEETS	SHEET NO.
57	(13-1)R&(25-6-UB		44	42
CONTRACT NO. 74417			ILLINOIS FED. AID PROJECT	