

STATE OF ILLINOIS
DEPARTMENT OF TRANSPORTATION

SPECIFICATIONS FOR STANDARD ALUMINUM GRATING

Main Bearing Bars (MBB) shall be 3/16" x 1/2" on 1 3/16" centers and conform to ASTM B211 Alloy 6061-T6.
Cross bars (CB) shall be 3/16" x 1/2" on 4" centers and conform to ASTM B221 Alloy 6063-T5 or 6061-T6.

OR

Aluminum Grating with modified "T" sections for main bearing bars shall meet the following requirements:

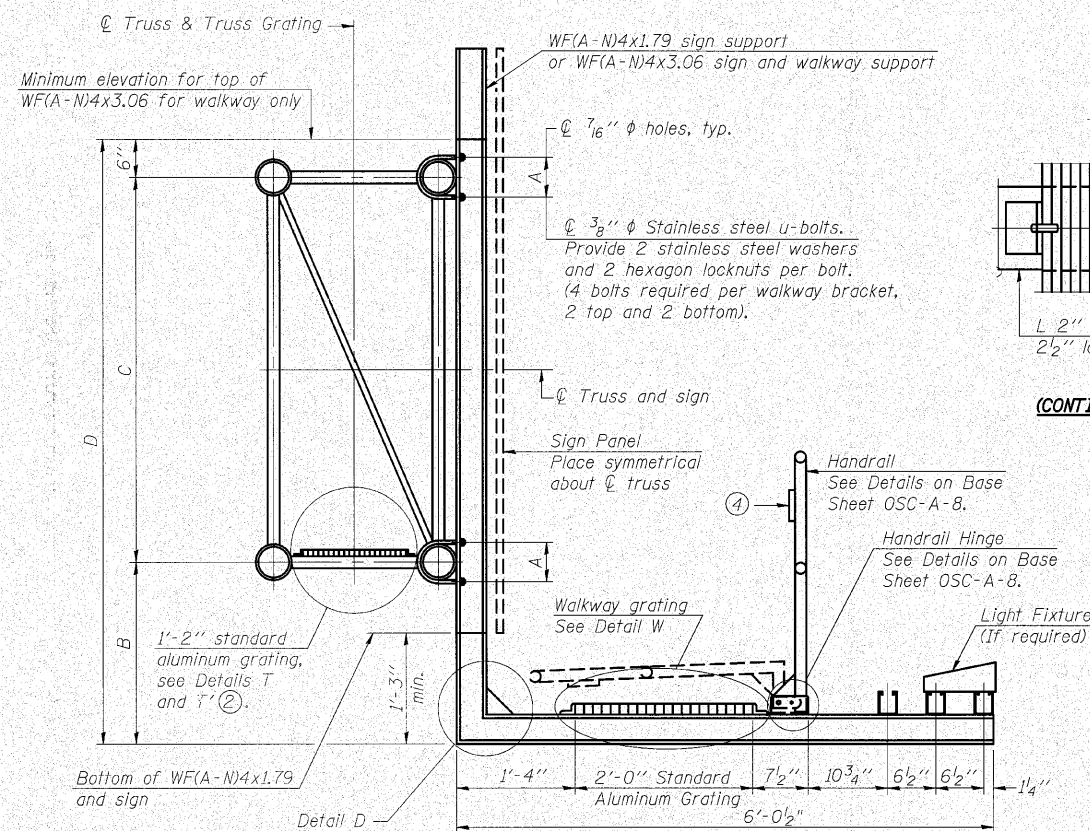
Main bars shall conform to ASTM B221 Alloy 6061-T6 and have a minimum section modulus equal to 0.0705 in.³ per bar, a depth of 1/2", spaced on 1 3/16" centers.

Cross bars shall conform to ASTM B221 Alloy 6063-T5 or T-42 and spaced on 4" centers.

Operator

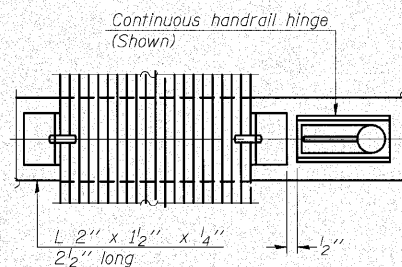
Date: 8/10/2010 \$TIMES

Filename: \$FILES

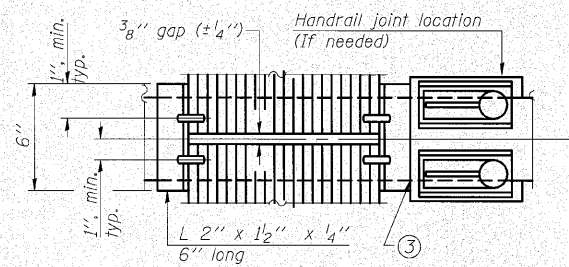


SECTION B-B

Sign shall be even with the top of the bracket, but it may extend no more than 6" above the top of the bracket for field adjustments.



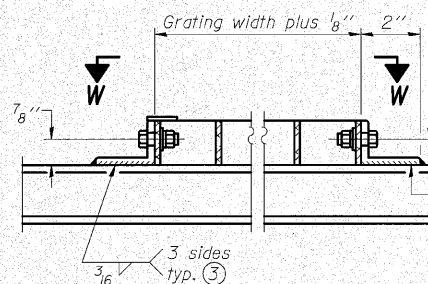
(CONTINUOUS WALKWAY GRATING)



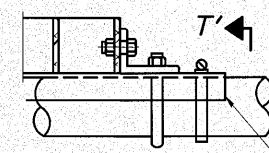
(AT WALKWAY GRATING SPLICE)

SECTION W-W

Drill ① 3/8" ϕ holes in walkway for 5/16" ϕ bolts, 1" long, each with one locknut and two stainless steel flat washers.

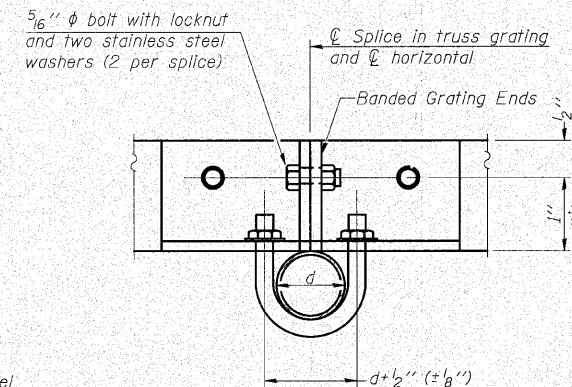


DETAIL W
(Walkway grating)

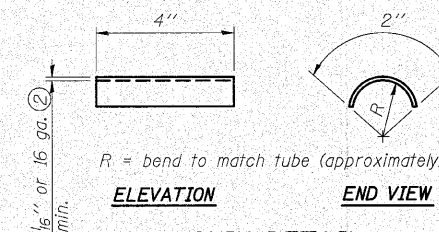


DETAIL T'

(Truss grating splice)
Details not shown same as Detail T. Alternate materials may be used subject to the Engineer's review and approval.



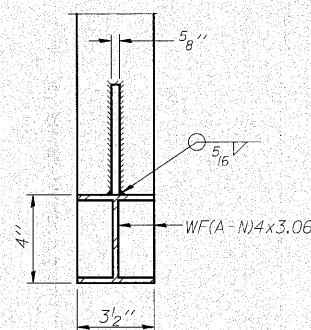
SECTION T'-T'



ELEVATION

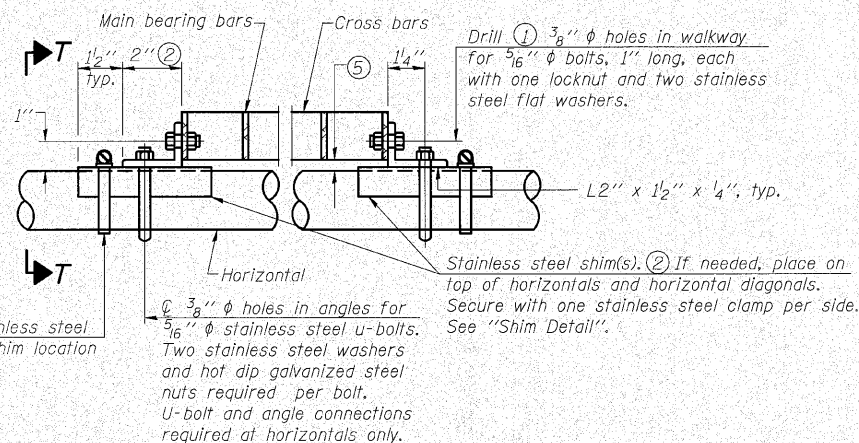
END VIEW

SHIM DETAIL



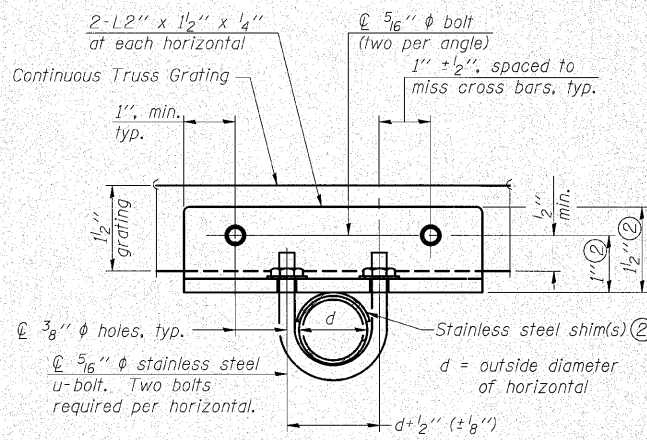
SECTION D-D

Screw type stainless steel tube clamp at shim location



DETAIL T

(Continuous Truss grating)

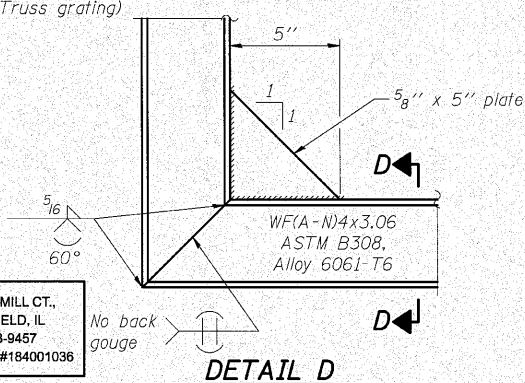


SECTION T-T

NUMBER	REVISION	DATE

DESIGNED
CHECKED
DRAWN
CHECKED
OSC-A-7

WHKS & CO.
ENGINEERING
7018 KINGSMILL CT.,
SPRINGFIELD, IL
(217) 483-9457
DESIGN FIRM #184001036



DETAIL D

Structure Number	Station	A	⑥ B	C	⑥ D
8C082S159L020.4	33+90, 61.3' LT.	6 7/8"	30"	66"	102"

**CANTILEVER SIGN STRUCTURES
WALKWAY DETAILS
ALUMINUM TRUSS & STEEL POST**

SHEET NO. 8 11 SHEETS	F.A.I. RTE. 64	SECTION 82-5K-2	COUNTY ST. CLAIR	TOTAL SHEETS 162	SHEET NO. 78
	CONTRACT NO. 76D59				
FED. ROAD DIST. NO.		ILLINOIS FED. AID PROJECT			