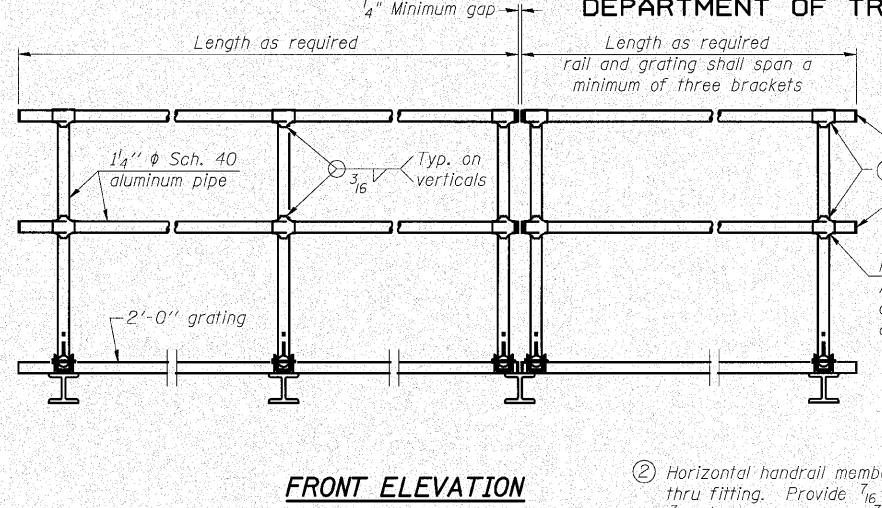
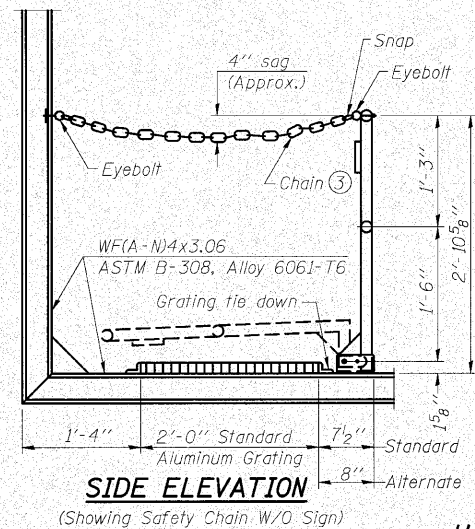


STATE OF ILLINOIS
DEPARTMENT OF TRANSPORTATION

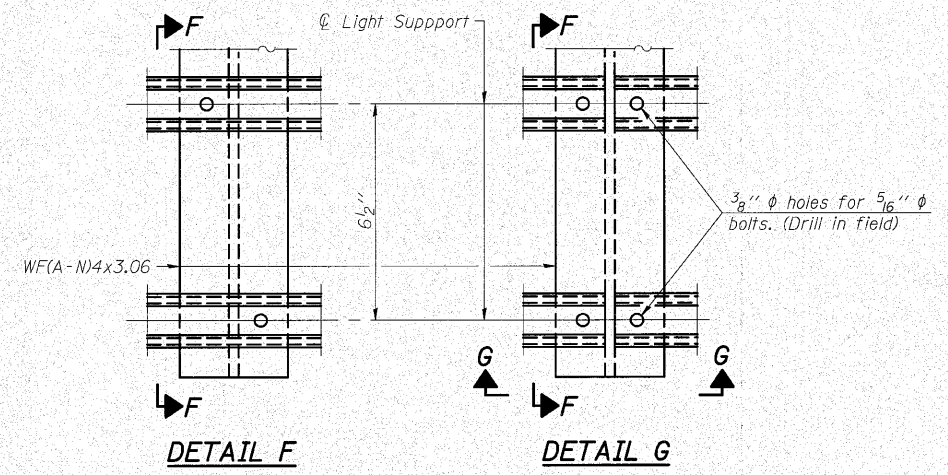


HANDRAIL DETAILS

Handrail pipe shall be ASTM B241 or B429, Alloy 6063-T6 or Alloy 6061-T6.

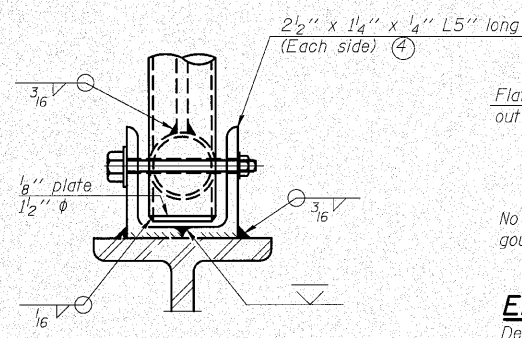
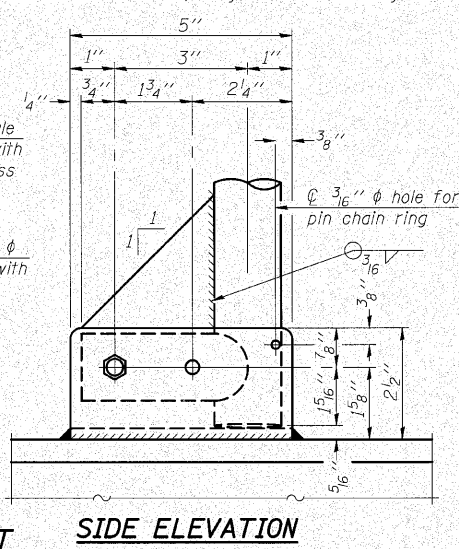
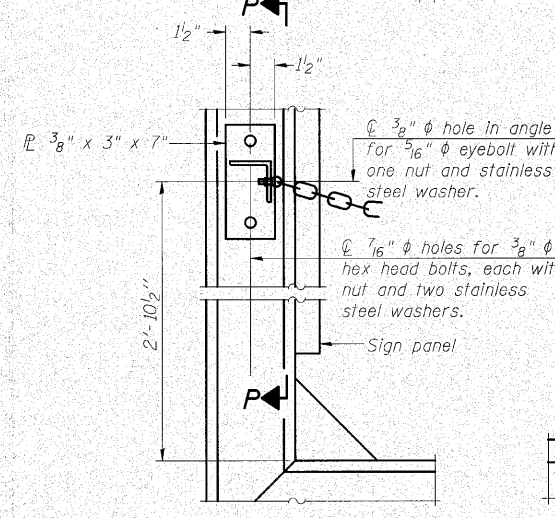
① Install standard force-fit end caps or weld 1/8 inch end plates with 1/8 inch c.f.w. and grind smooth. (All rail ends)
Fittings-ASTM B26, Alloy 356-T7 or 1 1/2 inch aluminum pipe

② Horizontal handrail member shall be continuous thru fitting. Provide 7/16 inch hole in fitting for 3/8 inch bolt. Field drill 1/16 inch hole in horizontal rail member. Provide locknut and two stainless steel washers for bolt. (Use 5/16 inch eyebolts in 7/16 inch holes on top rail at ends only.)



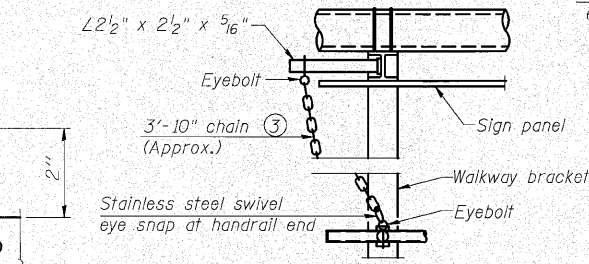
SECTION F-F LIGHTING FIXTURE MOUNTS (IF REQUIRED)

⑤ Field cut ends of light support channels shall be free of burrs or hazardous projections and coated with zinc-rich primer or equivalent.



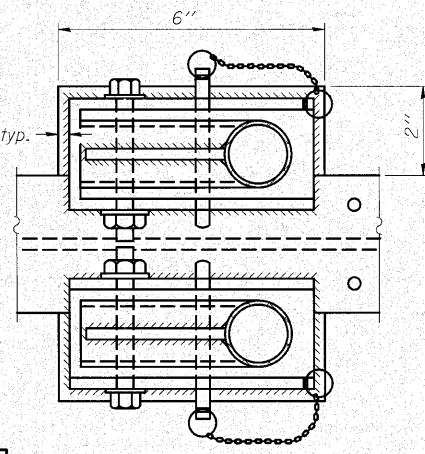
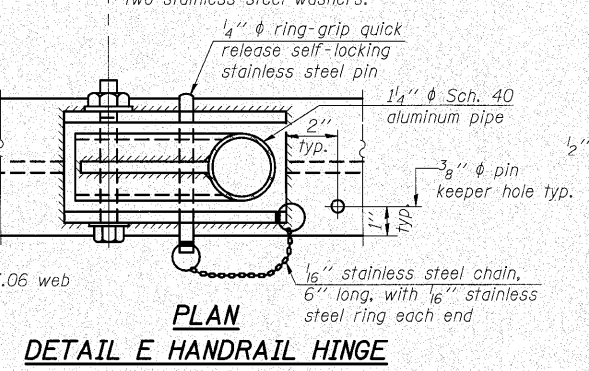
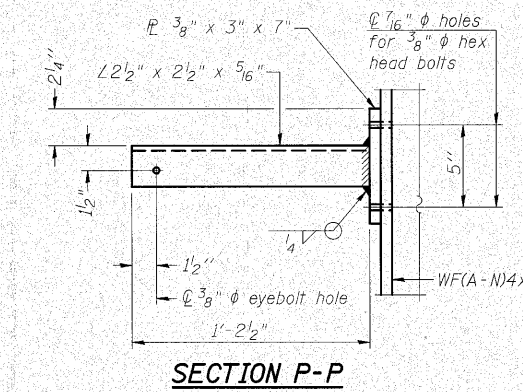
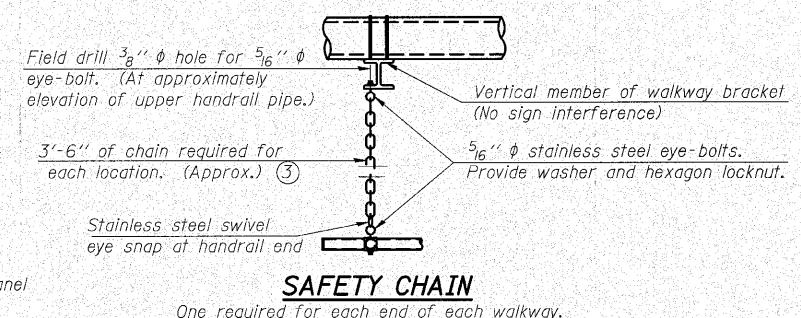
ELEVATION AT HANDRAIL JOINT

④ Details not shown same as "FRONT ELEVATION"



③ 3/16 inch Type 304L stainless steel chain, approximately 12 links per foot.

④ Extrusions may be used in lieu of the details shown, with approval of the Engineer.



**CANTILEVER SIGN STRUCTURES
HANDRAIL DETAILS
ALUMINUM TRUSS & STEEL POST**

DESIGNED
CHECKED
DRAWN
CHECKED

WHKS & CO.
ENGINEERING
7018 KINGSMILL CT.,
SPRINGFIELD, IL
(217) 483-9457
DESIGN FIRM #184001036

NUMBER	REVISION	DATE

SHEET NO. 10	F.A.I. RTE. 64	SECTION 82-5K-2	COUNTY ST. CLAIR	TOTAL SHEETS 162	SHEET NO. 80
11 SHEETS			CONTRACT NO. 76D59		
FED. ROAD DIST. NO.		ILLINOIS FED. AID PROJECT			

Operator: burnsideem Date: 8/10/2010 \$TIMES \$FILES OSC-A-8 12-1-08