

STATE OF ILLINOIS  
DEPARTMENT OF TRANSPORTATION

**CONSTRUCTION JOINT**

Location	Station	Offset	Theoretical Grade Elevations
S. End of S. Appr. Slab	33+59.12	35.00'	597.10
A1	33+69.12	35.00'	597.17
A2	33+79.12	35.00'	597.22
N. End of S. Appr. Slab	33+89.12	35.00'	597.28

**CONSTRUCTION JOINT**

Location	Station	Offset	Theoretical Grade Elevations
S. End of S. Vaulted Slab	33+89.63	39.00'	597.22
A3	33+99.63	39.00'	597.27
N. End of S. Vaulted Slab	34+11.49	39.00'	597.32

**CONSTRUCTION JOINT**

Location	Station	Offset	Theoretical Grade Elevations
S. End of N. Vaulted Slab	35+98.25	39.00'	597.14
P1	36+08.25	39.00'	597.08
N. End of N. Vaulted Slab	36+20.11	39.00'	597.01

**CONSTRUCTION JOINT**

Location	Station	Offset	Theoretical Grade Elevations
S. End of N. Appr. Slab	36+19.62	35.00'	597.07
P2	36+29.62	35.00'	597.00
P3	36+39.62	35.00'	596.93
N. End of N. Appr. Slab	36+49.62	35.00'	596.84

**EDGE OF SHOULDER**

Location	Station	Offset	Theoretical Grade Elevations
S. End of S. Appr. Slab	33+61.63	55.00'	596.81
A1	33+71.63	55.00'	596.87
A2	33+81.63	55.00'	596.93
N. End of S. Appr. Slab	33+91.63	55.00'	596.98

**EDGE OF SHOULDER**

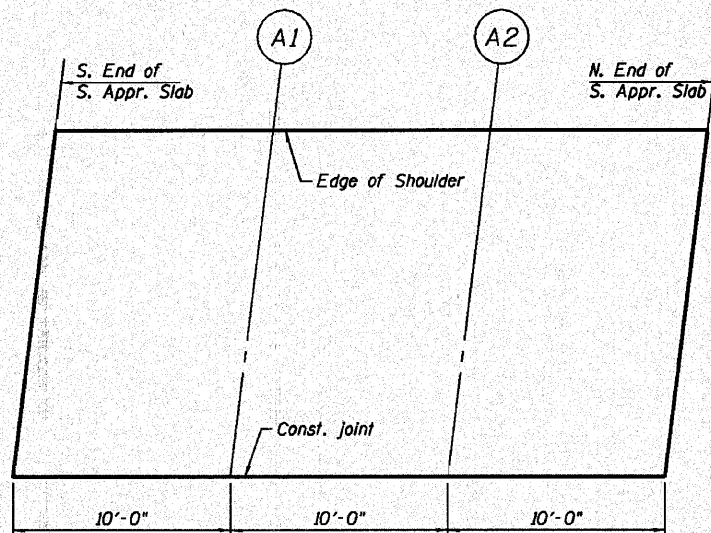
Location	Station	Offset	Theoretical Grade Elevations
S. End of S. Vaulted Slab	33+91.63	55.00'	596.98
A3	34+01.63	55.00'	597.02
N. End of S. Vaulted Slab	34+13.49	55.00'	597.07

**EDGE OF SHOULDER**

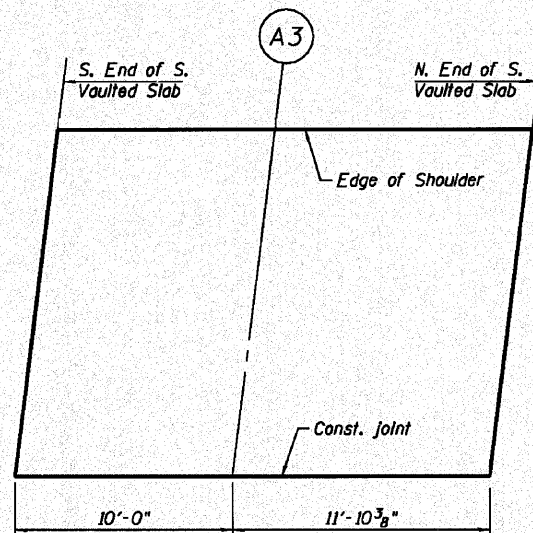
Location	Station	Offset	Theoretical Grade Elevations
S. End of N. Vaulted Slab	36+00.25	55.00'	596.88
P1	36+10.25	55.00'	596.82
N. End of N. Vaulted Slab	36+22.11	55.00'	596.74

**EDGE OF SHOULDER**

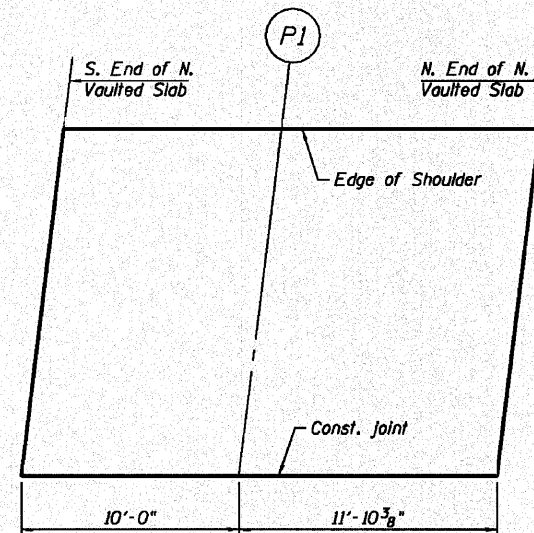
Location	Station	Offset	Theoretical Grade Elevations
S. End of N. Appr. Slab	36+22.12	55.00'	596.74
P2	36+32.12	55.00'	596.67
P3	36+42.12	55.00'	596.59
N. End of N. Appr. Slab	36+52.12	55.00'	596.51



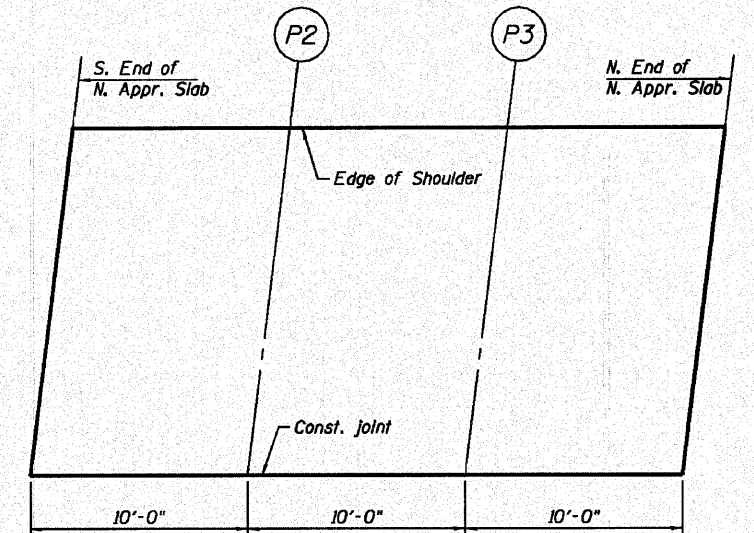
**SOUTH APPROACH PLAN**



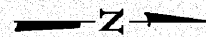
**SOUTH VAULTED SLAB PLAN**



**NORTH VAULTED SLAB PLAN**



**NORTH APPROACH PLAN**



**TOP OF APPROACH AND VAULTED  
SLAB ELEVATIONS  
STRUCTURE NO. 082-0176**

DESIGNED - T.JZ
CHECKED - CWC
DRAWN - DLH
CHECKED - CWC, SDS

**WHKS & CO.**  
ENGINEERING  
7018 KINGSMILL CT.,  
SPRINGFIELD, IL  
(217) 483-9457  
DESIGN FIRM #184001036

SHEET NO. 5 34 SHEETS	F.A. RTE.	SECTION	COUNTY	TOTAL SHEETS	SHEET NO.
	64	82-5K-2	ST. CLAIR	162	88
			CONTRACT NO. 76D59		
ILLINOIS FED. AID PROJECT					