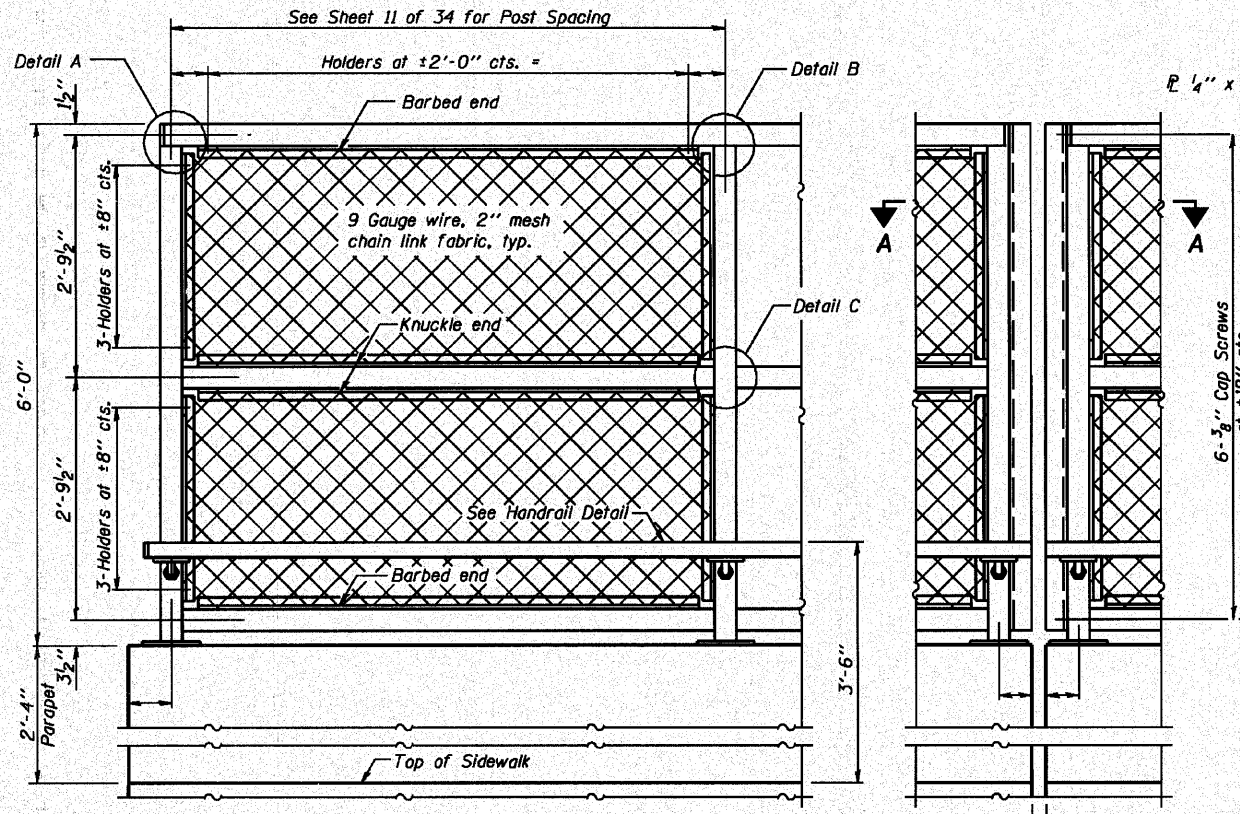
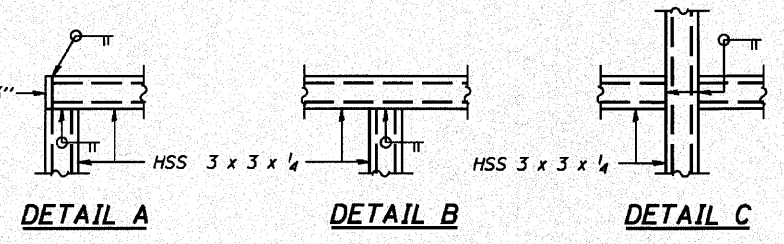


STATE OF ILLINOIS
DEPARTMENT OF TRANSPORTATION



ELEVATION
(Inside Face)

ELEVATION
(At Expansion Joint)

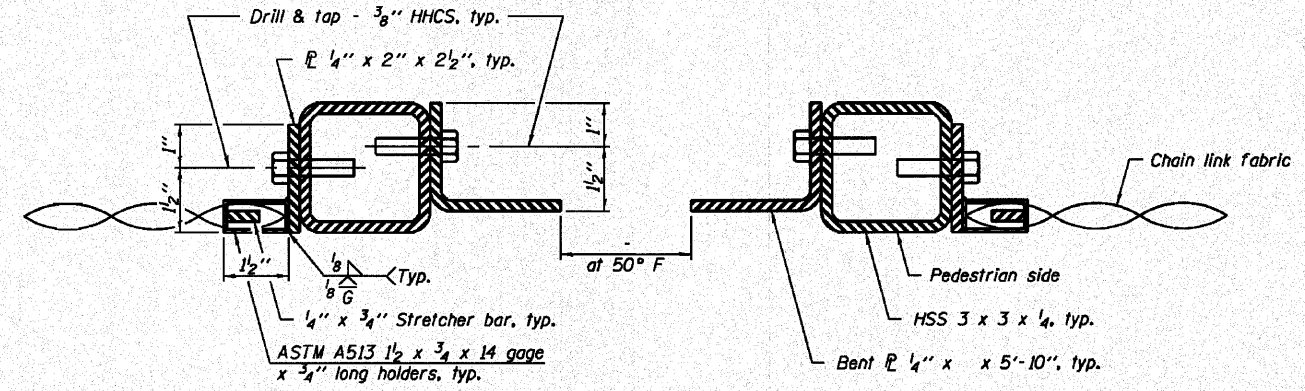


DETAIL A

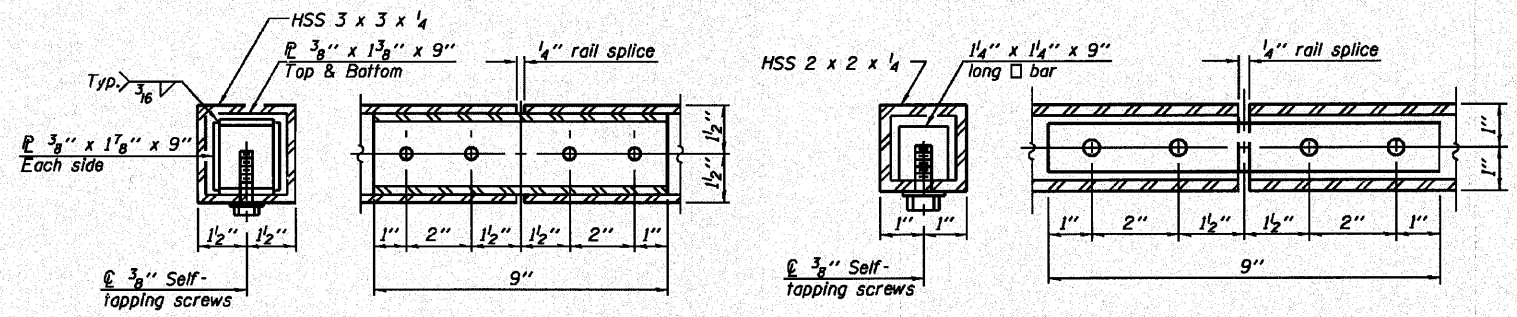
DETAIL B

DETAIL C

Notes:
All steel rail elements shall be galvanized according to Article 509.05 of the Standard Specifications.

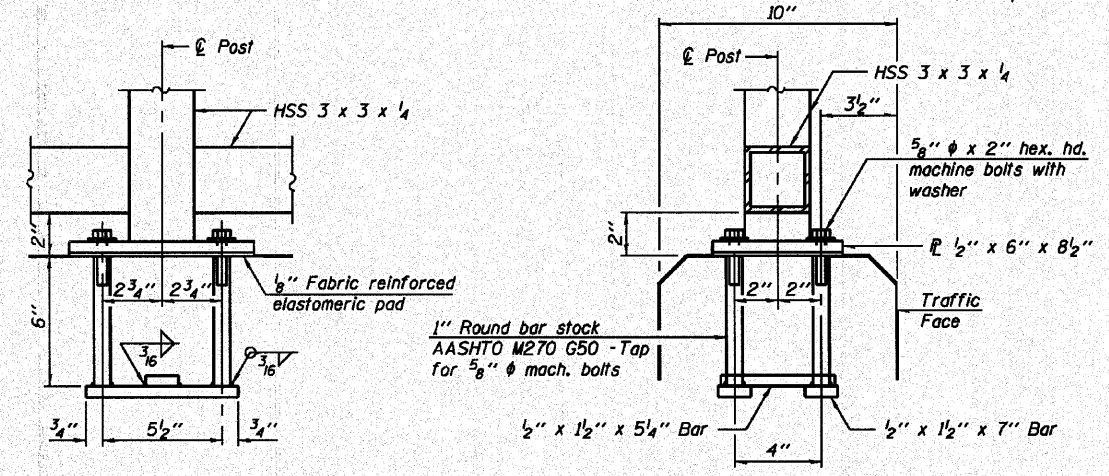


SECTION A-A



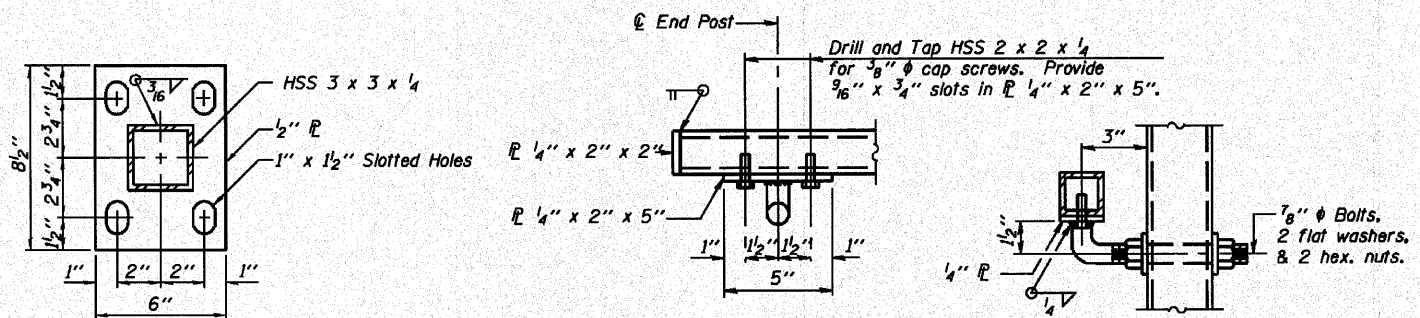
RAIL SPLICE

HANDRAIL SPLICE



ANCHOR BOLT DETAILS

In lieu of the cast-in-place anchor device shown, the Contractor has the option of drilling and setting 5/8" anchor rods according to Article 509.06 of the Standard Specifications. Embedment shall be according to the manufacturer's specifications.



BASE P

HANDRAIL DETAIL

DESIGNED - TJZ
CHECKED - CWC
DRAWN - DLH
CHECKED - CWC, SDS

WHKS & CO.
ENGINEERING

7018 KINGSMILL CT.
SPRINGFIELD, IL
(217) 483-9457
DESIGN FIRM #184001038

R-28 7-1-10 (10'-0" Maximum Post Spacing)

BILL OF MATERIAL

Item	Unit	Quantity
Bridge Fence Railing	Foot	223

**BRIDGE FENCE RAILING
PARAPET MOUNTED
STRUCTURE NO. 082-0176**

SHEET NO. 12 34 SHEETS	F.A. RTE.	SECTION	COUNTY	TOTAL SHEETS	SHEET NO.
	64	82-5K-2	ST. CLAIR	162	95
	CONTRACT NO. 76D59				
ILLINOIS FED. AID PROJECT					