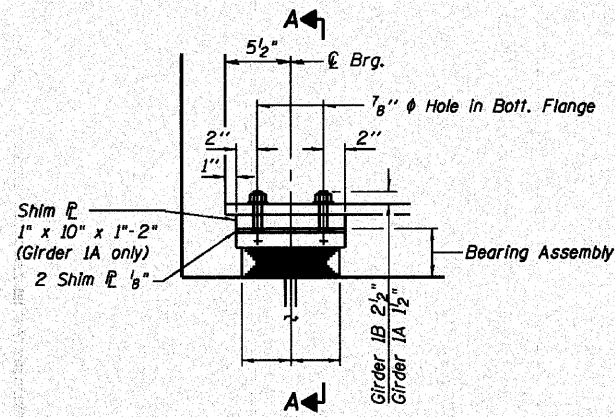
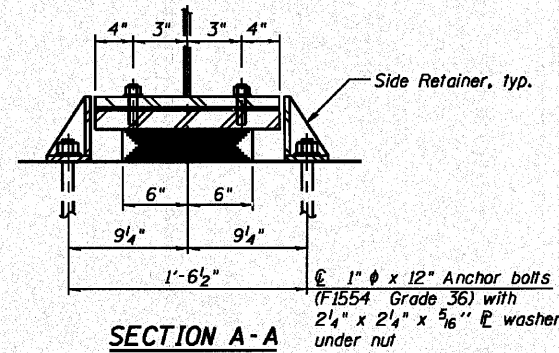


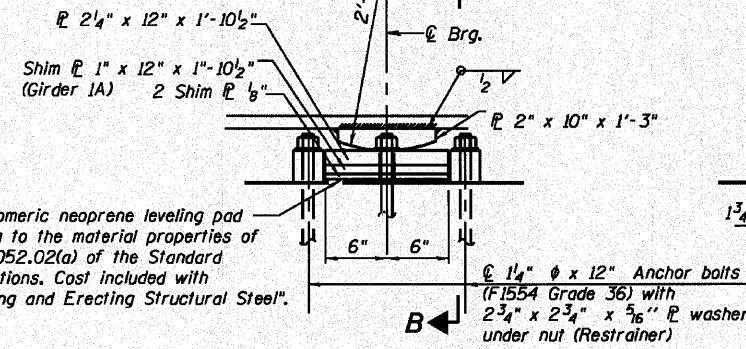
STATE OF ILLINOIS  
DEPARTMENT OF TRANSPORTATION



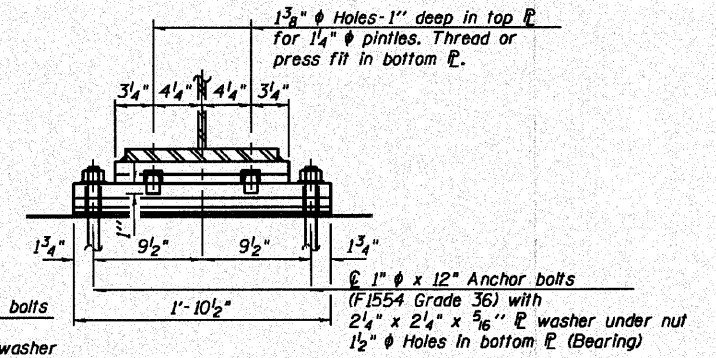
ELEVATION AT ABUTS.



SECTION A-A

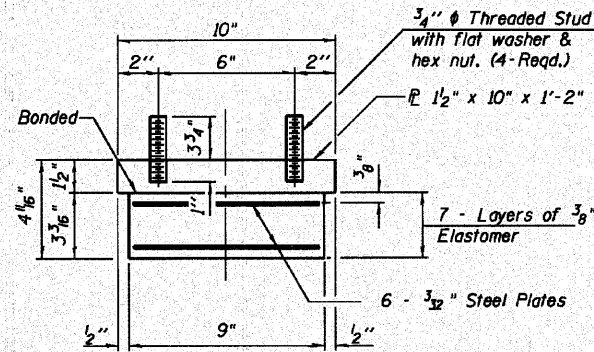


ELEVATION AT PIER



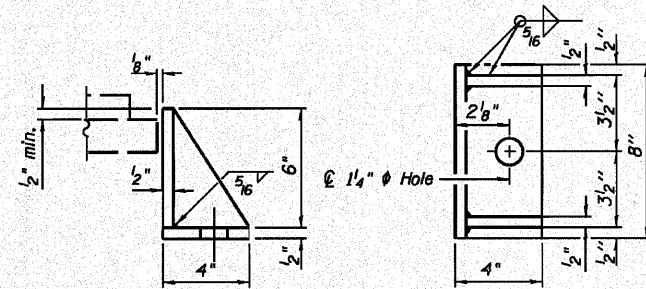
SECTION B-B

TYPE I ELASTOMERIC EXP. BRG.



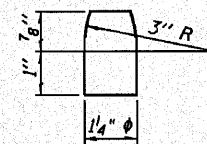
BEARING ASSEMBLY

Note:  
Shim plates shall not be placed under Bearing Assembly.



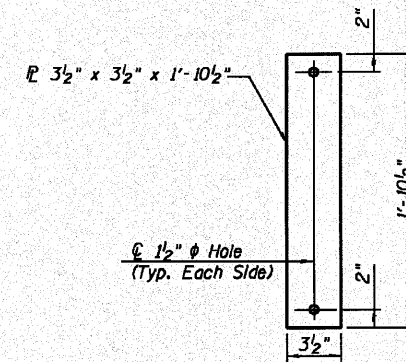
SIDE RETAINER

Equivalent rolled angle with stiffeners will be allowed in lieu of welded plates.



PINTLE

FIXED BEARING



LONGITUDINAL RESTRAINER AT FIXED PIER

Longitudinal restrainer plates placed flushed next to base plate (Typ. each side) and shall be included with the cost of "Furnishing and Erecting Structural Steel". Space anchor bolts to miss reinforcement.

Notes:

Anchor bolts shall be ASTM F1554 all-thread (or an Engineer-approved alternate material) of the grade(s) and diameter(s) specified. ASTM A307 Grade C anchor bolts may be used in lieu of ASTM F1554 Grade 36 (Fy=36ksi). The corresponding specified grade of AASHTO M314 anchor bolts may be used in lieu of ASTM F1554.

Anchor bolts at fixed bearings may be either cast in place or installed in holes drilled after the supported member is in place.

Anchor bolts for side retainers may be cast in place or installed in holes drilled before or after members are in place.

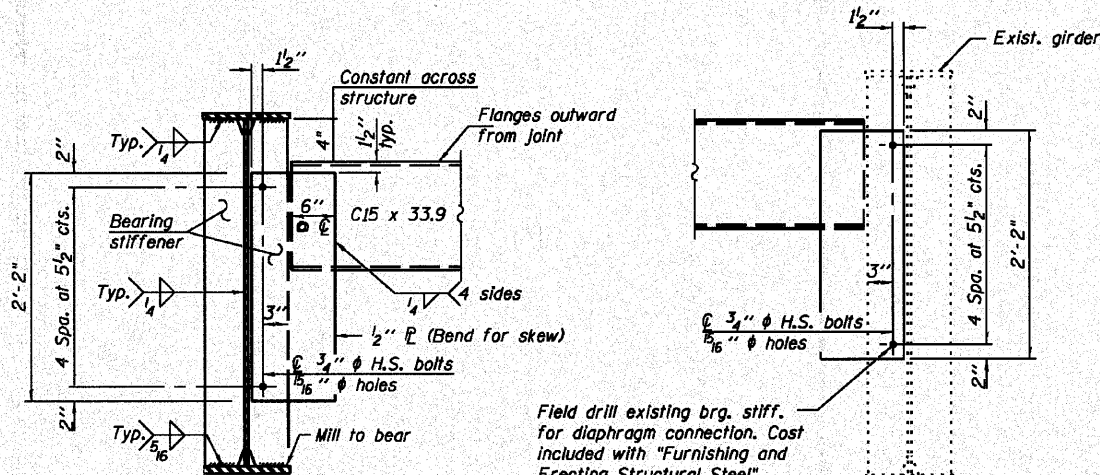
Drilled and set anchor bolts shall be installed according to Article 521.06 of the Standard Specifications.

Side retainers and other steel members required for the bearing assembly shall be included in the cost of "Elastomeric Bearing Assembly, Type I".

All cross frames or diaphragms shall be installed as steel is erected and secured with erection pins and bolts except as otherwise noted. Individual cross frames or diaphragms at supports may be temporarily disconnected to install bearing anchor rods.

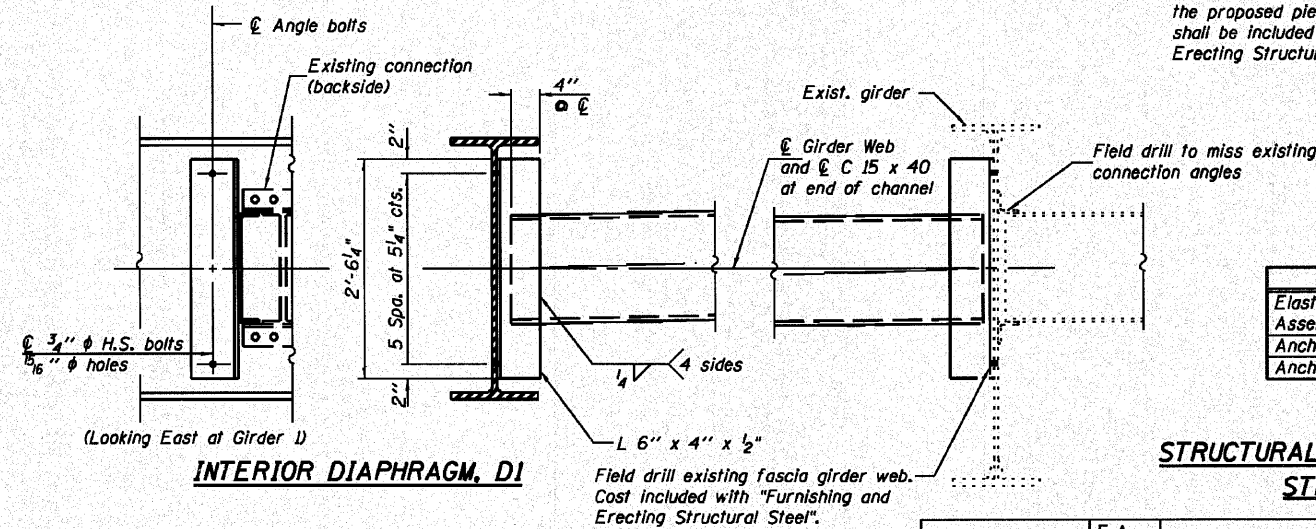
Two 1/8 in. adjusting shims shall be provided for each bearing in addition to all other plates or shims and placed as shown on bearing details.

Existing Girder 1 fixed bearing and longitudinal restrainer to be removed and reassembled with new anchor bolts on the proposed pier cap. Cost of removal and reassembly shall be included with the cost of "Furnishing and Erecting Structural Steel".



END DIAPHRAGM, D

Note: Two hardened washers required for each set of oversized holes.



INTERIOR DIAPHRAGM, DI

Note: Two hardened washers required for each set of oversized holes. Alternate channels [ 15 x 50 are permitted to facilitate material acquisition. Calculated weight of structural steel based on [ 15 x 40 sections. The alternate, if utilized shall be provided at no additional cost to the Department.

BILL OF MATERIAL

Item	Unit	Total
Elastomeric Bearing Assembly Type I	Each	4
Anchor Bolts, 1"	Each	14
Anchor Bolts, 1 1/4"	Each	12

STRUCTURAL STEEL AND BEARING DETAILS  
STRUCTURE NO. 082-0176

SHEET NO. 14	F.A. RTE.	SECTION	COUNTY	TOTAL SHEETS	SHEET NO.
				64	97
34 SHEETS			CONTRACT NO. 76D59		
ILLINOIS FED. AID PROJECT					

DESIGNED - TJZ  
CHECKED - CWC  
DRAWN - DLH  
CHECKED - CWC, SDS

**WHKS & CO.**  
ENGINEERING  
7018 KINGSMILL CT.,  
SPRINGFIELD, IL  
(217) 483-9457  
DESIGN FIRM #184001036