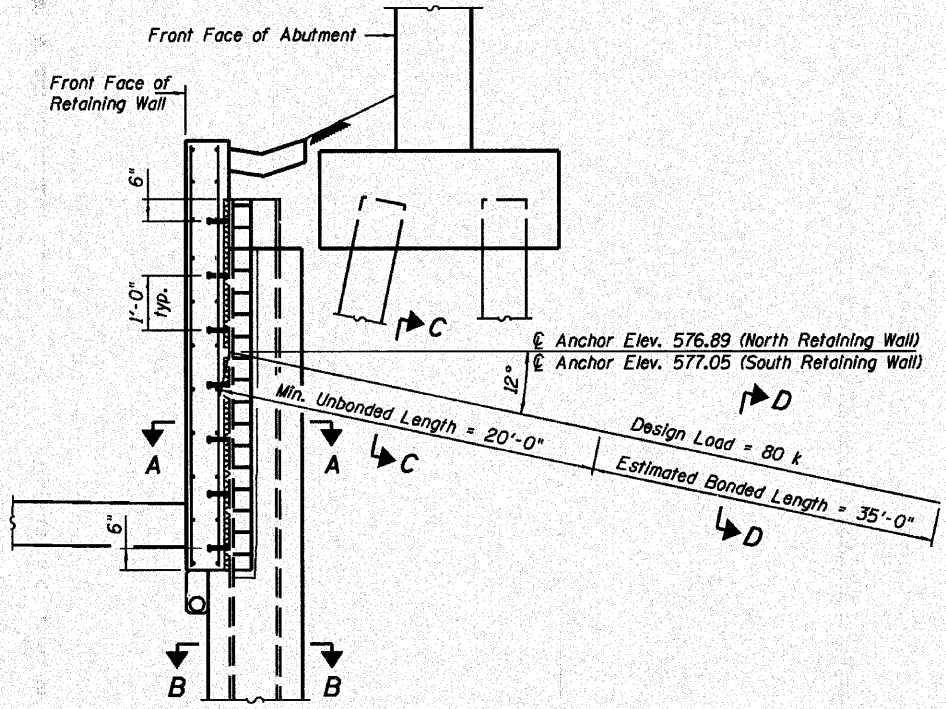
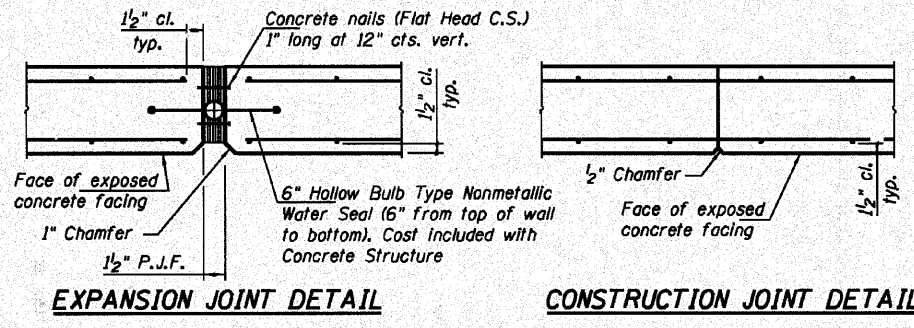
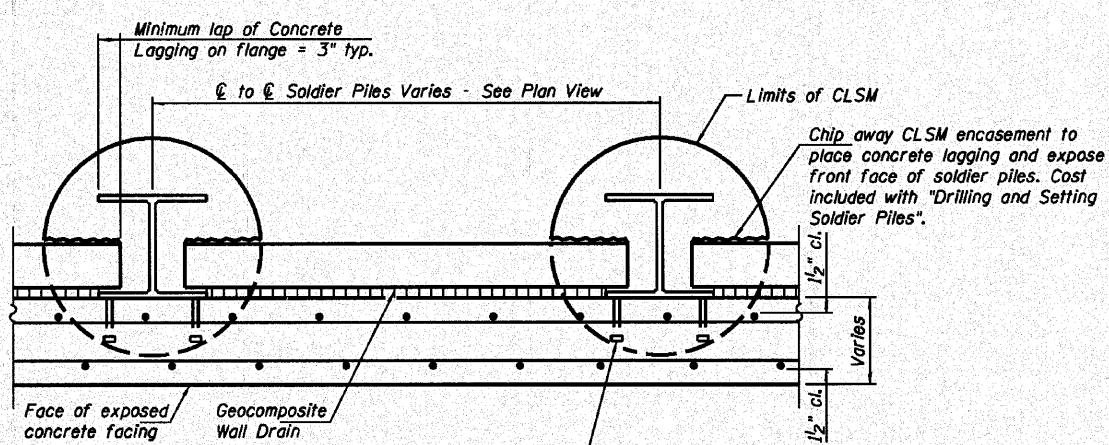


STATE OF ILLINOIS  
DEPARTMENT OF TRANSPORTATION

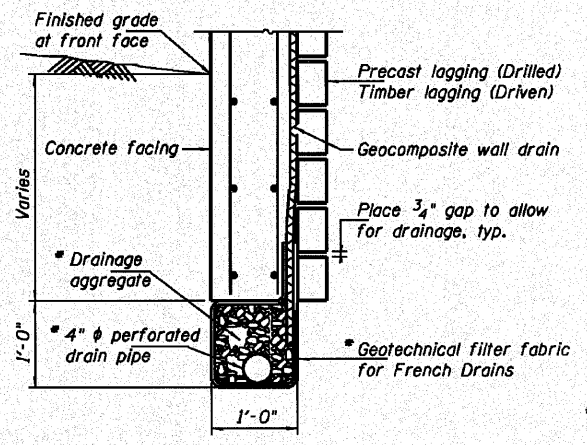


TYPICAL SECTION THRU DRILLED SOLDIER PILE WALL

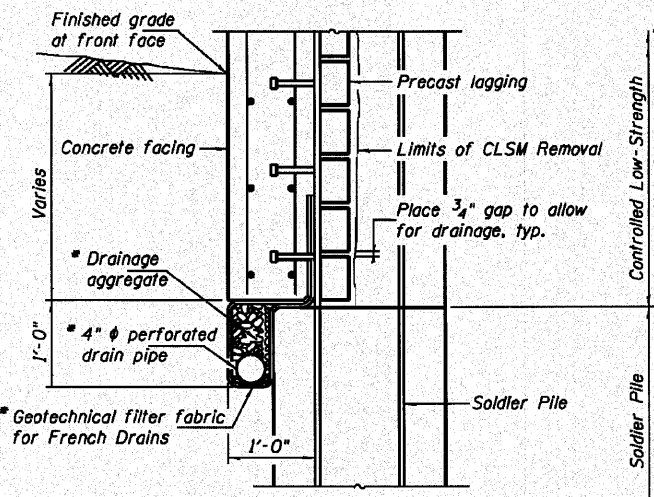


SECTION A-A

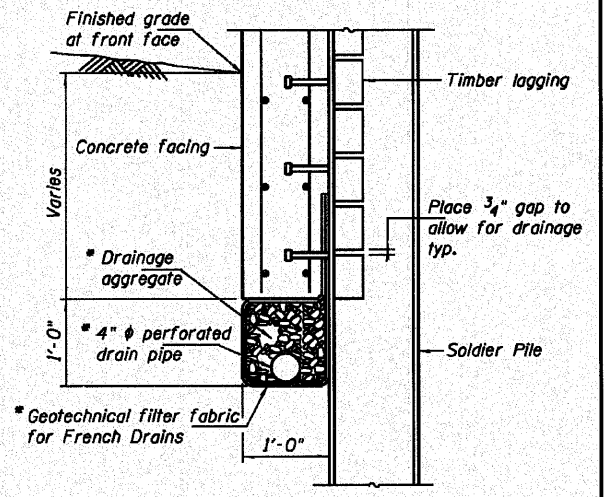
Granular or solid flux filled headed stud conforming to Article 1006.32 of the Standard Specifications. Automatically end welded



SECTION OF DRAIN DETAIL BETWEEN DRILLED AND DRIVEN SOLDIER PILES

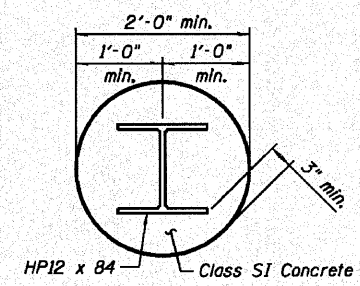


SECTION OF DRAIN DETAIL AT DRILLED SOLDIER PILES

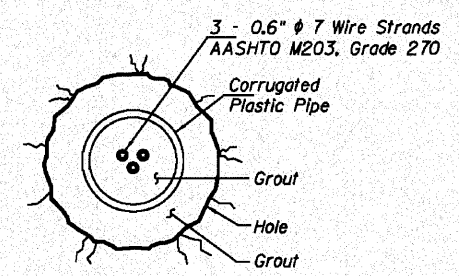


SECTION OF DRAIN DETAIL AT DRIVEN SOLDIER PILES

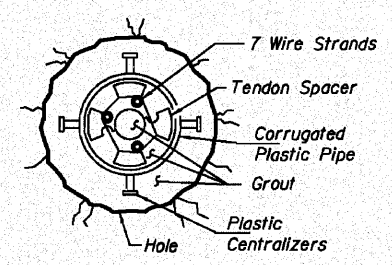
\* Included in the cost of "Pipe Underdrains for Structures 4".



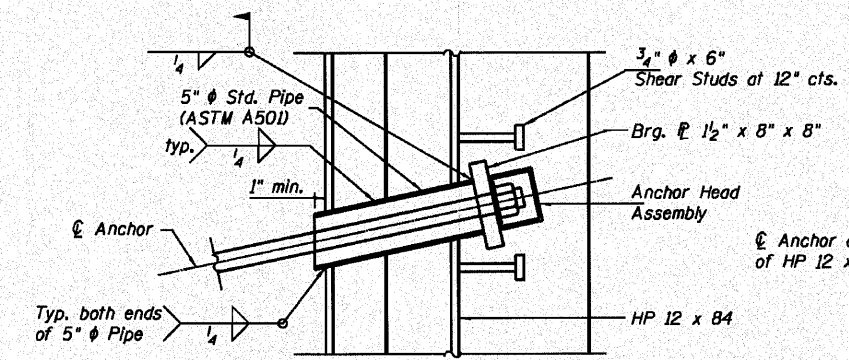
SECTION B-B



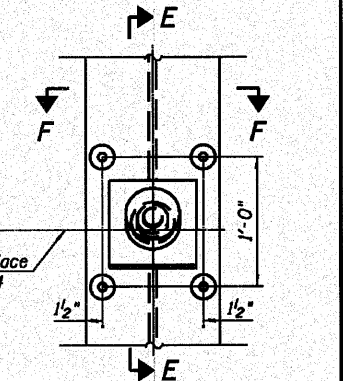
SECTION C-C



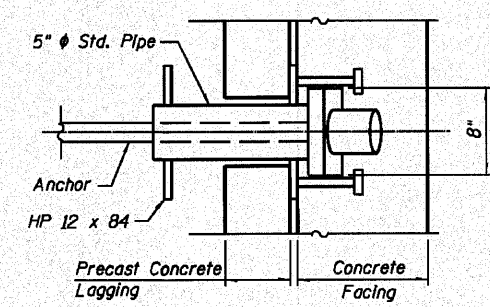
SECTION D-D



SECTION E-E



ANCHORAGE HEAD ELEVATION



SECTION F-F

SOLDIER PILE WALL DETAILS  
STRUCTURE NO. 082-0176

DESIGNED - TJZ  
 CHECKED - CWC  
 DRAWN - DLH  
 CHECKED - CWC, SDS

**WHKS & CO.**  
 ENGINEERING  
 7018 KINGSMILL CT.,  
 SPRINGFIELD, IL  
 (217) 483-9457  
 DESIGN FIRM #184001036

SHEET NO. 24 34 SHEETS	F.A. RTE.	SECTION	COUNTY	TOTAL SHEETS	SHEET NO.
	64	82-5K-2	ST. CLAIR	162	107
CONTRACT NO. 76D59					
ILLINOIS FED. AID PROJECT					