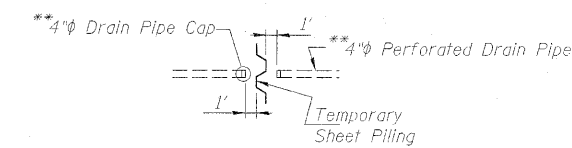
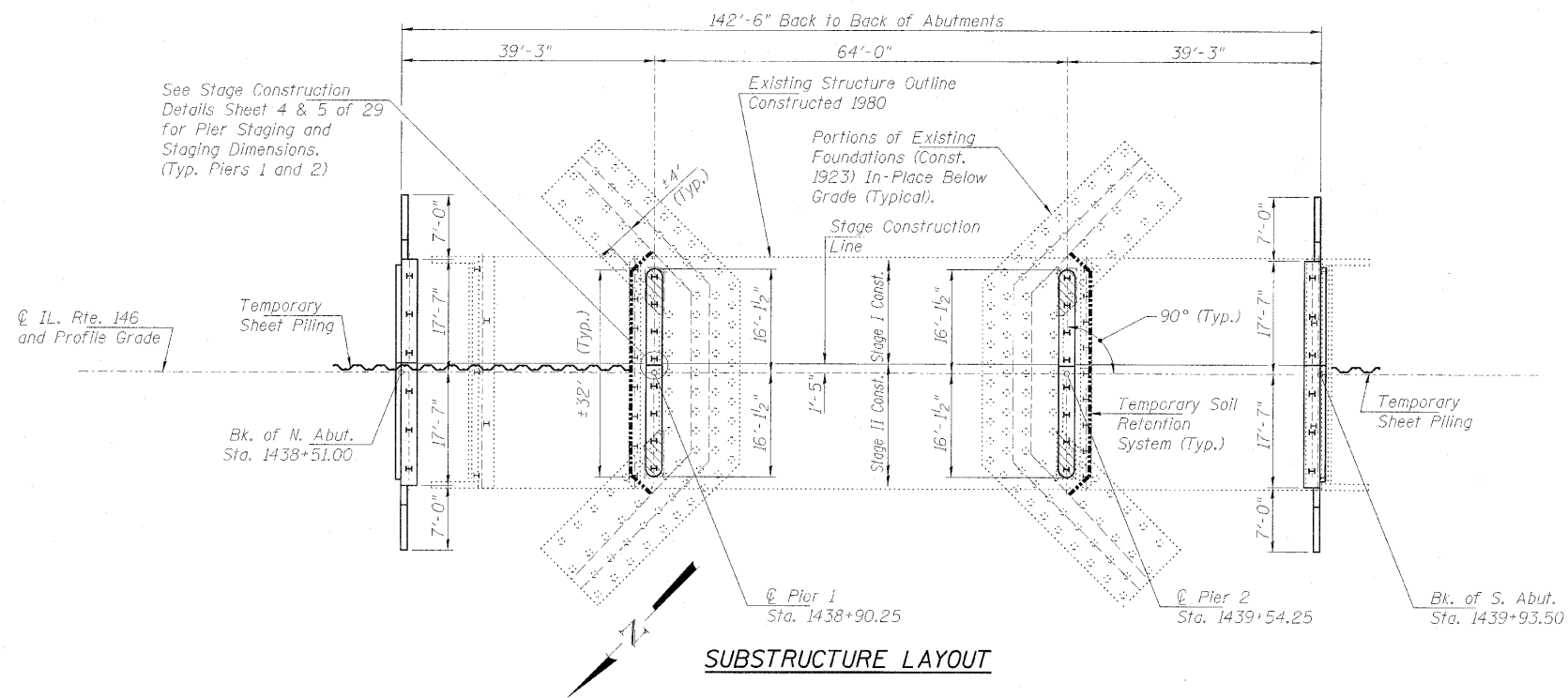
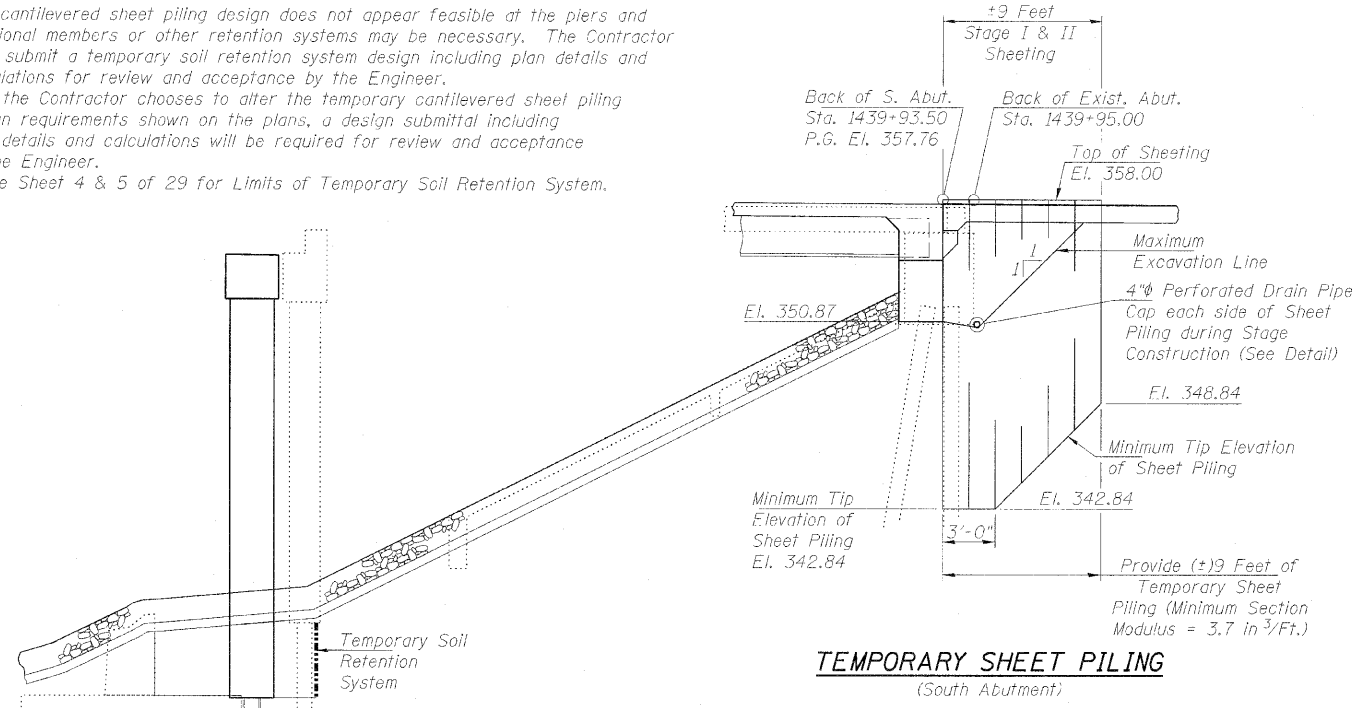
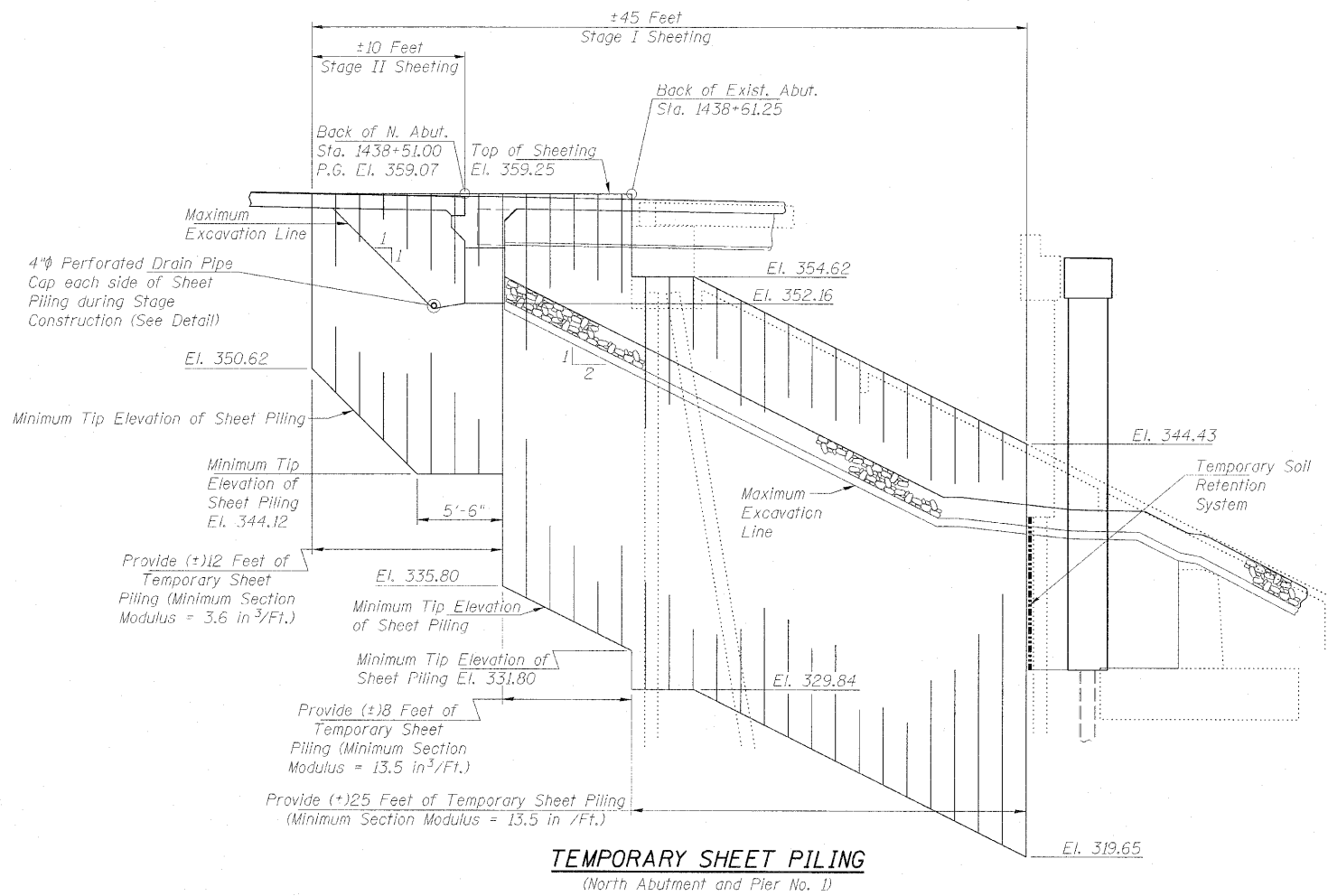


STATE OF ILLINOIS
DEPARTMENT OF TRANSPORTATION



DRAIN PIPE DETAIL AT SHEET PILING
**Included in the cost of Pipe Underdrains for Structures.

A cantilevered sheet piling design does not appear feasible at the piers and additional members or other retention systems may be necessary. The Contractor shall submit a temporary soil retention system design including plan details and calculations for review and acceptance by the Engineer.
If the Contractor chooses to alter the temporary cantilevered sheet piling design requirements shown on the plans, a design submittal including plan details and calculations will be required for review and acceptance by the Engineer.
See Sheet 4 & 5 of 29 for Limits of Temporary Soil Retention System.



TEMPORARY SHEET PILING
(South Abutment)

SUBSTRUCTURE LAYOUT AND TEMPORARY SHEET PILING DETAILS
STRUCTURE NO. 076-0029

PROFESSIONAL DESIGN FIRM LICENSE #184-001084 © Copyright Hanson Professional Services Inc. 2010		DES. NO. 08H0131	SHEET NO. 3	F.A.P. RTE. 885	SECTION 6B-2	COUNTY Pope	TOTAL SHEETS 48	SHEET NO. 22
Hanson Professional Services Inc.		DATE 05/21/10	29 SHEETS	CONTRACT NO. 78141		ILLINOIS FED. AID PROJECT		