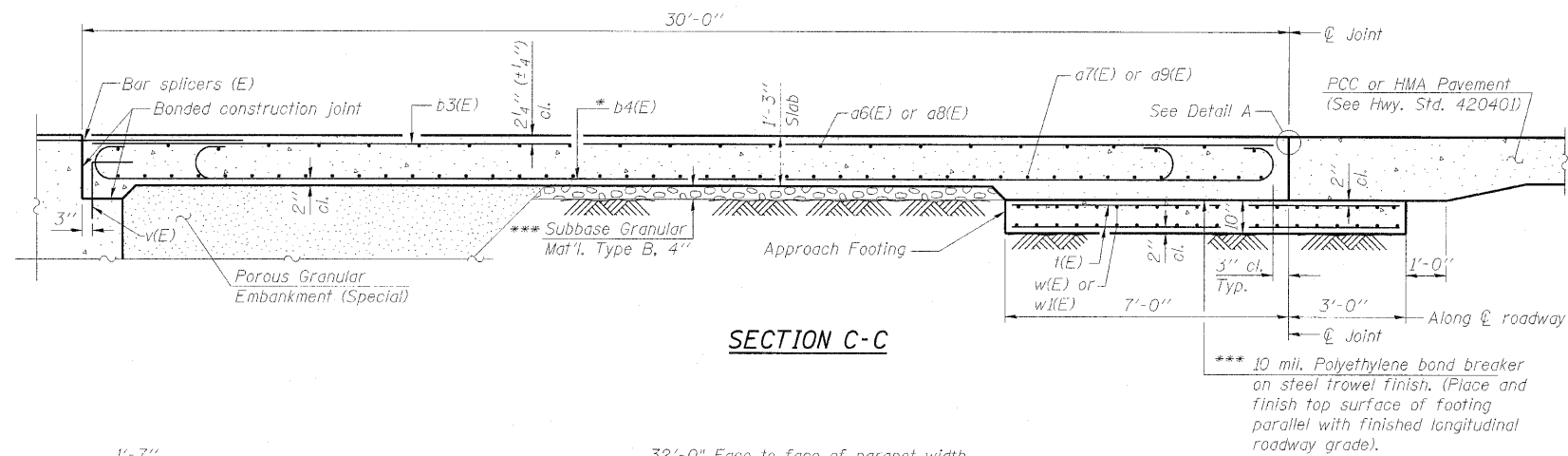


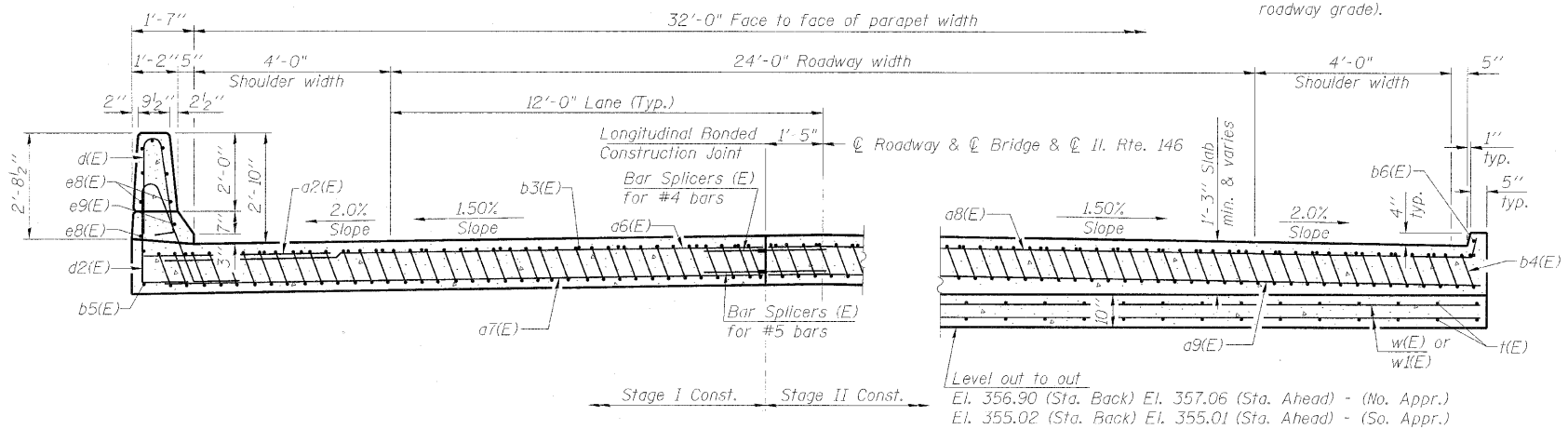
STATE OF ILLINOIS
DEPARTMENT OF TRANSPORTATION

Notes:

See sheet 15 of 29 for Detail A and View B-B.
Approach slab and parapet concrete shall be paid for as Concrete Superstructure.
Approach footing concrete shall be paid for as Concrete Structures.
Reinforcement shall be paid for as Reinforcement Bars, Epoxy Coated.
For v(E) bar details, see sheet 13 of 29.
The approach footing maximum applied service bearing pressure (Qmax) = 2.0 ksf.
For bar splicer details, see sheet 26 of 29.
For excavation for approach footing included with Concrete Structures.
For Porous Granular Embankment (Special) and drainage treatment details, see sheet 2 of 29.
For additional parapet details, see sheet 13 of 29.



SECTION C-C

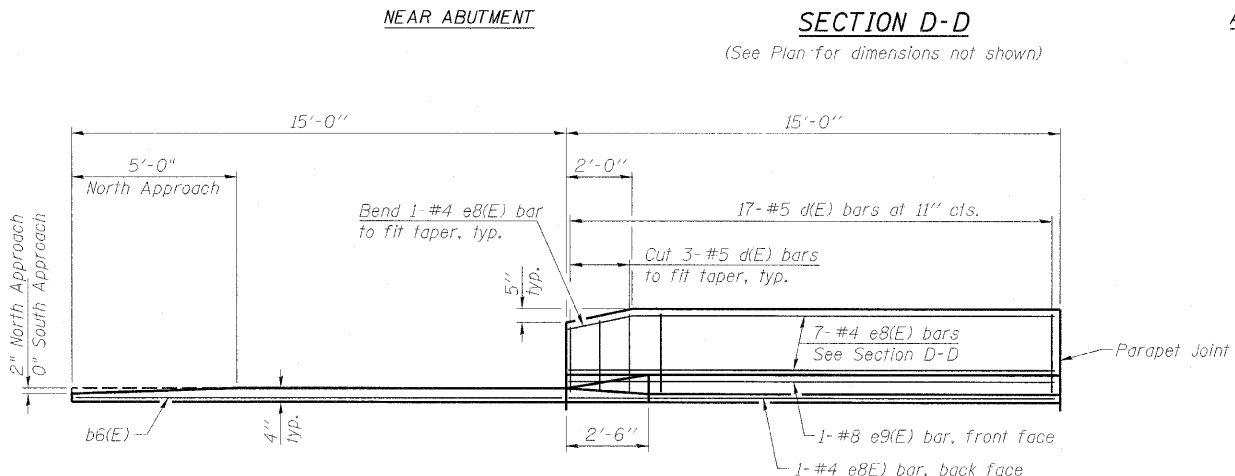


NEAR ABUTMENT

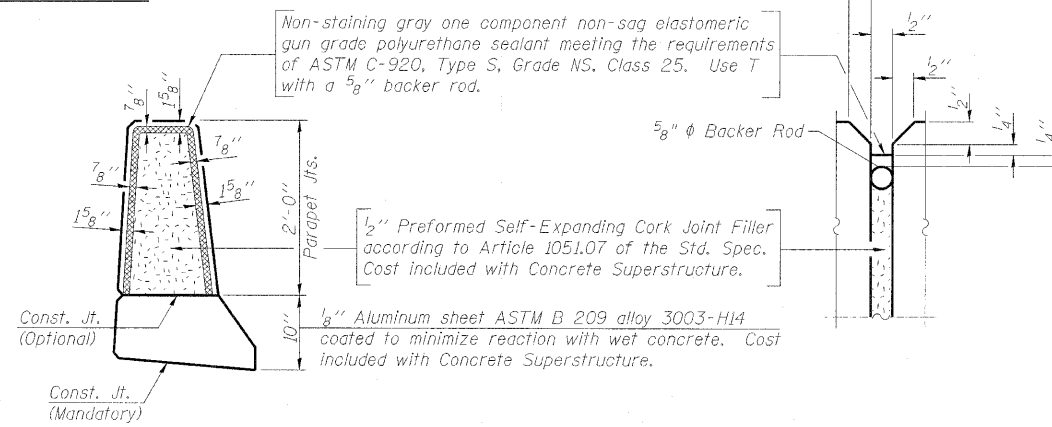
SECTION D-D

(See Plan for dimensions not shown)

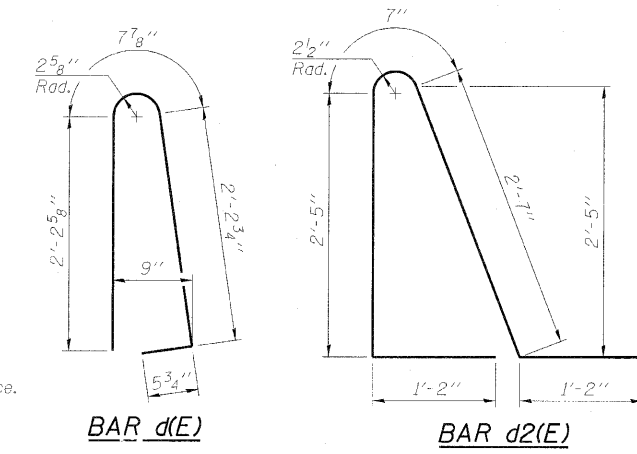
AT APPROACH FOOTING



VIEW E-E



PARAPET JOINT DETAILS



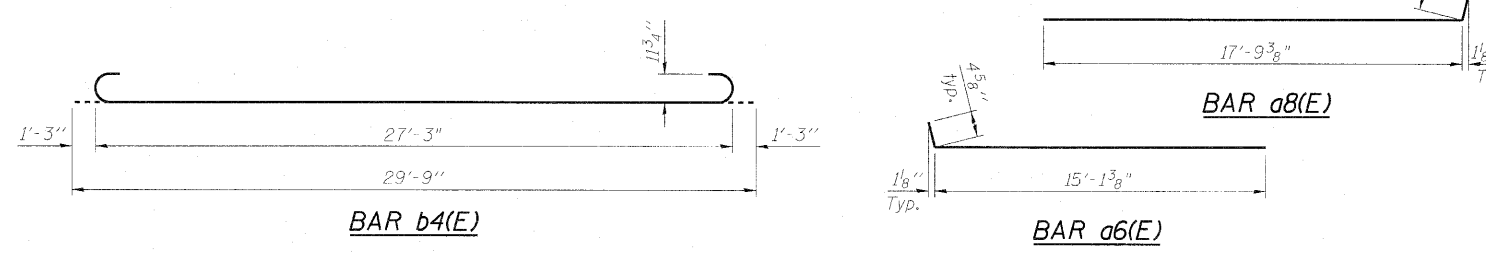
BAR d(E)

BAR d2(E)

TWO APPROACHES
BILL OF MATERIAL

Bar	No.	Size	Length	Shape
a2(E)	48	#6	6'-6"	—
a6(E)	50	#4	15'-6"	—
a7(E)	92	#5	15'-3"	—
a8(E)	50	#4	18'-2"	—
a9(E)	92	#5	17'-11"	—
b3(E)	56	#4	29'-8"	—
b4(E)	162	#9	29'-9"	—
b5(E)	4	#4	14'-8"	—
b6(E)	4	#4	14'-7"	—
d(E)	68	#5	5'-7"	⌒
d2(E)	68	#5	7'-11"	⌒
e8(E)	32	#4	14'-8"	—
e9(E)	4	#8	14'-8"	—
v(E)	140	#4	9'-8"	—
w(E)	80	#5	15'-1"	—
w1(E)	80	#5	17'-11"	—
Concrete Superstructure		Cu. Yd.	105.9	
Concrete Structures		Cu. Yd.	20.9	
Reinforcement Bars, Epoxy Coated		Pound	27440	

BRIDGE APPROACH SLAB DETAILS
(Sheet 2 of 2)
STRUCTURE NO. 076-0029



BAR b4(E)

BAR a6(E)

PROFESSIONAL DESIGN FIRM LICENSE #184-001084
© Copyright Hanson Professional Services Inc. 2010

HANSON
Hanson Professional Services Inc.

JOB NO. 08H0131	SHEET NO. 16	F.A.P. RTE. 885	SECTION 6B-2	COUNTY Pope	TOTAL SHEETS 48	SHEET NO. 35
DATE 05/21/10	29 SHEETS	CONTRACT NO. 78141		ILLINOIS FED. AID PROJECT		