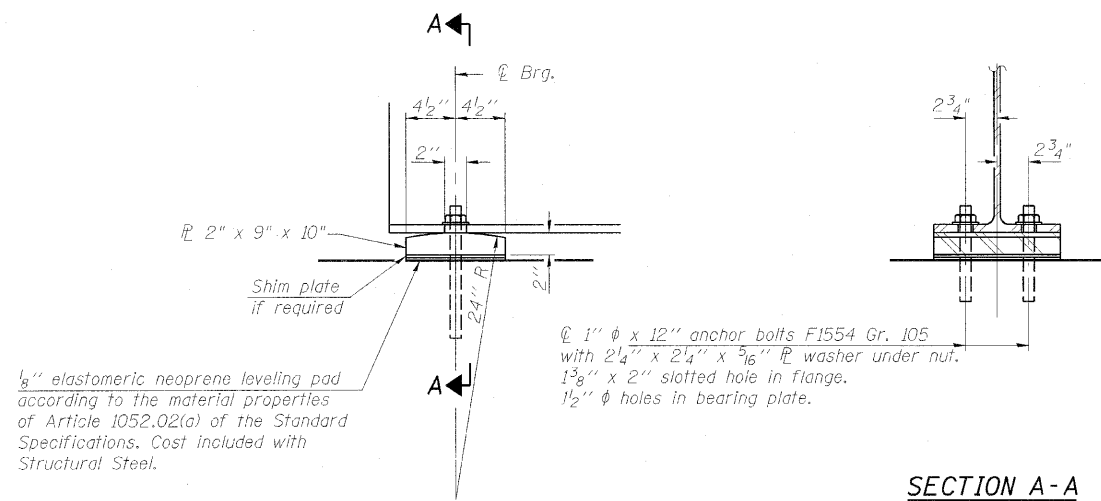
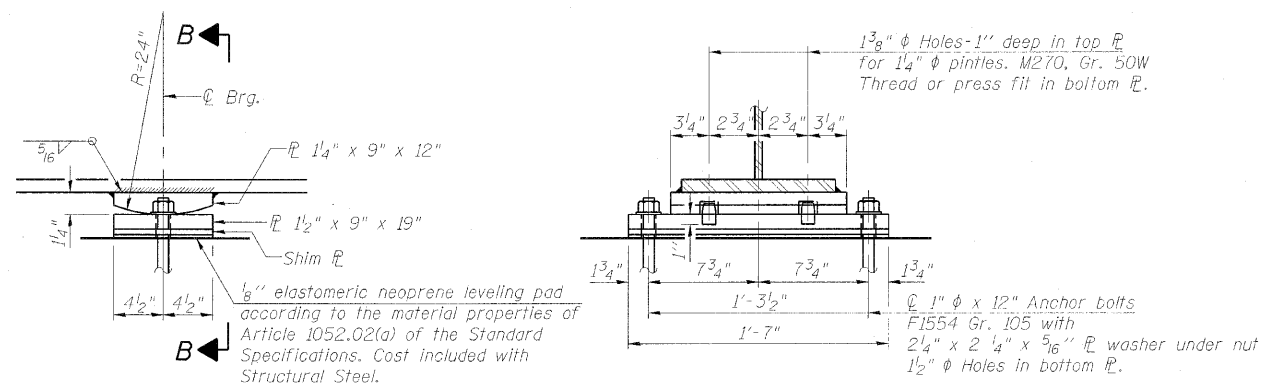


STATE OF ILLINOIS
DEPARTMENT OF TRANSPORTATION



ELEVATION AT ABUTMENT

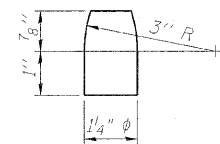
INTEGRAL ABUTMENT FIXED BEARING DETAILS



ELEVATION AT PIER

SECTION B-B

FIXED PIER BEARING DETAILS



PINTLE

Notes:

- Anchor bolts shall be ASTM F1554 all-thread (or an Engineer-approved alternate material) of the grade(s) and diameter(s) specified. The corresponding specified grade of AASHTO M314 anchor bolts may be used in lieu of ASTM F1554.
- Anchor bolts may be either cast in place or installed in holes drilled after the supported member is in place.
- Drilled and set anchor bolts shall be installed according to Article 521.06 of the Standard Specifications.
- Steel members required for the bearing assembly shall be included in the cost of Structural Steel.
- Two 1/8 in. adjusting shims shall be provided for each bearing in addition to all other plates or shims and placed as shown on bearing details.
- The anchor bolt lengths shown are the required total lengths for cast-in-place headed anchor bolts. The required total length for the sealed capsule alternate anchor bolt shall be according to the manufacturer's recommendations.
- The structural steel plates and pintles of the Bearing Assembly shall conform to the requirements of AASHTO M270 Grade 50W.
- The anchor bolt sizes and grades shown constitute a calculated seismic structural fuse. Substitution of higher diameter and/or grade anchor bolts will not be allowed.

BILL OF MATERIAL

Item	Unit	Total
Anchor Bolts, 1"	Each	48

BEARING DETAILS
STRUCTURE NO. 076-0029

PROFESSIONAL DESIGN FIRM LICENSE #184-001084 © Copyright Hanson Professional Services Inc. 2010		DES. NO. 08H0131	SHEET NO. 20	F.A.P. RTE. 885	SECTION 6B-2	COUNTY Pope	TOTAL SHEETS 48	SHEET NO. 39
		DATE 05/21/10	29 SHEETS	CONTRACT NO. 78141		ILLINOIS FED. AID PROJECT		