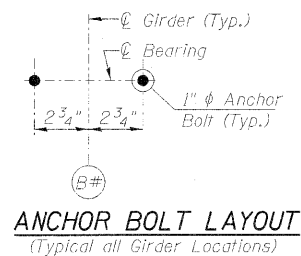
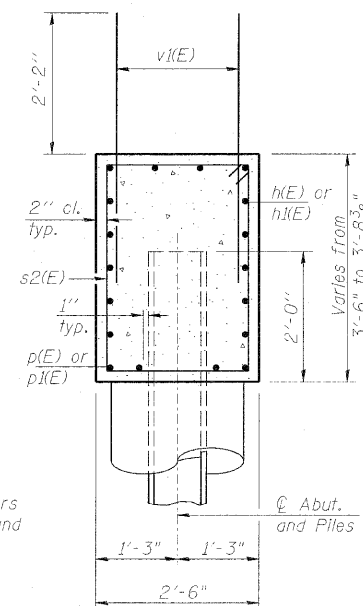
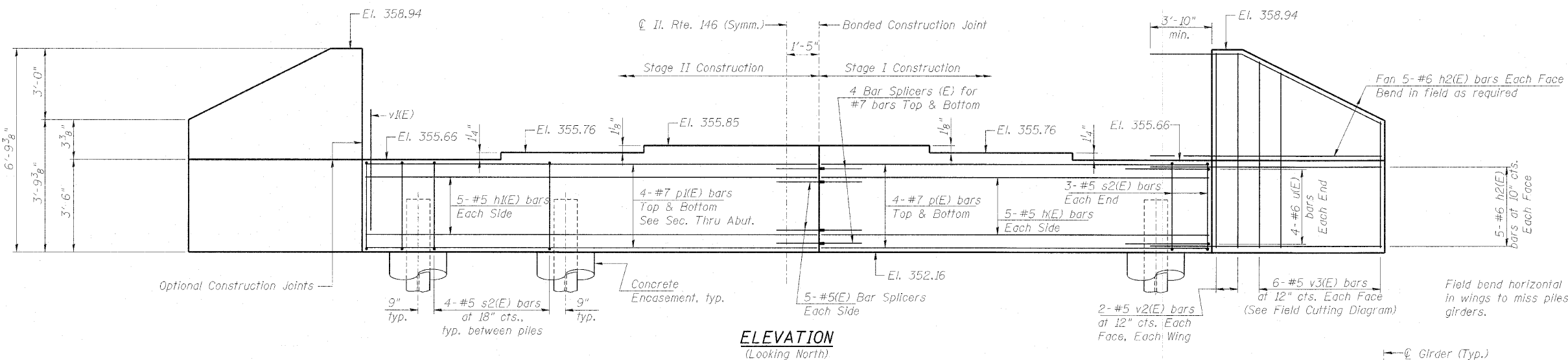


STATE OF ILLINOIS  
DEPARTMENT OF TRANSPORTATION

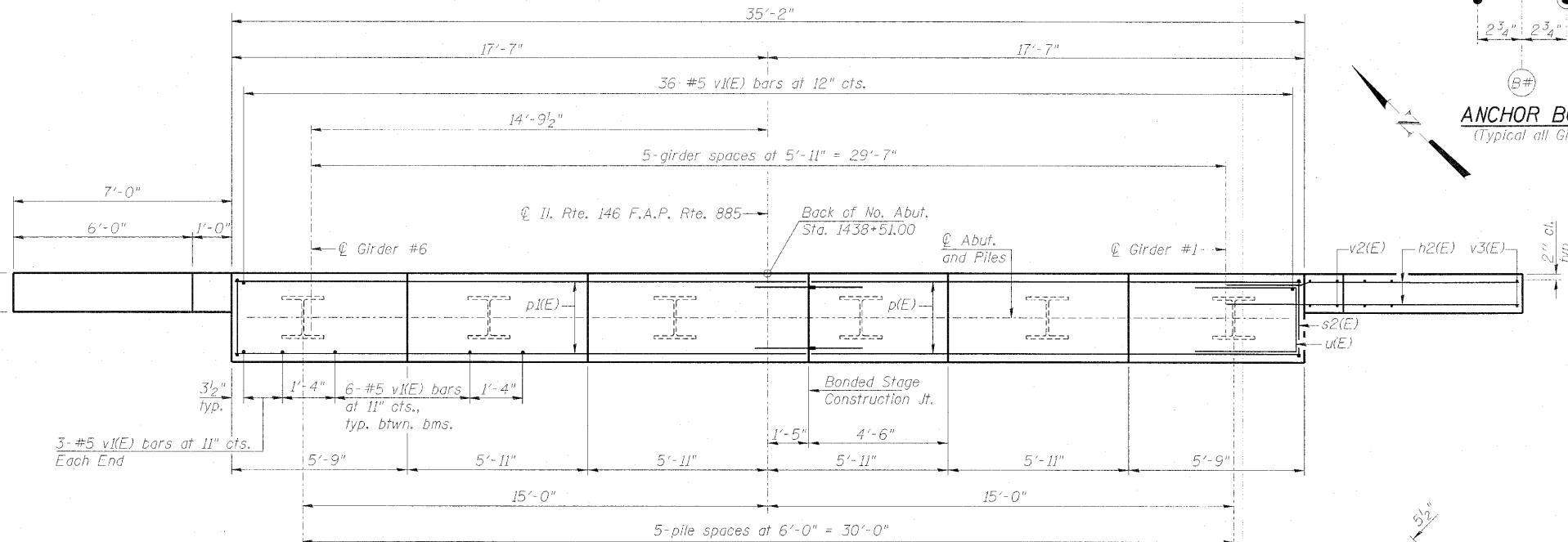
Notes:  
Pour steps monolithically with cap.



**BILL OF MATERIAL (No. Abut.)**

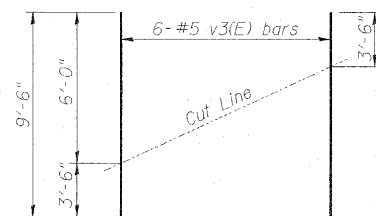
Bar	No.	Size	Length	Shape
h1(E)	10	#5	15'-10"	—
h2(E)	10	#5	18'-8"	—
h2(E)	40	#6	10'-10"	—
p1(E)	8	#7	15'-10"	—
p1(E)	8	#7	18'-8"	—
s2(E)	26	#5	11'-7"	□
u(E)	8	#6	9'-9"	—
v1(E)	72	#5	4'-4"	—
v2(E)	8	#5	6'-5"	—
v3(E)	12	#5	9'-6"	—
Structure Excavation			Cu. Yd.	72
Concrete Structures			Cu. Yd.	14.6
Reinforcement Bars, Epoxy Coated			Pound	2500
Furnishing Steel Piles, HP14x89			Foot	225
Driving Piles			Foot	225
Test Pile, HP14x89			Each	1
Concrete Encasement			Cu. Yd.	3.3

For details of Bar Splicers, see sheet 26 of 29.  
For details of piles and Concrete Encasement, see sheet 25 of 29.



**PILE DATA**

Type: HP 14x89  
Nominal Required Bearing: 705 kips  
Factored Resistance Available: 352 kips  
Factored Resistance Available During an Extreme Event 1: 705 kips  
Est. Length: 45 Feet  
No. Production Piles: 5  
No. Test Piles: 1 (In Stage I Area)



**FIELD CUTTING DIAGRAM**

Order v3(E) full length. Cut as shown and use remainder of bars in opposite face.

PROFESSIONAL DESIGN FIRM LICENSE #184-001084

© Copyright Hanson Professional Services Inc. 2010



JOB NO. 08H0131	SHEET NO. 21	F.A.P. RTE. 885	SECTION 6B-2	COUNTY Pope	TOTAL SHEETS 48	SHEET NO. 40
DATE 05/21/10	29 SHEETS	CONTRACT NO. 78141		ILLINOIS FED. AID PROJECT		