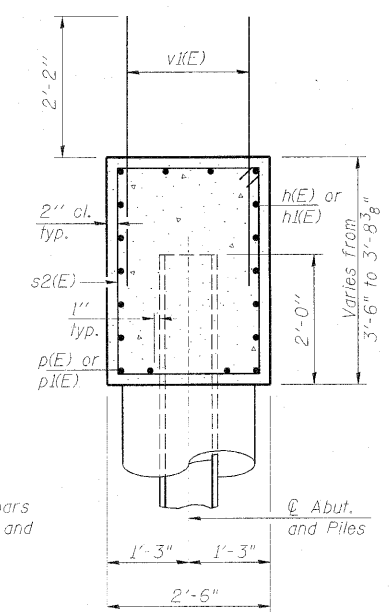
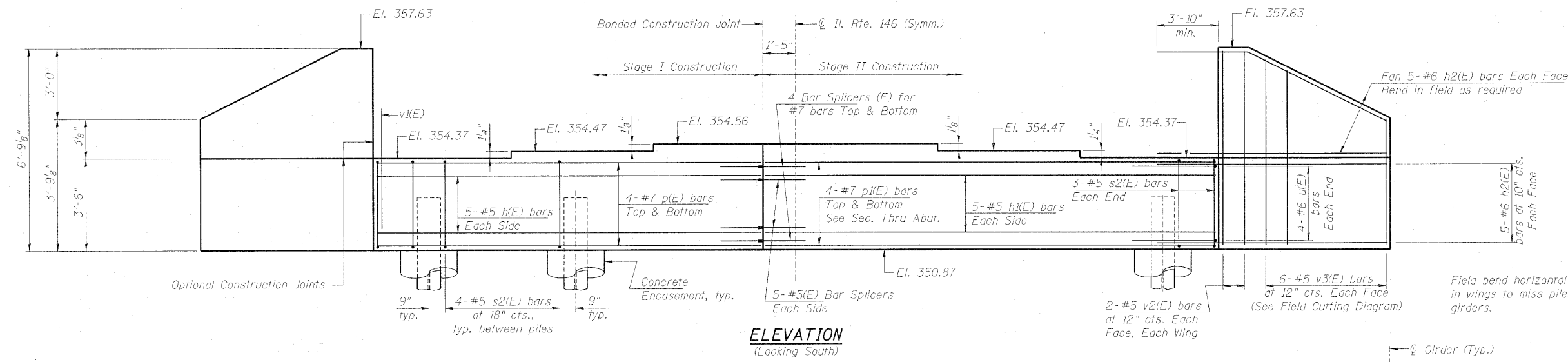
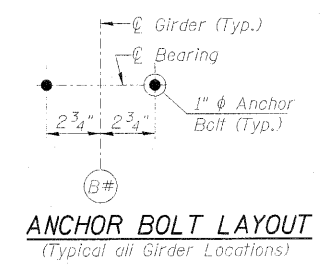


STATE OF ILLINOIS
DEPARTMENT OF TRANSPORTATION

Notes:
Four steps monolithically with cap.



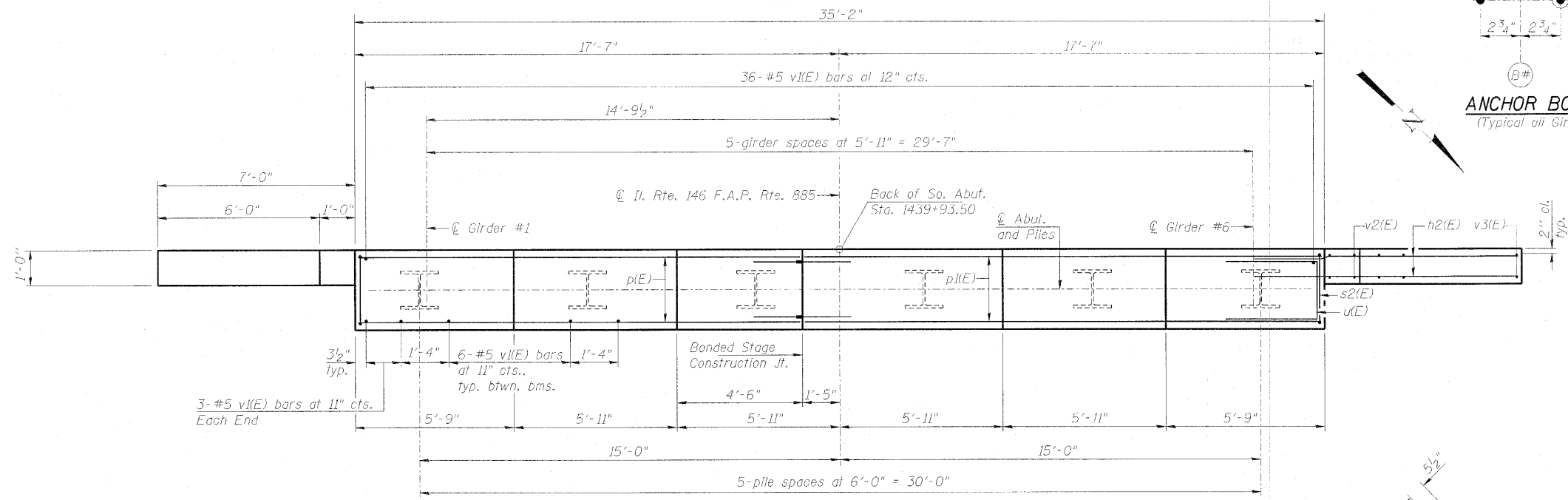
ELEVATION
(Looking South)



BILL OF MATERIAL (So. Abut.)

Bar No.	Size	Length	Shape
h(E)	10 #5	15'-10"	—
h1(E)	10 #5	18'-8"	—
h2(E)	10 #6	10'-10"	—
p(E)	8 #7	15'-10"	—
p1(E)	8 #7	18'-8"	—
s2(E)	26 #5	11'-7"	□
u(E)	8 #6	9'-9"	—
v1(E)	72 #5	4'-4"	—
v2(E)	8 #5	6'-5"	—
v3(E)	12 #5	9'-6"	—
Structure Excavation	Cu. Yd.	72	
Concrete Structures	Cu. Yd.	14.6	
Reinforcement Bars, Epoxy Coated	Pound	2500	
Furnishing Steel Piles, HP14x89	Foot	220	
Driving Piles	Foot	220	
Test Pile, HP14x89	Each	1	
Concrete Encasement	Cu. Yd.	3.3	

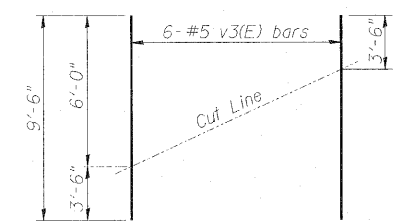
For details of Bar Splicers, see sheet 26 of 29.
For details of piles and Concrete Encasement, see sheet 25 of 29.



PLAN

PILE DATA

Type: HP 14x89
Nominal Required Bearing: 705 kips
Factored Resistance Available: 352 kips
Factored Resistance Available During an Extreme Event 1: 568 kips
Est. Length: 44 Feet
No. Production Piles: 5
No. Test Piles: 1 (1n Stage I Area)



FIELD CUTTING DIAGRAM

Order v3(E) full length. Cut as shown and use remainder of bars in opposite face.

PROFESSIONAL DESIGN FIRM LICENSE #184-001084

© Copyright Hanson Professional Services Inc. 2010



JOB NO. 08H0131
DATE 05/21/10
SHEET NO. 22
29 SHEETS

F.A.P. RTE.	SECTION	COUNTY	TOTAL SHEETS	SHEET NO.
885	6B-2	Pope	48	41
CONTRACT NO. 78141				
ILLINOIS FED. AID PROJECT				

**SOUTH ABUTMENT
STRUCTURE NO. 076-0029**