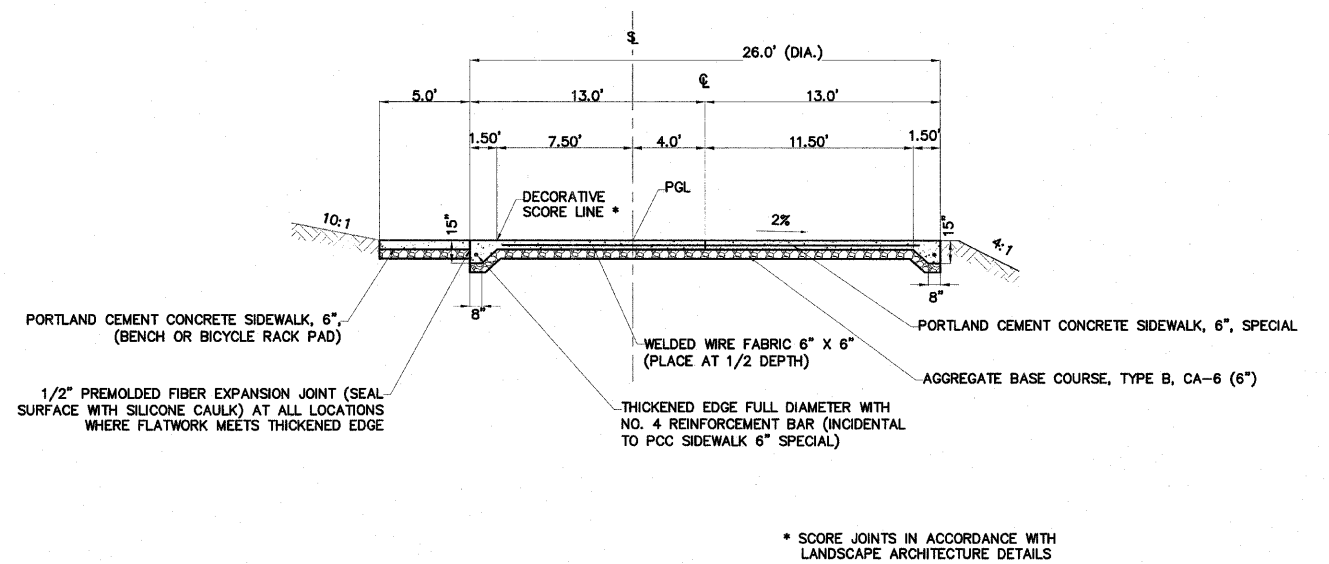
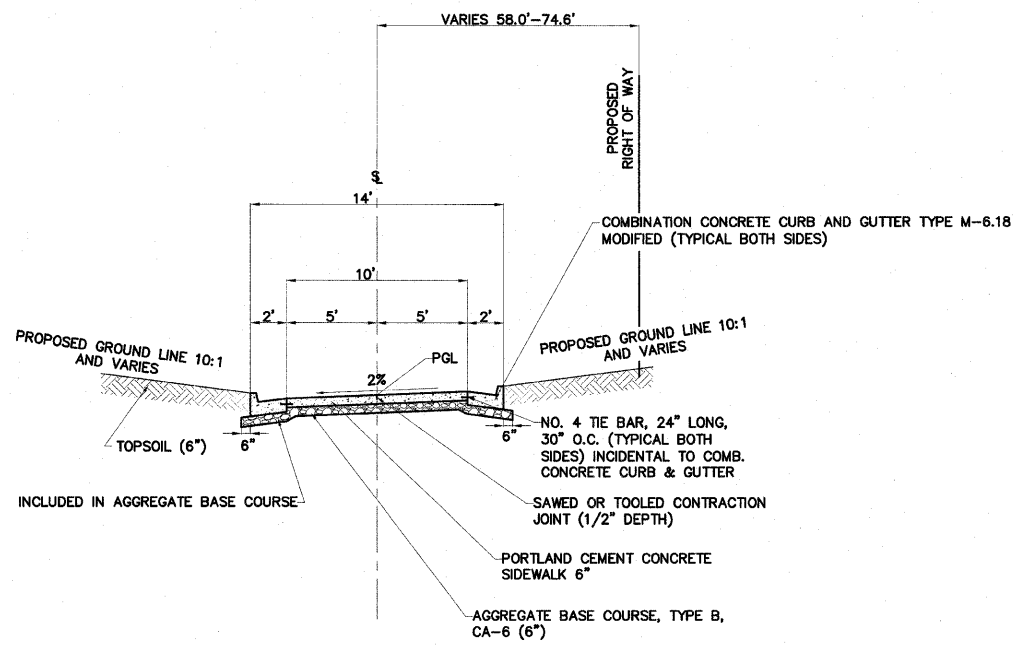


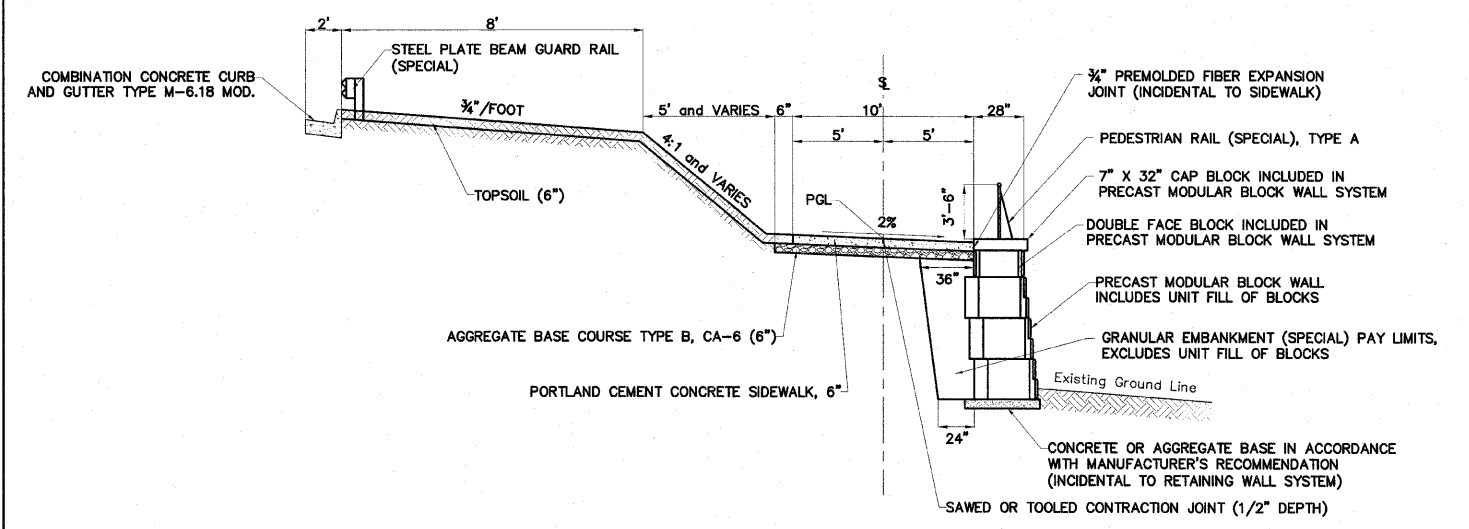
**PROPOSED TYPICAL SECTION
STATION 203+01 to 203+51**



**PROPOSED TYPICAL SECTION
STATION 203+51 to 203+76
STATION 205+60 to 205+86**



**PROPOSED TYPICAL SECTION
STATION 203+76 to 205+60**



**PROPOSED TYPICAL SECTION
STATION 205+86 to 206+90**

SHEET REVIEW	
AGENCY	DATE

REVISIONS		
NO.	ITEM	DATE

SCALE:	N/A
DRAWN BY:	MS
CHECKED BY:	JWH
DATE:	AUGUST 13, 2010

McClure
Engineering Associates, Inc.
7282 Argus Drive Rockford, Illinois 61107-5837
(815) 398-2332 FAX (815) 398-2496
Design Firm License: Illinois 184-000816
Copyright 2010 By McClure Engineering Associates, Inc.

TYPICAL SECTION	
RIVERWALK MUSEUM CAMPUS	
711 NORTH MAIN STREET	ROCKFORD, IL
FILE:H:\08-008 RIVERWALK MUSEUM\DESIGN\DRAWINGS\08-008 TYPICAL SECTIONS.DWG	JOB:04-28-10-008

H:\08-008 Riverwalk Museum\DESIGN\DRAWINGS\08-008 TYPICAL SECTIONS.dwg, TYPSECT-MUSEUM 2, 10/25/2010 3:11:52 PM, MEAL, Oca D+ 24x36 in (Landscape), 1:1