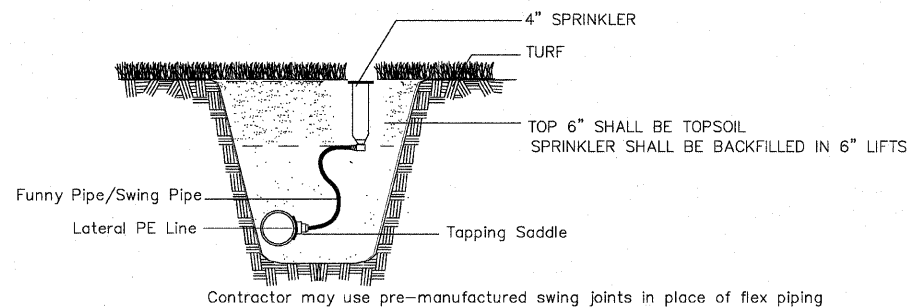


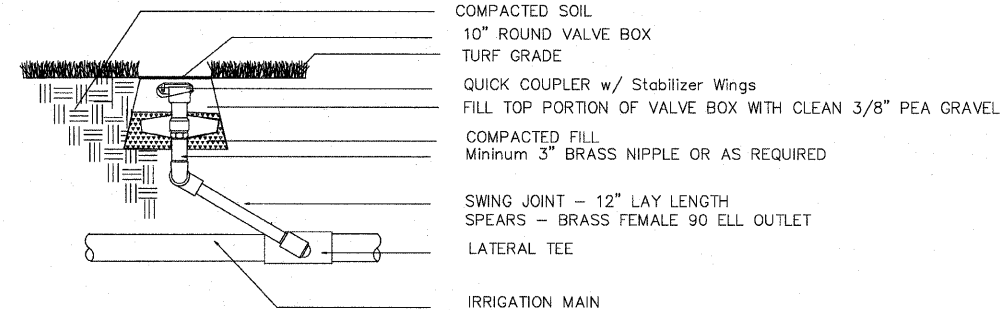
**1 SPRINKLER HEAD**

NO SCALE



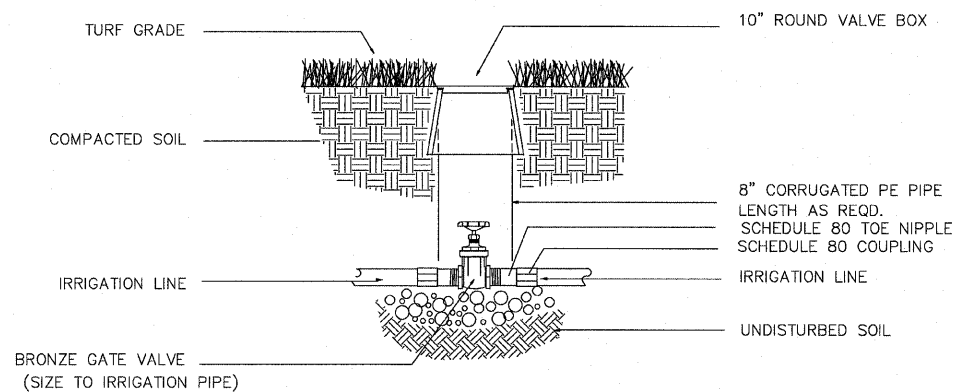
**2 SPRINKLER HEAD**

NO SCALE



**3 QUICK COUPLER VALVE**

NO SCALE

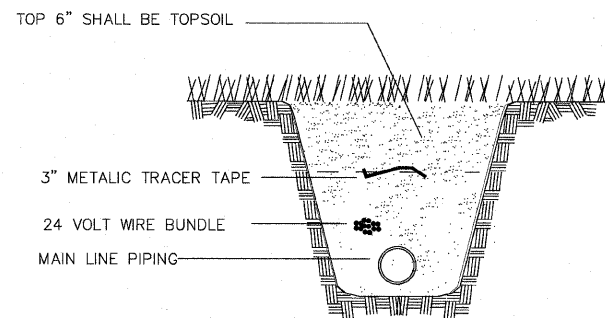


**4 ISOLATION VALVE 3" and SMALLER**

NO SCALE

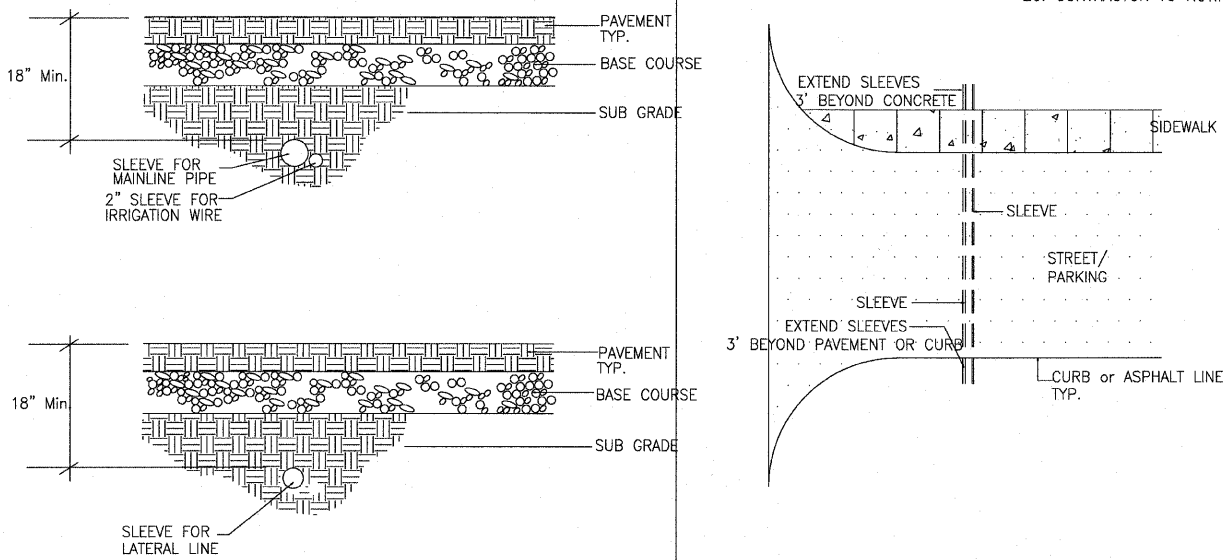
**GENERAL IRRIGATION NOTES**

- CONTACT ALL UTILITIES AND GENERAL CONTRACTOR AT LEAST 5 DAYS PRIOR TO THE START OF CONSTRUCTION.
- MAINTAIN ALL CODES REQUIRED BY LOCAL AUTHORITIES.
- COORDINATE ELECTRICAL HOOKUP WITH GENERAL CONTRACTOR, ELECTRICIAN AND OWNER
- COORDINATE ALL SLEEVES AND PENETRATIONS WITH GENERAL CONTRACTOR  
IRRIGATION CONTRACTOR IS RESPONSIBLE FOR BORES, SLEEVES OR PENETRATIONS RELATED TO THE IRRIGATION
- IRRIGATION HEADS AND LINES ARE SCHEMATIC - FIELD ADJUSTMENTS MAY BE REQUIRED
- INSTALL ALL PIPING AND FITTINGS USING GLUE METHODS CONSISTANT WITH MANUFACTURER'S RECOMMENDATIONS
- MAINLINE PIPING SHALL BE INSTALLED AT MINIMUM OF 12"  
LATERAL LINES SHALL BE INSTALLED AT A MINIMUM DEPTH OF 12"
- CAP OR PLUG ALL OPENINGS AS SOON AS LINES ARE INSTALLED TO PREVENT DEBRIS IN THE LINE.
- THOROUGHLY FLUSH ALL LINES PRIOR TO THE OPERATION OF SPRINKLER HEADS.
- INSTALL WIRES A MIN. OF 10" BELOW GRADE.  
- SPLICES ARE NOT ALLOWED IN THE TRENCH.  
- PROVIDE A 24" EXPANSION LOOP AT EACH CHANGE IN DIRECTION.
- THE IRRIGATION SYSTEM SHALL BE TESTED AT OPERATING PRESSURE FOR A MINIMUM OF 4 HOURS. REPAIR ALL LEAKS AND RETEST AFTER CURING.
- UPON COMPLETION OF TEST, COMPLETE ASSEMBLY OF ALL EQUIPMENT AND SPRINKLERS FOR PROPER DISTRIBUTION.
- PROVIDE 'AS BUILT' DRAWINGS SHOWING ALL COMPONENTS OF THE SYTEM PRIOR TO FINAL PAYMENT.  
PROVIDE FINAL GPM OF ZONES, WIRE RUNS, HEADS, VALVES, PIPE SIZES ETC...
- SLEEVE UNDER ROAD, WALLS, PAVERS, AND DRIVES  
-SLEEVE WIRE AND PIPING SEPARATELY, SEE PLAN FOR SIZING  
-ALL DECODER WIRING TO BE SLEEVED IN A MINIMUM 2" SLEEVE
- ALL GASKETED PRESSURE PIPE AND FITTINGS SHALL BE THRUST BLOCKED.  
NO CONCRETE PREFORMED BLOCKS WILL BE ALLOWED.
- ALL EXISTING UTILITIES WHICH ARE NOT SHOWN ON THESE DOCUMENTS WHICH NEED TO BE REMOVED, RELOCATED AND/OR ADJUSTED SHALL BE THE RESPONSIBILITY OF THE IRRIGATION CONTRACTOR.
- ALL BIDDERS SHALL VISIT AND REVIEW THE SITE AND FAMILIAR THEMSELVES WITH THE SITE PRIOR TO SUBMITTING A BID.
- CONTRACTOR TO PROVIDE BLOW OUT TAP ON THE DISCHARGE DROP PIPE
- CONTRACTOR IS RESPONSIBLE FOR SUBMITTING AND ACQUIRING ALL PERMITS
- CONTRACTOR TO NOTIFY ENGINEER PRIOR TO BEGINNING WORK IF STATIC PRESSURE IS LESS THAN 50PSI



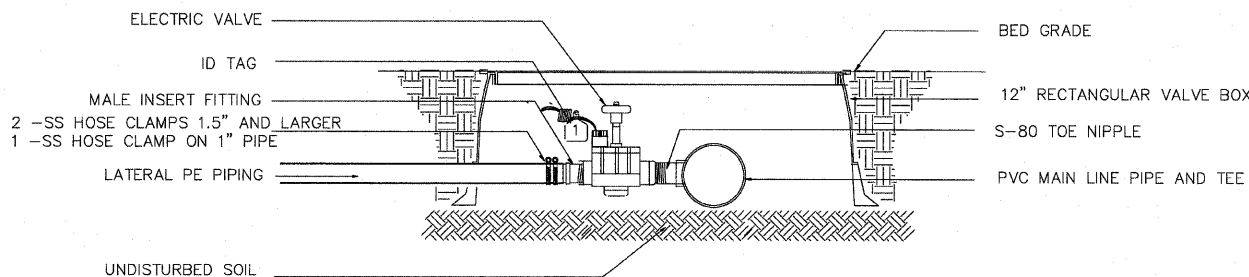
**5 WIRE TRENCH**

NO SCALE



**6 SLEEVING**

NO SCALE



**7 ELECTRIC VALVE - PE PIPE**

NO SCALE

SHEET REVIEW	
AGENCY	DATE

REVISIONS		
NO.	ITEM	DATE

SCALE: Hor. 1"=30'  
DRAWN BY: DPF  
CHECKED BY: DPF  
DATE: 9/3/2010