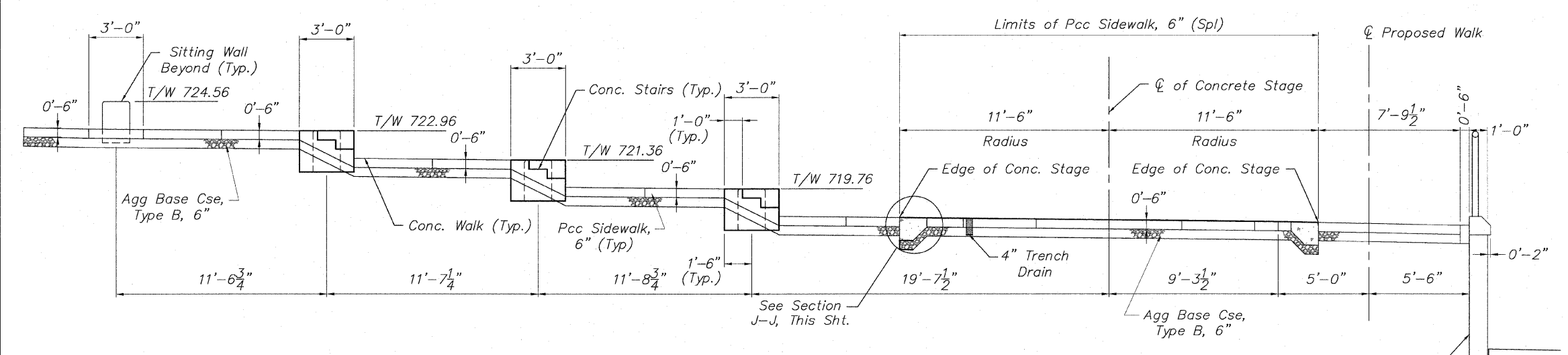
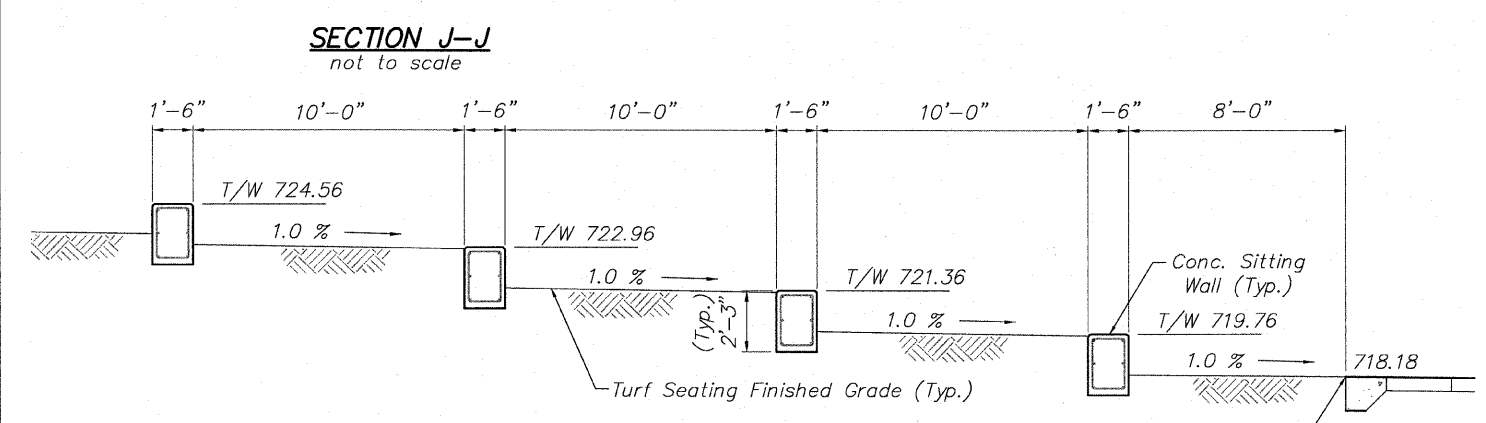
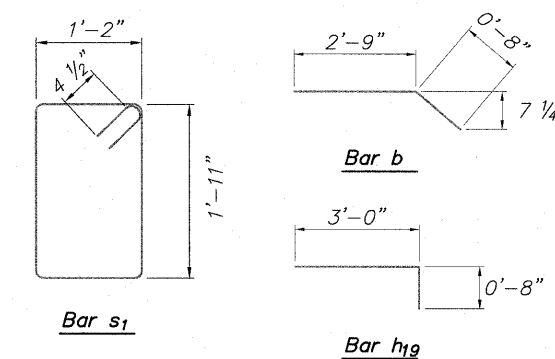
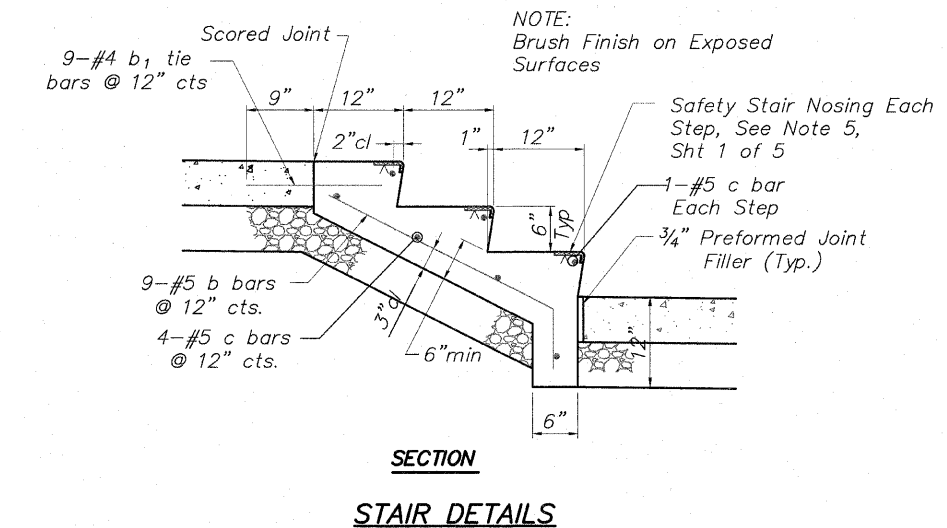
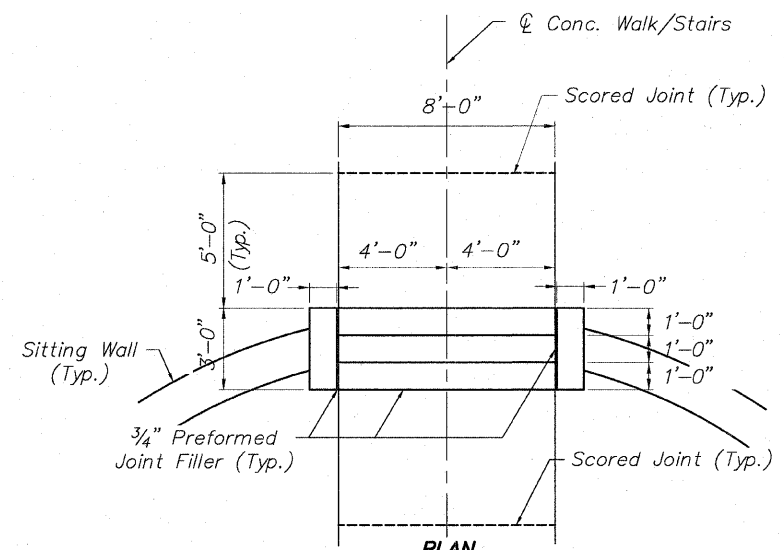
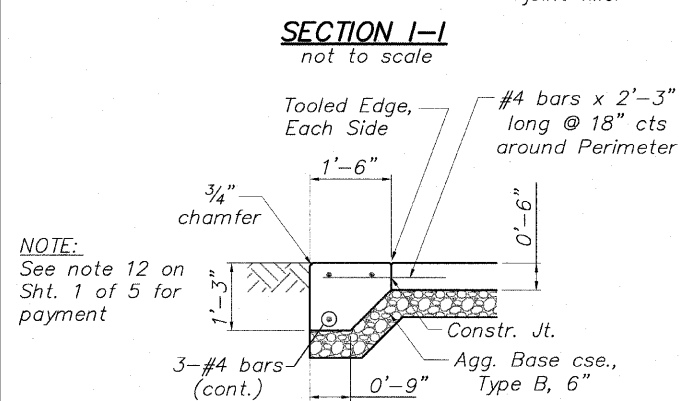
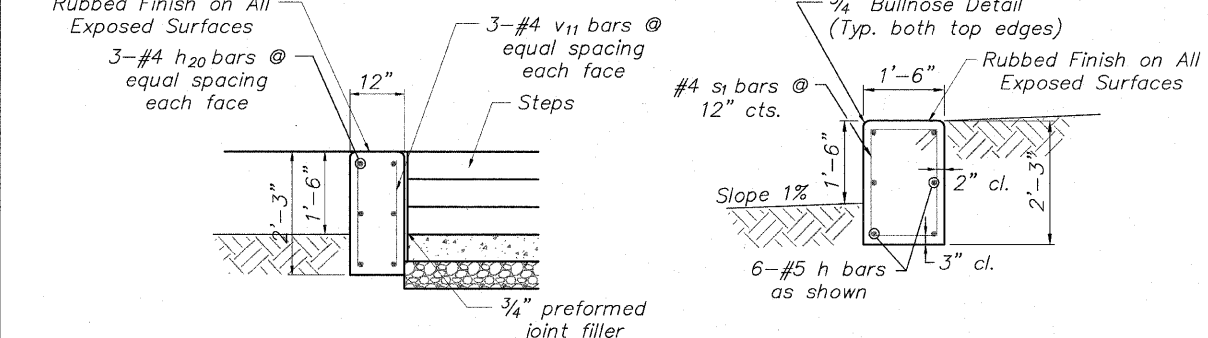


For Sitting Walls, End Walls & Stairs

Bar	No.	Size	Length	Shape
b ₁	27	#5	3'-5"	
b	27	#4	1'-6"	
c	21	#5	7'-8"	
h ₁₁	6	#5	15'-10"	19'-8"R
h ₁₂	6	#5	17'-3"	20'-10"R
h ₁₃	6	#5	28'-11"	31'-2"R
h ₁₄	6	#5	30'-3"	32'-4"R
h ₁₅	12	#5	22'-1"	42'-8"R
h ₁₆	12	#5	22'-11"	43'-10"R
h ₁₇	12	#5	28'-7"	54'-2"R
h ₁₈	12	#5	29'-3"	55'-4"R
h ₁₉	48	#5	3'-8"	
h ₂₀	48	#4	2'-8"	
v ₁₁	48	#4	1'-10"	
s ₁	300	#4	6'-9"	
Concrete Structures		Cu. Yd.	40.9	
Reinforcement Bars		Pound	3836	
Protective Coat		Sq. Yd.	122	
Rubbed Finish		Sq. Ft.	1102.2	



SITTING WALLS, STAIRS & SIDEWALK - DETAILS
RIVERWALK AMPHITHEATER
WINNEBAGO COUNTY
SECTION NO. 06-00543-00-BT
STATION 305+38.64

DESIGNED	CTB
CHECKED	AAG
DRAWN	JAW
CHECKED	JWH

McClure
Engineering Associates, Inc.
7282 Argus Drive
(815) 398-2332
Rockford, Illinois 61107-5837
Fax (815) 398-2498
Design Firm License: Illinois #184-000816
Copyright 2010 by McClure Engineering Associates, Inc.

SHEET NO. 5
5 SHEETS

F.A. RTE.	SECTION	COUNTY	TOTAL SHEETS	SHEET NO.
	06-00543-00-BT	WINNEBAGO	148	55
FED. ROAD DIST. NO.	ILLINOIS	FED. AID PROJECT	CONTRACT NO. 85521	

H:\05-08 RIVERWALK MUSEUM\DESIGN\DRAWINGS\STRUCTURAL\06-00543-00 AMPHITHEATER.DWG, AMPH STAIR DETAIL, 10/26/2010 2:26:57 PM, 11, JWH