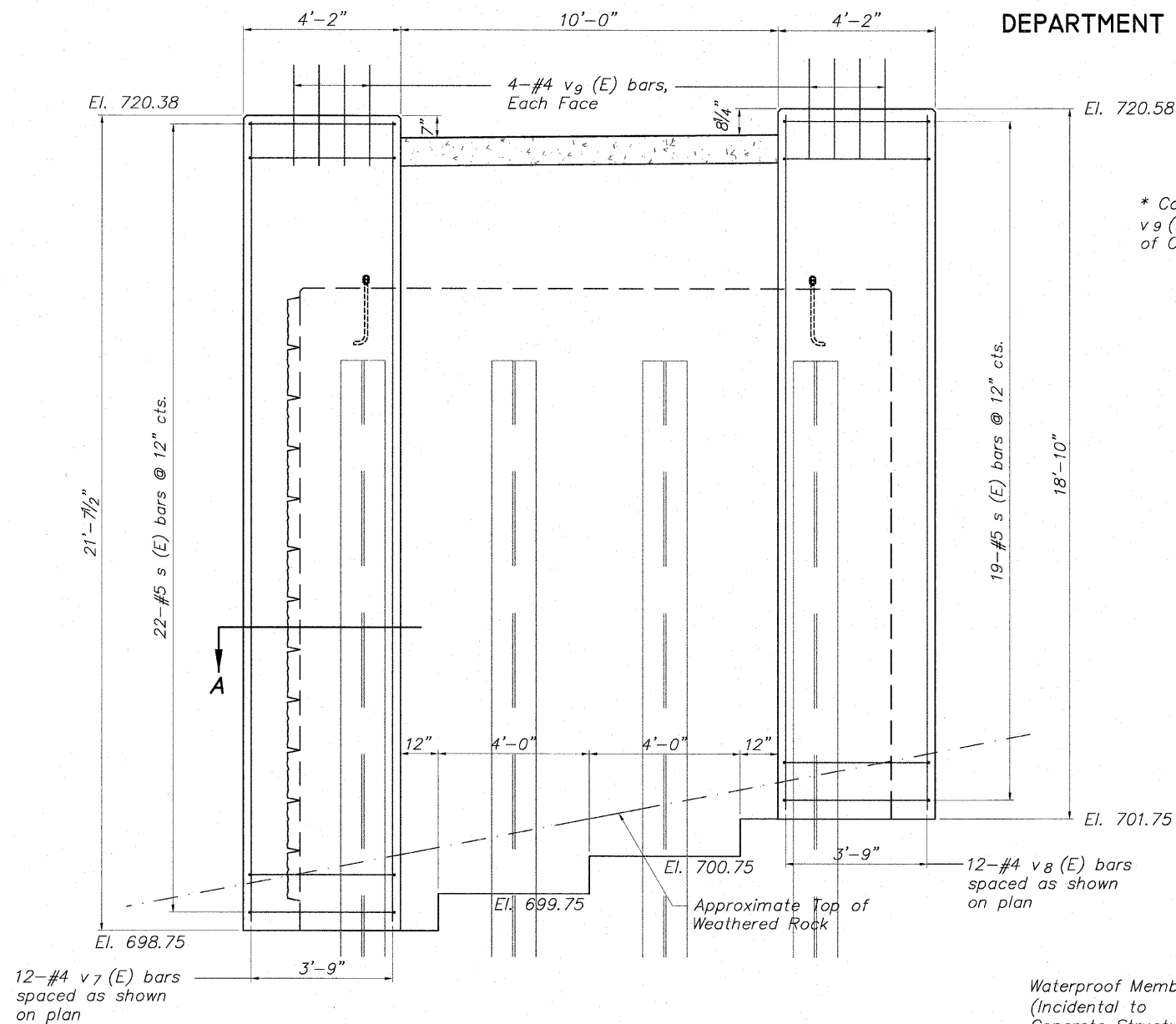
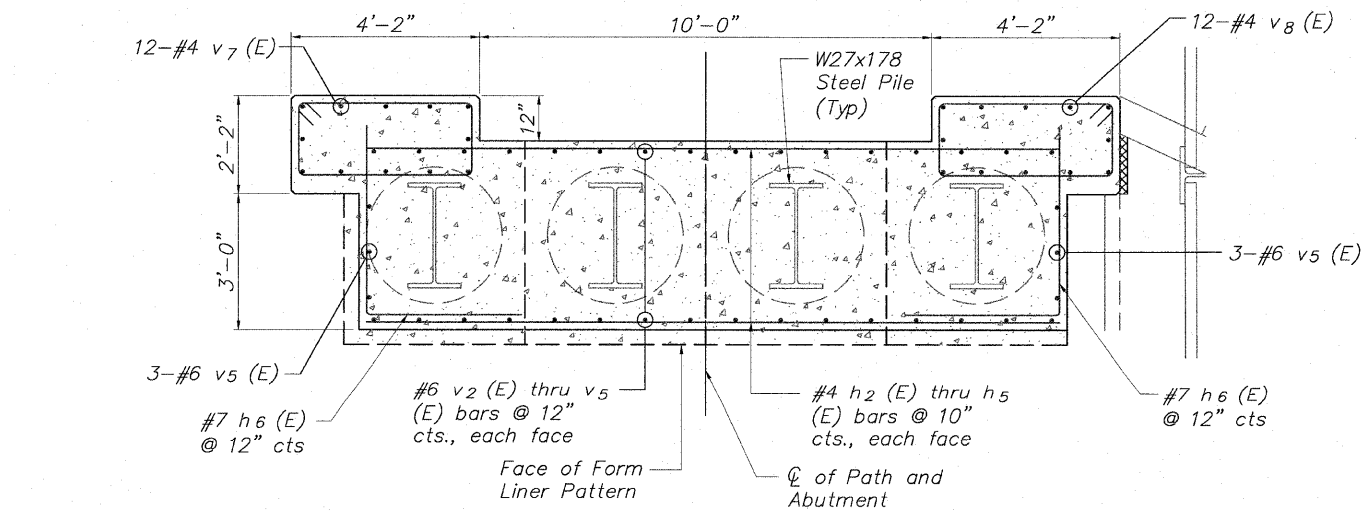


STATE OF ILLINOIS
DEPARTMENT OF TRANSPORTATION

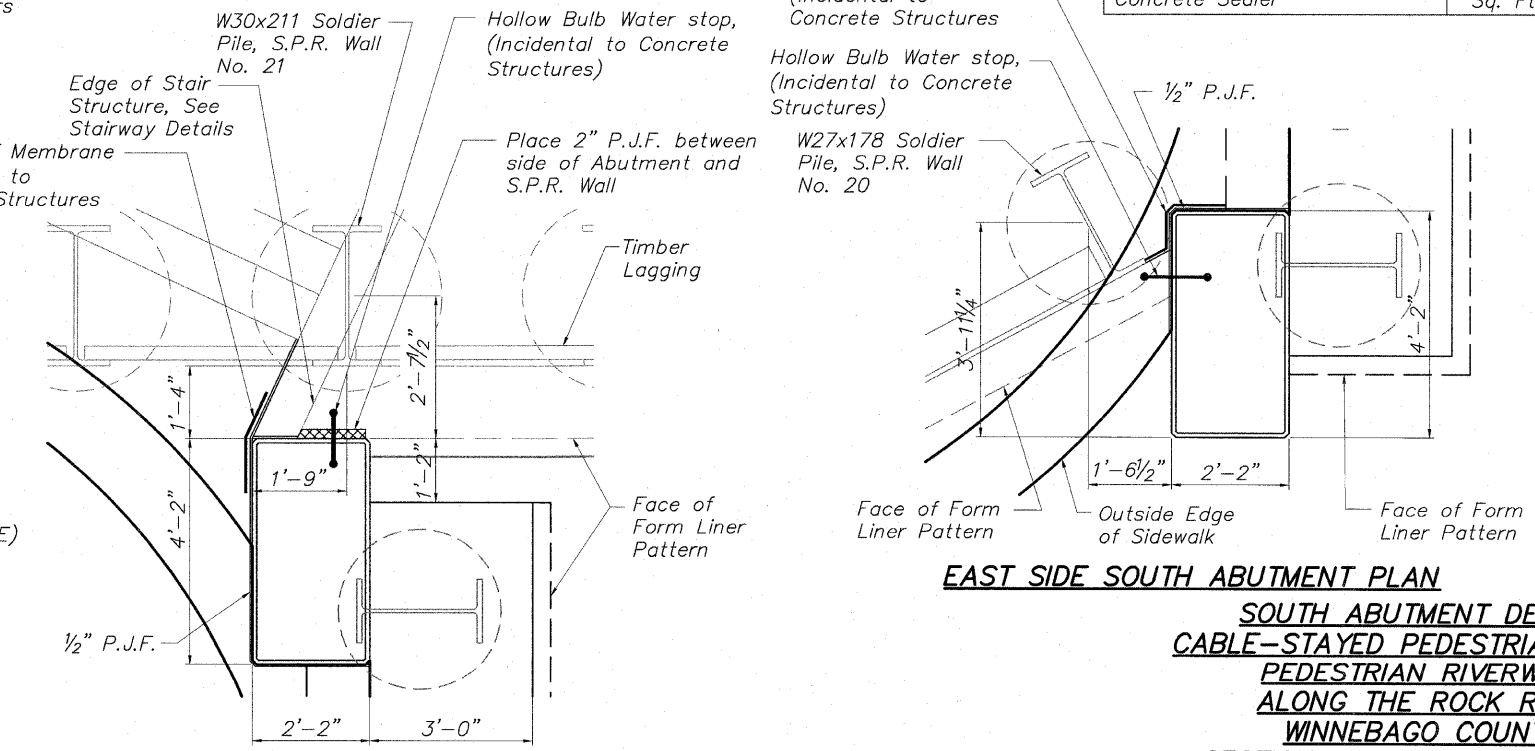
BILL OF MATERIAL
South Abutment For Struct. No. 101-6350



ELEVATION (Showing Column Reinforcement)
Looking South



SECTION A-A



WEST SIDE SOUTH ABUTMENT PLAN

EAST SIDE SOUTH ABUTMENT PLAN

**SOUTH ABUTMENT DETAILS
CABLE-STAYED PEDESTRIAN BRIDGE
PEDESTRIAN RIVERWALK
ALONG THE ROCK RIVER
WINNEBAGO COUNTY
SECTION NO. 06-00543-00-BT
STATION 209+48.25
STRUCTURE NO. 6350**

Bar	No.	Size	Length	Shape
h (E)	8	#4	9'-8"	—
h1 (E)	16	#4	4'-0"	—
h2 (E)	36	#7	15'-4"	—
h3 (E)	2	#7	11'-4"	—
h4 (E)	4	#7	7'-4"	—
h5 (E)	2	#7	3'-4"	—
h6 (E)	38	#7	7'-9"	┘
s (E)	41	#5	11'-7"	□
v (E)	10	#4	10'-10"	—
v1 (E)	16	#6	9'-0"	—
v2 (E)	11	#6	16'-7"	—
v3 (E)	8	#6	15'-7"	—
v4 (E)	8	#6	14'-7"	—
v5 (E)	11	#6	13'-7"	—
v6 (E)	10	#4	3'-8"	┘
v7 (E)	12	#4	21'-2"	—
v8 (E)	12	#4	18'-5"	—
v9 (E)	16	#4	2'-8"	—
Concrete Structures				Cu. Yd. 51.8
Reinforcement Bars (Epoxy Coated)				Pound 3,490
Structure Excavation				Cu. Yd. 38
Furnishing Steel Piles W Section W27x178				Foot 96
Setting Piles in Rock				Each 4
Geocomposite Wall Drain				Sq. Yd. 42.5
Form Liner Textured Surface				Sq. Ft. 276
Staining Concrete Structures				Sq. Yd. 0
Rock Excavation for Structures				Cu. Yd. 8.0
Concrete Sealer				Sq. Ft. 123

MINIMUM BAR LAP

- No. 4 bars 1'-8"
- No. 5 bars 2'-2"
- No. 6 bars 2'-7"
- No. 7 bars 3'-5"

DESIGNED	CTB
CHECKED	AAG
DRAWN	JAW
PEER REVIEWED	

McClure
Engineering Associates, Inc.
2882 Argus Drive
Rockford, Illinois 61107-5837
(815) 398-2332 Fax (815) 398-2496
Design Firm License: Illinois #184-000816
Copyright 2010 By McClure Engineering Associates, Inc.

SHEET NO. 6
II SHEETS

F.A. RTE.	SECTION	COUNTY	TOTAL SHEETS	SHEET NO.
	06-00543-00-BT	WINNEBAGO	148	61
CONTRACT NO.			85521	
FED. ROAD DIST. NO.	ILLINOIS	FED. AID PROJECT		

H:\08-08 RIVERWALK MUSEUM\DESIGN\DRAWINGS\STRUCTURAL\GPBE\08-08 BRIDGES-6350 SUB.DWG. STR6350 S ABUT (6). 10/26/2010 5:21:13 PM. H. JAW