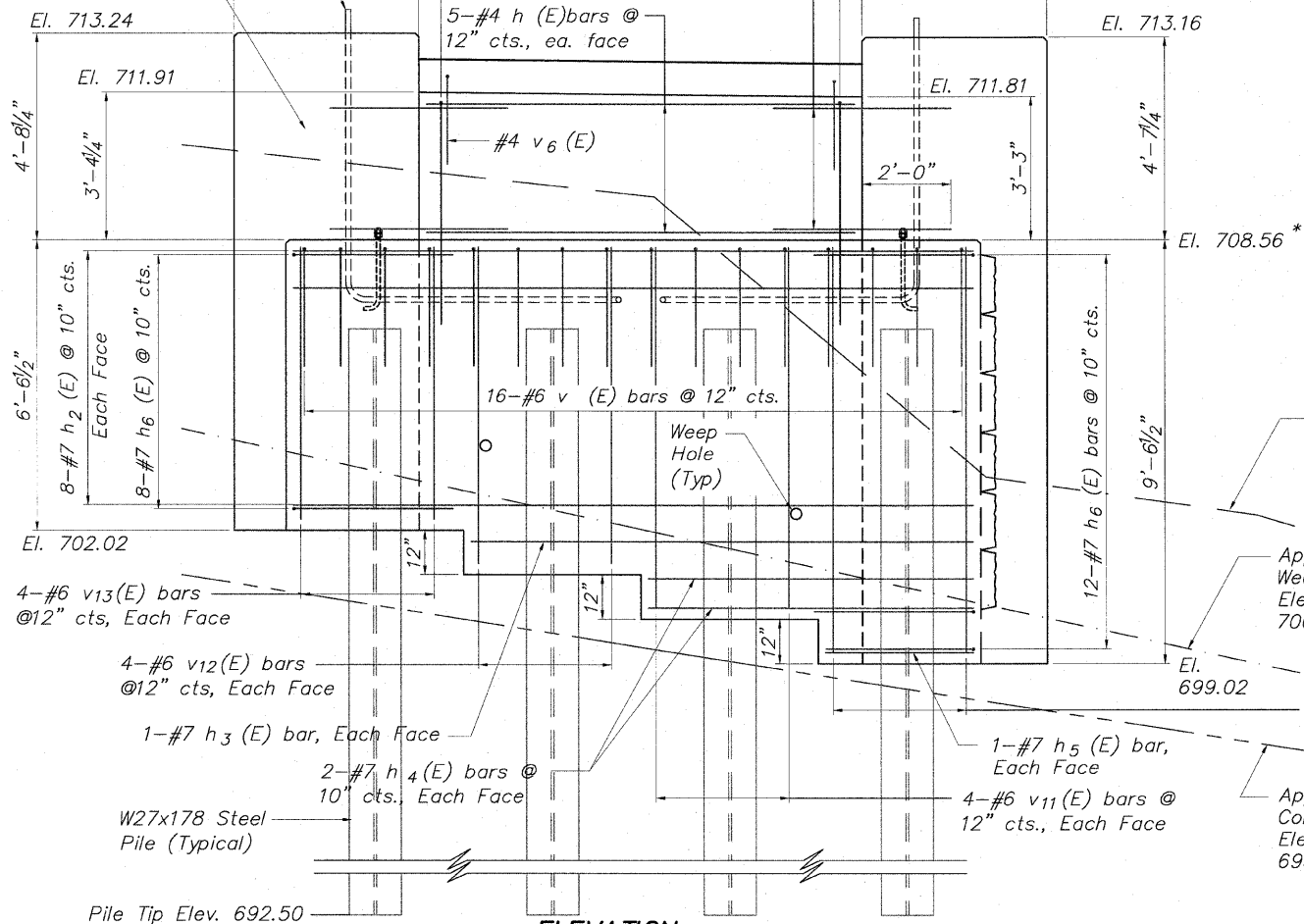


STATE OF ILLINOIS  
DEPARTMENT OF TRANSPORTATION

Provide 1 1/2" PVC Conduit for Column Lighting, Included in Cost for Masonry Column, Small. Coordinate Location with Column Masonry Units

Omit Form Liner Pattern. Column Bases to Receive Rubbed Finish (Typical)



**ELEVATION**  
Looking North

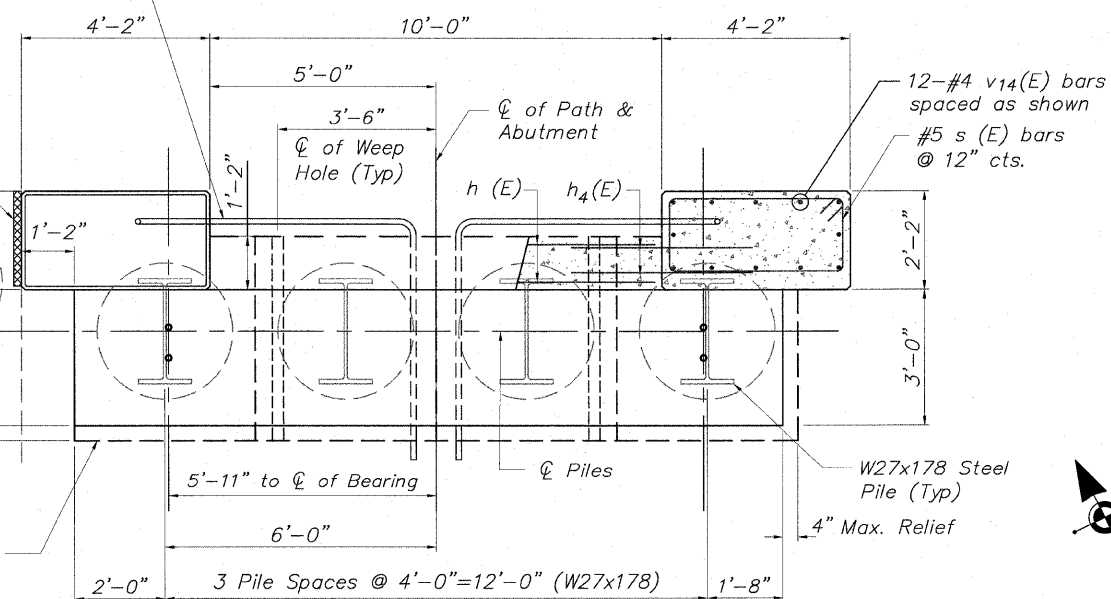
\* The Contractor shall Verify Elevations and Dimensions with the Bridge Manufacturer. Refer to the General Notes.

Provide 1 1/2" PVC Conduit for Column Lighting, Included in Cost for Masonry Column, Small. Coordinate Location with Column Masonry Units

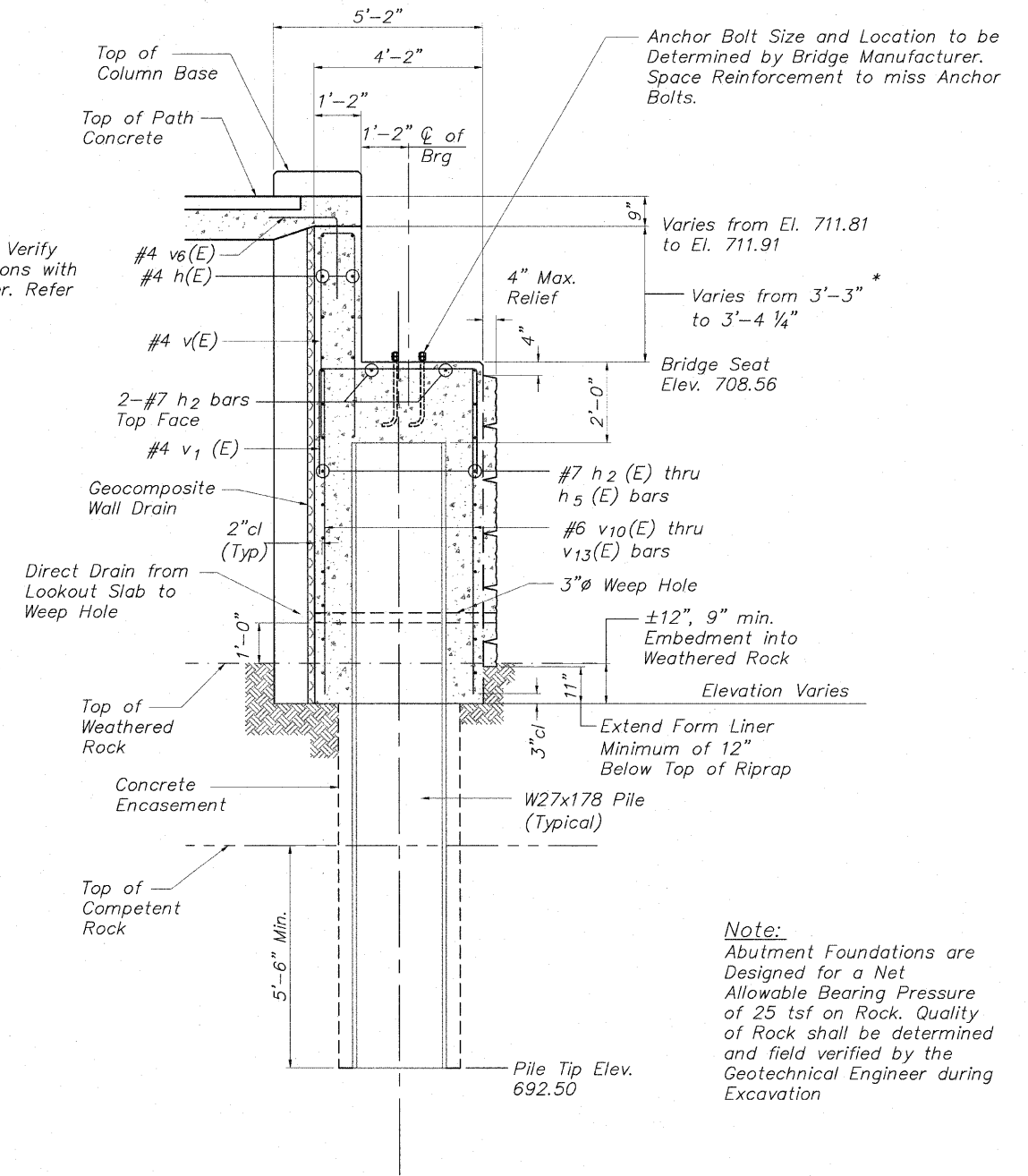
Place 2" P.J.F. between Side of Abutment and Wall

Back Face of S.P.R. Wall No. 21

Face of Form Liner Pattern



**PLAN**



**SEC THRU NORTH ABUT**

**Note:**  
Abutment Foundations are Designed for a Net Allowable Bearing Pressure of 25 tsf on Rock. Quality of Rock shall be determined and field verified by the Geotechnical Engineer during Excavation

**NORTH ABUTMENT DETAILS  
CABLE-STAYED PEDESTRIAN BRIDGE  
PEDESTRIAN RIVERWALK  
ALONG THE ROCK RIVER  
WINNEBAGO COUNTY  
SECTION NO. 06-00543-00-BT  
STATION 209+48.25  
STRUCTURE NO. 6350**

DESIGNED	CTB
CHECKED	AAG
DRAWN	JAW
PEER REVIEWED	

**McClure**  
Engineering Associates, Inc.  
7282 Argus Drive  
Rockford, Illinois 61107-5837  
(815) 398-2332 Fax (815) 398-2496  
Design Firm License: Illinois #194-000616  
Copyright ©2010 By McClure Engineering Associates, Inc.

SHEET NO. 7  
II SHEETS

F.A. RTE.	SECTION	COUNTY	TOTAL SHEETS	SHEET NO.
	06-00543-00-BT	WINNEBAGO	148	62
FED. ROAD DIST. NO.	ILLINOIS	FED. AID PROJECT	CONTRACT NO. 85521	