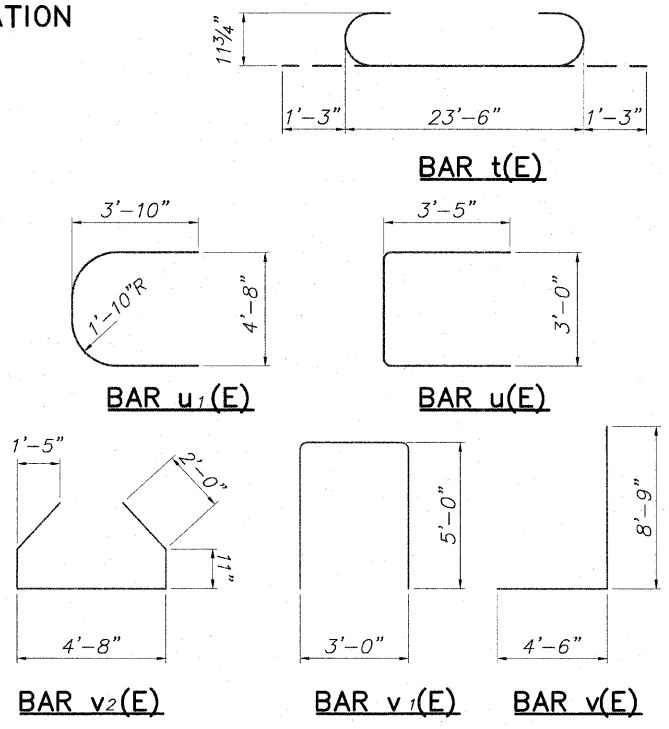
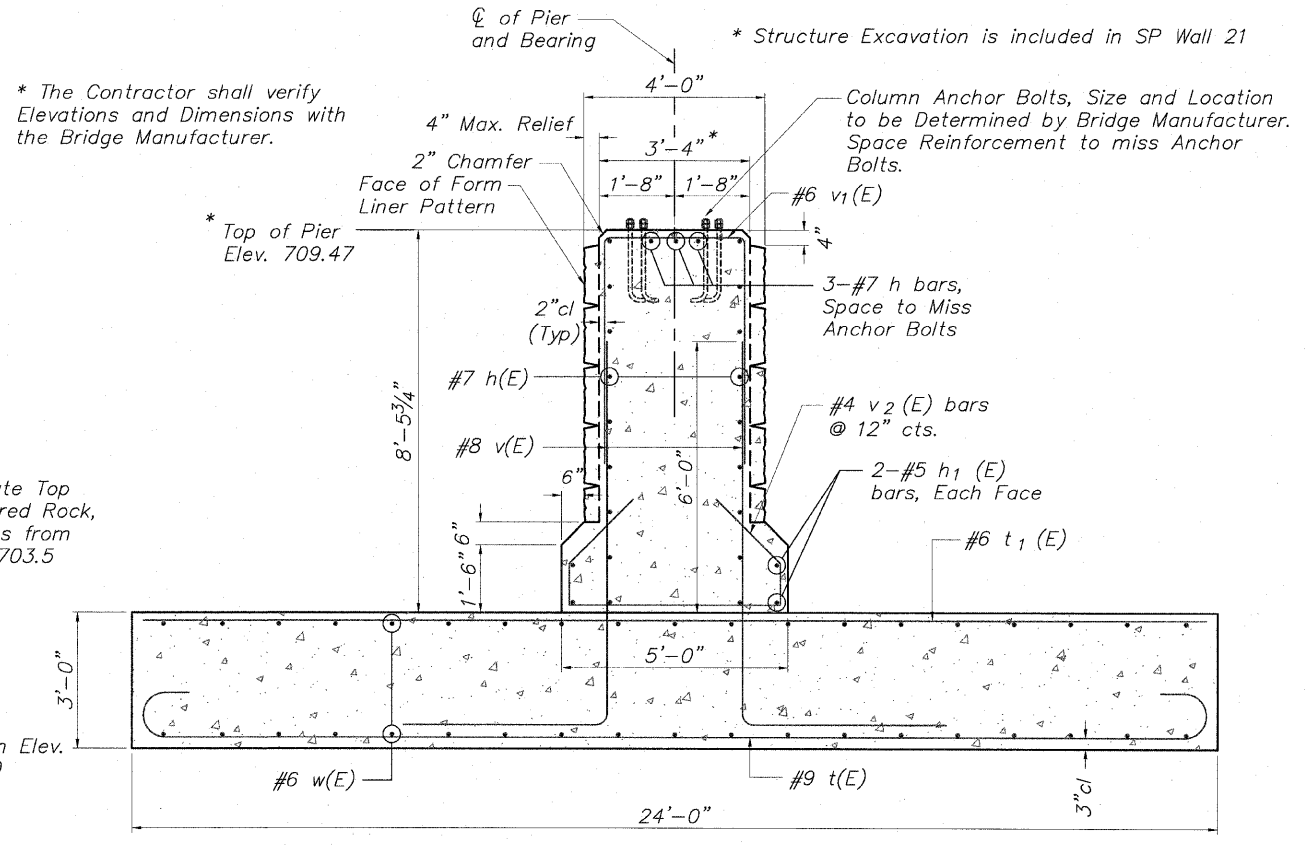
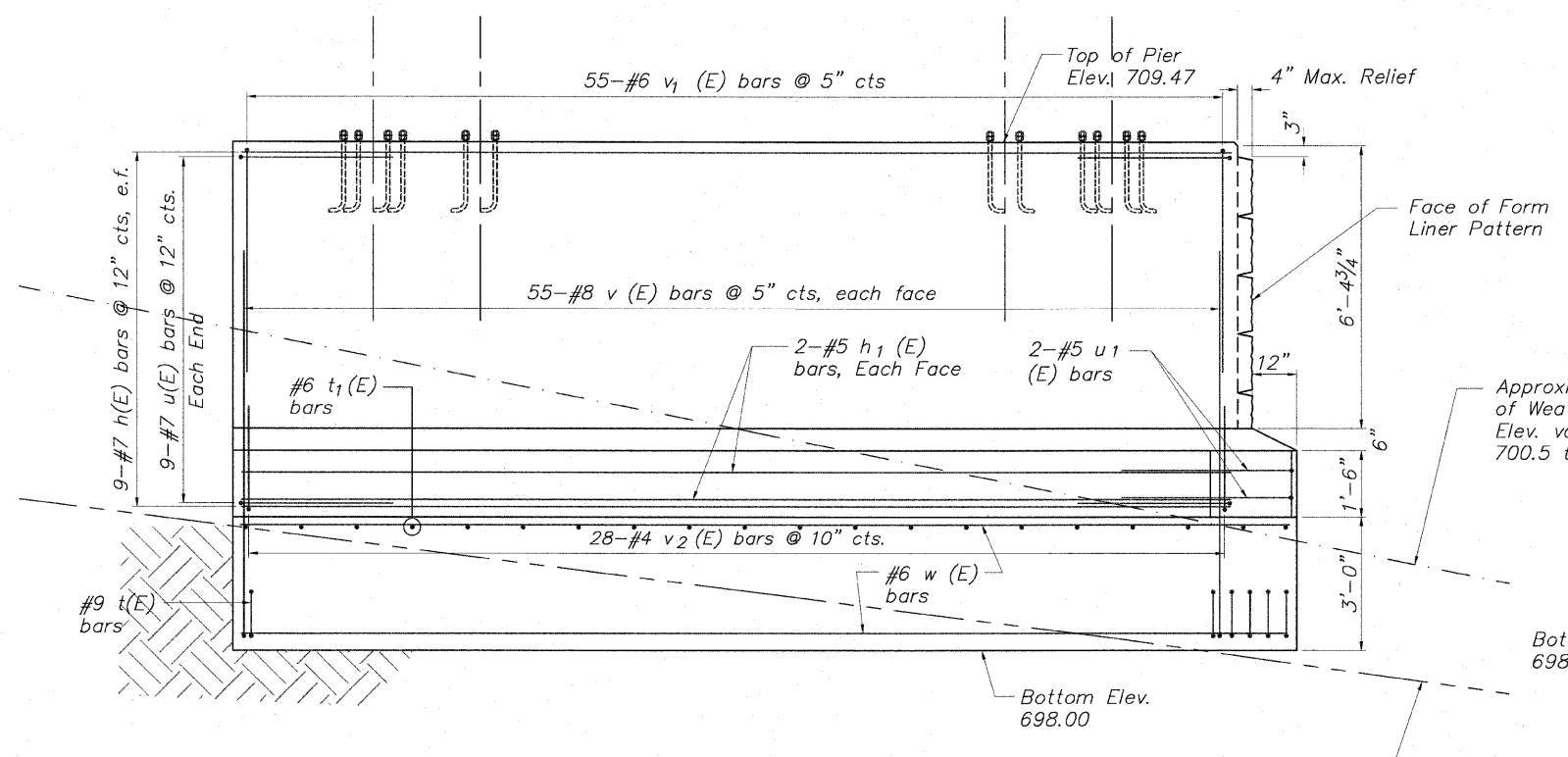


MINIMUM BAR LAP

No. 4 bars	1'-8"
No. 5 bars	2'-2"
No. 6 bars	2'-7"
No. 7 bars	3'-5"
No. 8 bars	4'-6"
No. 9 bars	5'-9"



Bar	No.	Size	Length	Shape
h (E)	21	#7	22'-4"	—
h ₁ (E)	4	#5	22'-4"	—
t (E)	59	#9	26'-0"	⌒
t ₁ (E)	20	#6	23'-6"	—
u (E)	18	#7	9'-10"	⌒
u ₁ (E)	2	#5	10'-9"	⌒
v (E)	110	#8	13'-3"	⌒
v ₁ (E)	55	#6	13'-0"	⌒
v ₂ (E)	28	#4	10'-6"	⌒
w (E)	40	#6	23'-6"	—
Concrete Structures			Cu. Yd.	94.7
Reinforcement Bars (Epoxy Coated)			Pound	13,891
Structure Excavation			Cu. Yd.	0 *
Form Liner Textured Surface			Sq. Ft.	303
Staining Concrete Structures			Sq. Yd.	0
Rock Excavation for Structures			Cu. Yd.	115
Concrete Sealer			Sq. Ft.	91



Note:
The Contractor shall notify the Engineer if Bottom of Footing Excavation is required below Elev. 698.00

ELEVATION

SECTION THRU PIER

PIER DETAILS
CABLE-STAYED PEDESTRIAN BRIDGE
PEDESTRIAN RIVERWALK
ALONG THE ROCK RIVER
WINNEBAGO COUNTY
STATION 209+48.25
STRUCTURE NO. 6350

DESIGNED	CTB
CHECKED	AAG
DRAWN	JAW
PEER REVIEWED	

McClure
Engineering Associates, Inc.
7282 Argus Drive
(815) 398-2332
Rockford, Illinois 61107-5837
Fax (815) 398-2496
Design Firm License: Illinois #184-000816
Copyright 2010 By McClure Engineering Associates, Inc.

SHEET NO. 9
II SHEETS

F.A. RTE.	SECTION	COUNTY	TOTAL SHEETS	SHEET NO.
	06-00543-00-BT	WINNEBAGO	148	64
CONTRACT NO.			85521	
FED. ROAD DIST. NO.	ILLINOIS	FED. AID PROJECT		

11-08-08 RIVERWALK MUSEUM DESIGN\DRAWINGS\STRUCTURAL\CPRE\08-008 BRIDGE-6350 SUB.DWG. STR 6350 PIER (9). 10/26/2010 5:16:03 PM. JH