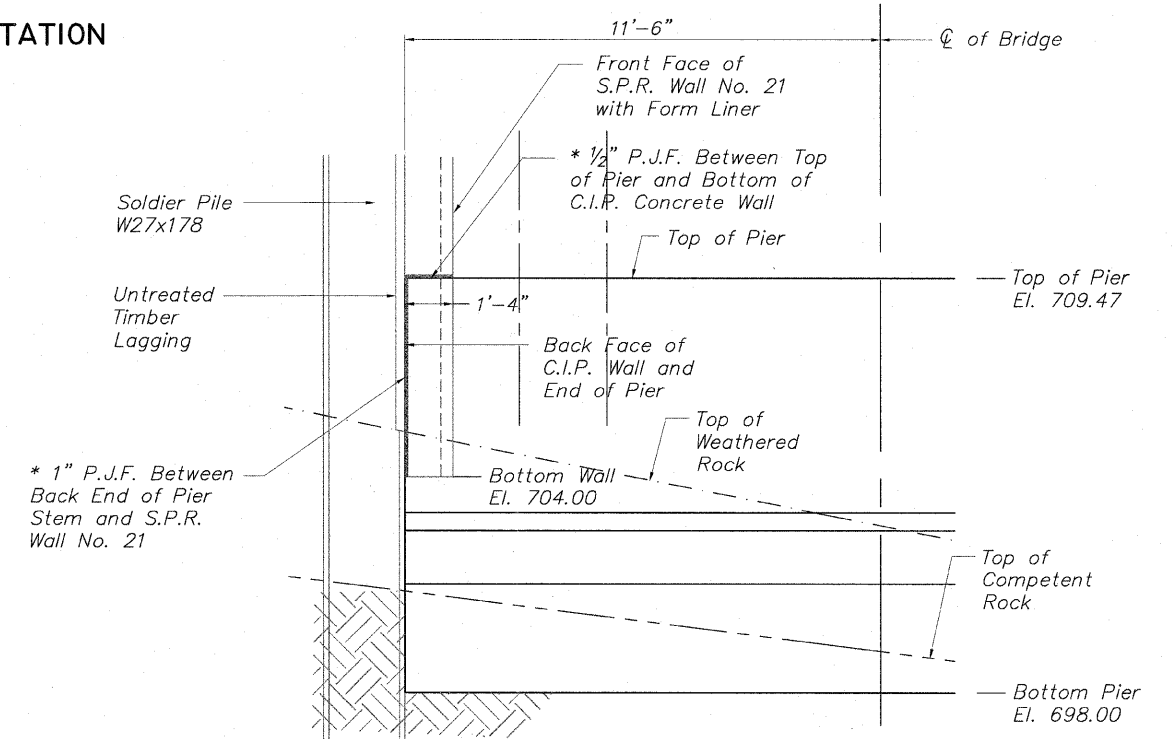


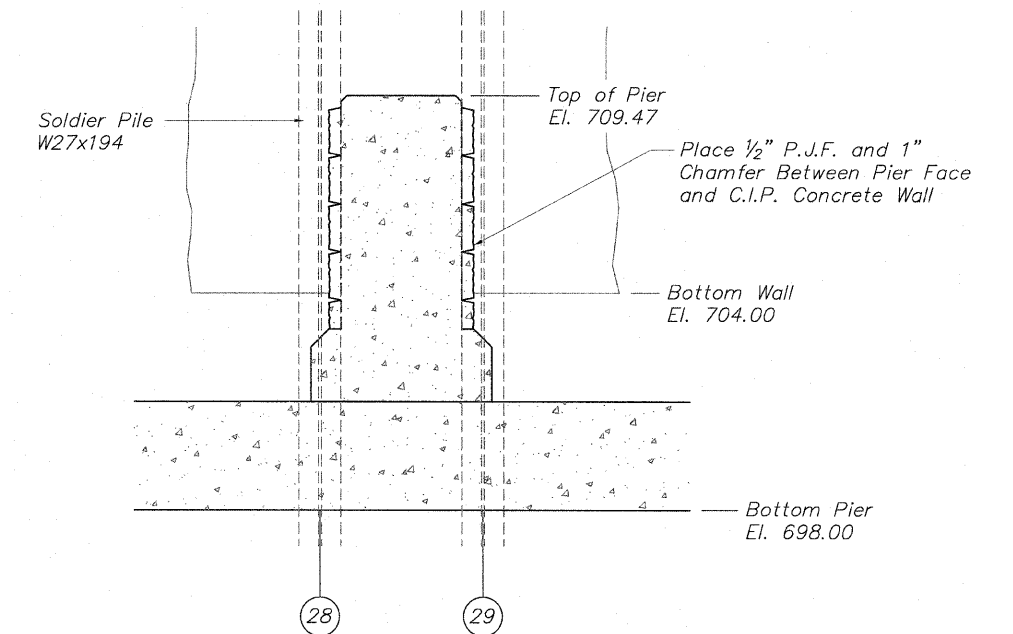
BASE SLAB PLAN

Note: The Contractor shall coordinate the location of the Pier with S.P. Wall 21. Refer to S.P. Wall 21 Plans.



ELEVATION (Showing S.P.R. Wall No. 21)

* Cost Included with Concrete Structures



SECTION (Showing S.P.R. Wall No. 21)

**PIER DETAILS
CABLE-STAYED PEDESTRIAN BRIDGE
PEDESTRIAN RIVERWALK
ALONG THE ROCK RIVER
WINNEBAGO COUNTY
STATION 209+48.25
STRUCTURE NO. 6350**

DESIGNED	CTB
CHECKED	AAG
DRAWN	JAW
PEER REVIEWED	

McClure
Engineering Associates, Inc.
7282 Argus Drive
(815) 398-2332
Rockford, Illinois 61107-5637
Fax (815) 398-2496
Design Firm License: #104-000816
Copyright 2010 by McClure Engineering Associates, Inc.

SHEET NO. 10
II SHEETS

F.A. RTE.	SECTION	COUNTY	TOTAL SHEETS	SHEET NO.
	06-00543-00-BT	WINNEBAGO	148	65
FED. ROAD DIST. NO.		ILLINOIS	CONTRACT NO. 85521	
		FED. AID PROJECT		

H:\05-08 RIVERWALK MUSEUM\DESIGN\DRAWINGS\STRUCTURAL\CFBE\05-08 BRIDGES-6350 SUB.DWG. STR 6350 PIER (10). 10/26/2010 2:54:59 PM. JH