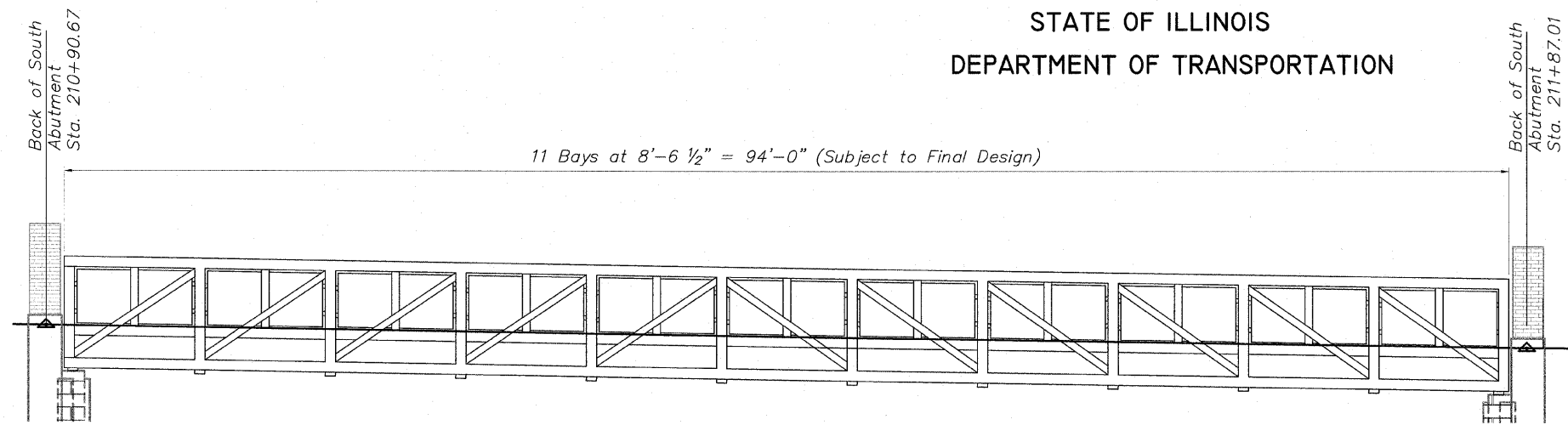
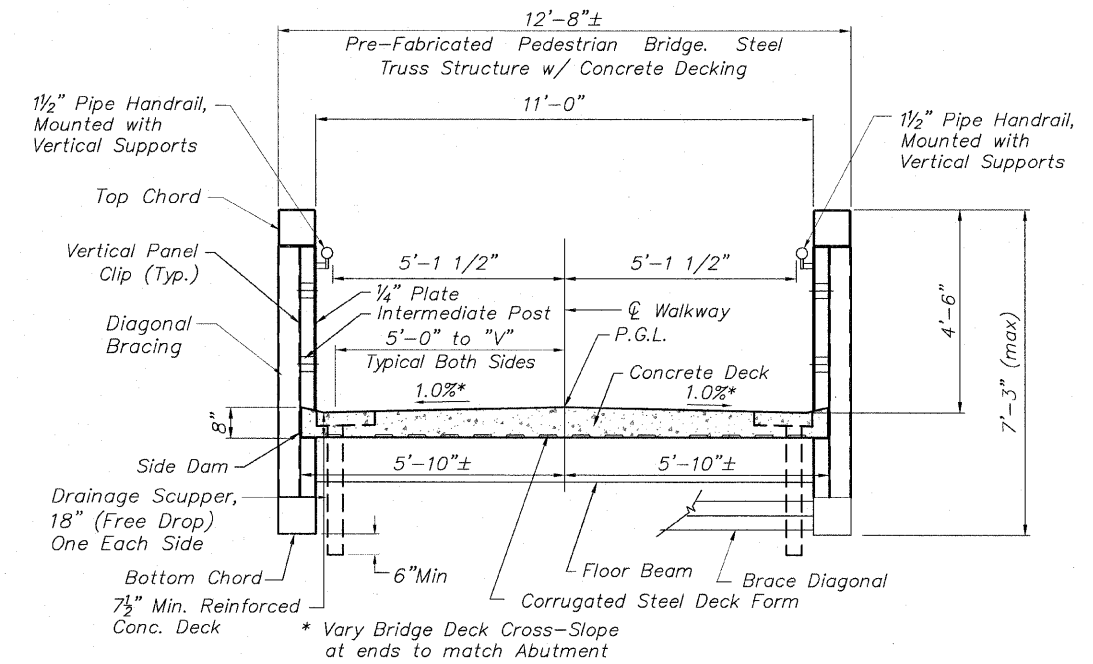


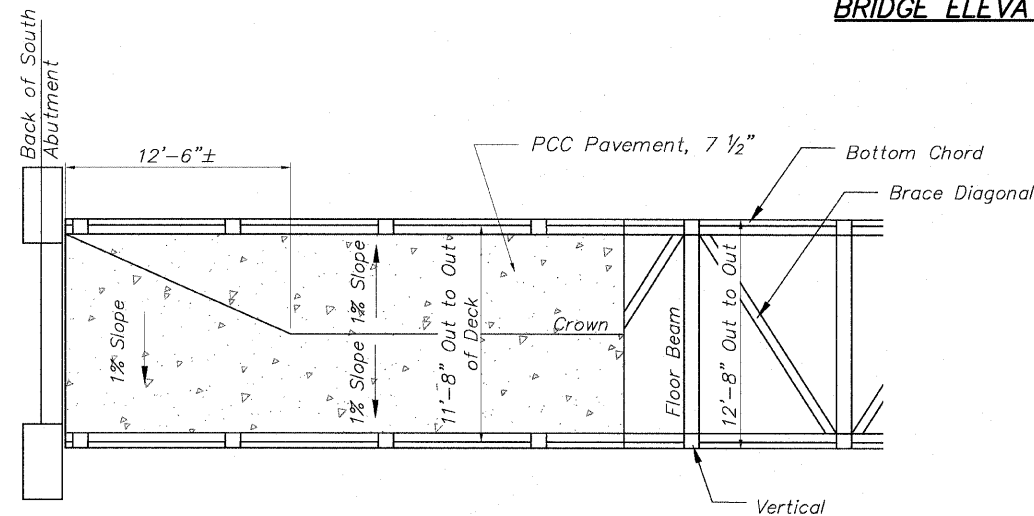
STATE OF ILLINOIS
DEPARTMENT OF TRANSPORTATION



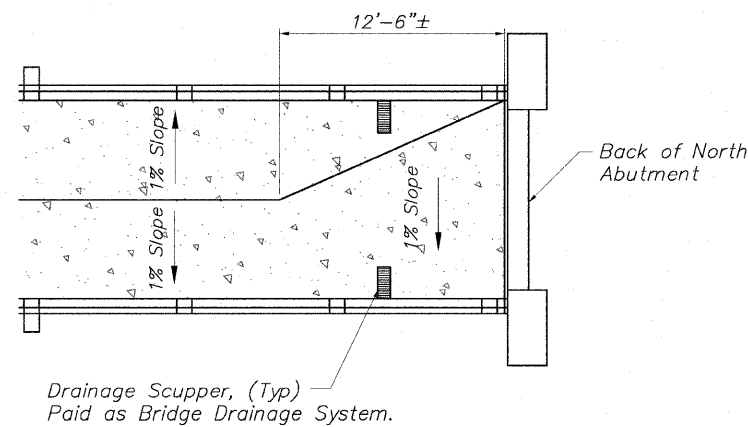
BRIDGE ELEVATION



TYPICAL DECK SECTION

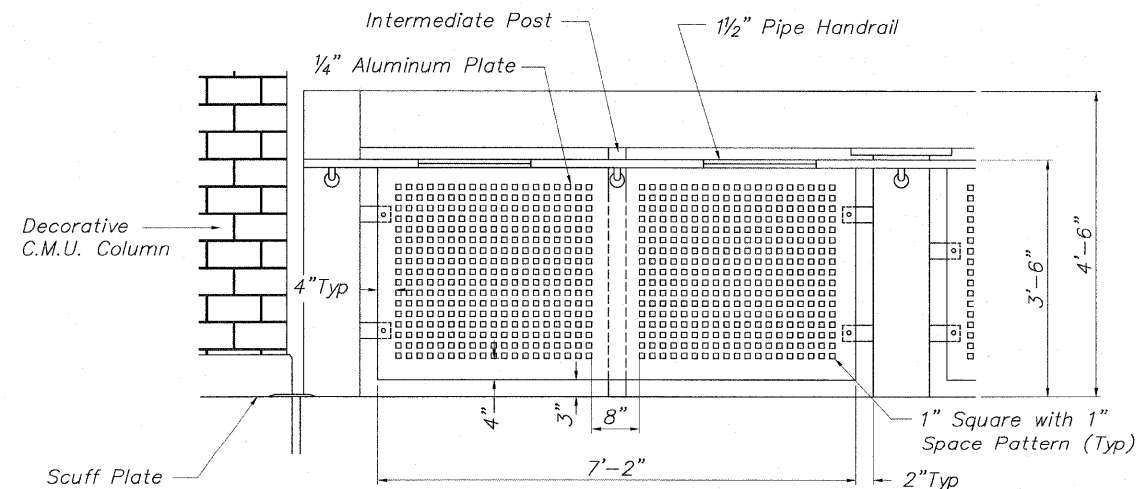


BRIDGE PLAN

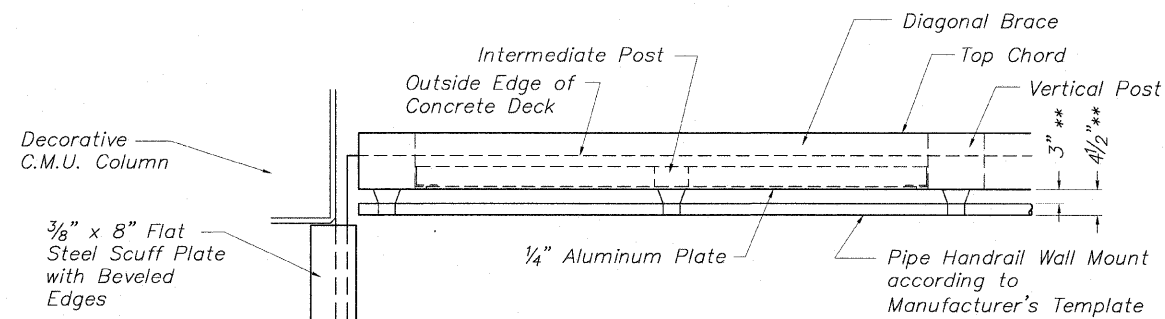


Drainage Scupper, (Typ)
Paid as Bridge Drainage System.

BORING NUMBER	STATION	OFFSET	GROUND ELEV.	EST. COMP. ROCK ELEV.
B-1	205+62	20.1' LT	728	N/A
B-2	206+69	44.3' LT	728	N/A
B-3	207+60	36.1' LT	728	701.5
B-4	208+20	43.1' RT	695	693.5
B-5	209+64	59.9' RT	693	691.0
B-6	210+83	40.15' RT	696	693.0
B-7	212+10	37.74' RT	696	694.5
B-8	213+71	34.17' RT	698	691.5
B-9	211+98	31.8' LT	716	706.0
B-10	211+67	77.9' LT	720	710.0
B-11	212+57	61.6' LT	721	705.0
B-12	211+12	200.5' LT	736	714.0
B-13	212+13	155.2' LT	730	709.0
B-14	209+57	39.5' LT	730	705.0
B-15	208+63	54.3' LT	730	700.0



TYPICAL SIDE PANEL ELEVATION



TYPICAL SIDE PANEL PLAN

**SUPERSTRUCTURE DETAILS
PEDESTRIAN TRUSS BRIDGE
PEDESTRIAN RIVERWALK
ALONG THE ROCK RIVER
WINNEBAGO COUNTY
SECTION NO. 06-00543-00-BT
STATION 210+90.67 TO
STATION 211+87.01
STRUCTURE NO. 6351**

DESIGNED	CTB
CHECKED	AAG
DRAWN	JAW
PEER REVIEWED	

McClure
Engineering Associates, Inc.
7282 Argue Drive
(815) 398-2332
Rockford, Illinois 61107-5837
Fax (815) 398-2496
Design Firm License: Illinois #184-000816
Copyright 2010, By McClure Engineering Associates, Inc.

SHEET NO. 3
8 SHEETS

F.A. RTE.	SECTION	COUNTY	TOTAL SHEETS	SHEET NO.
	06-00543-00-BT	WINNEBAGO	148	69
CONTRACT NO.			85521	
FED. ROAD DIST. NO.	ILLINOIS	FED. AID PROJECT		

H:\05-08 RIVERWALK MUSEUM\DESIGN\DRAWINGS\STRUCTURAL\CPRE\05-08 BRIDGES-6351.DWG, SUPERSTRUCT-6351 (3), 10/26/2010 2:59:43 PM, JH