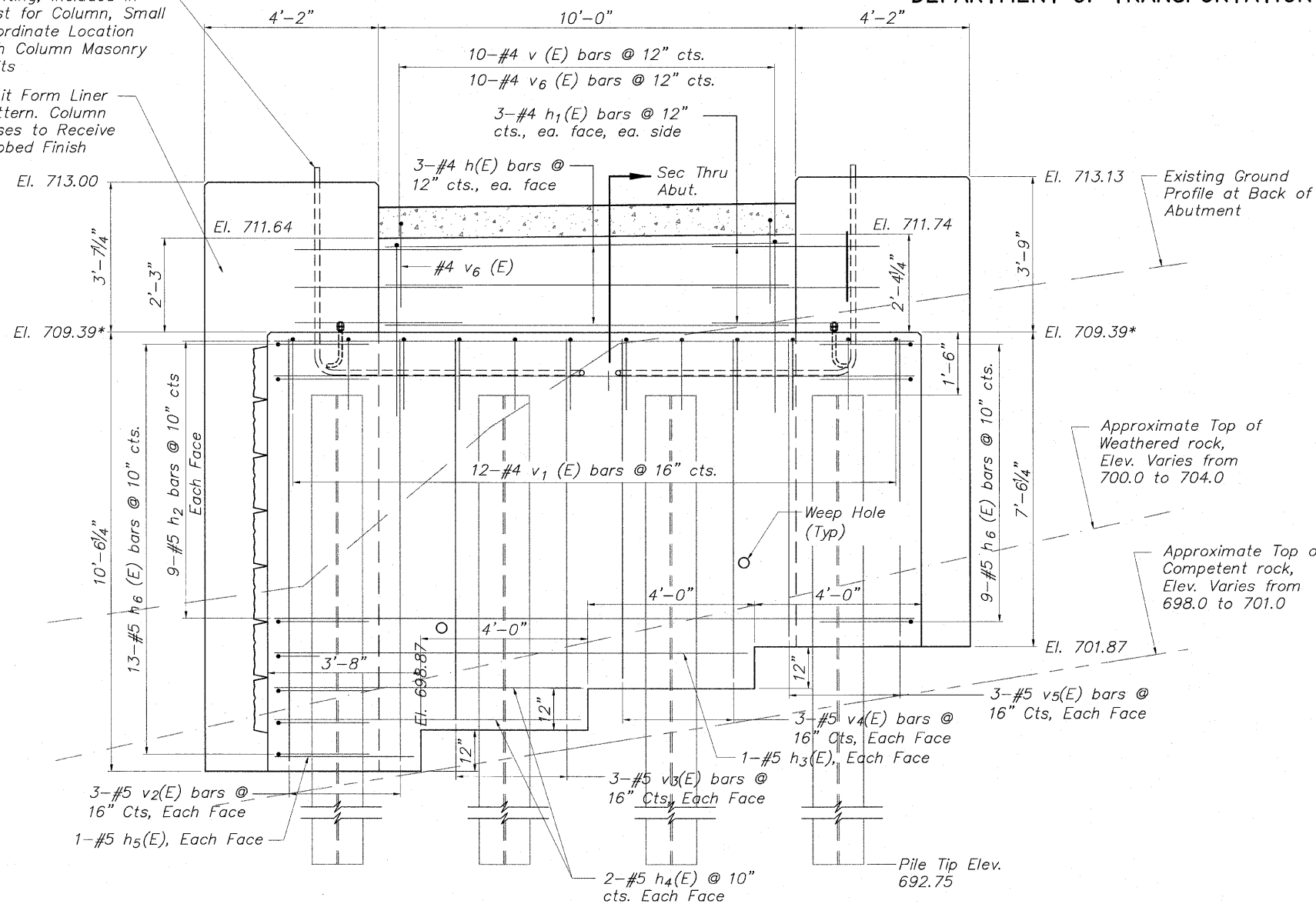
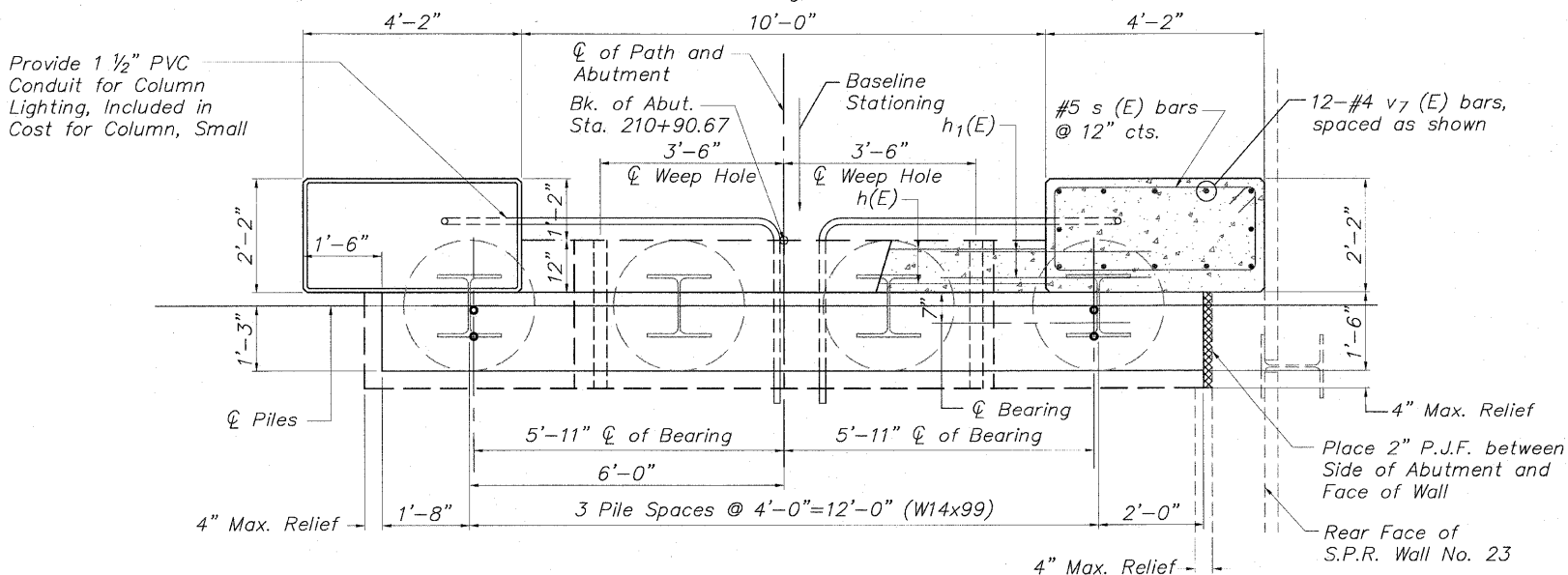


Provide 1 1/2" PVC Conduit for Column Lighting, Included in Cost for Column, Small Coordinate Location with Column Masonry Units

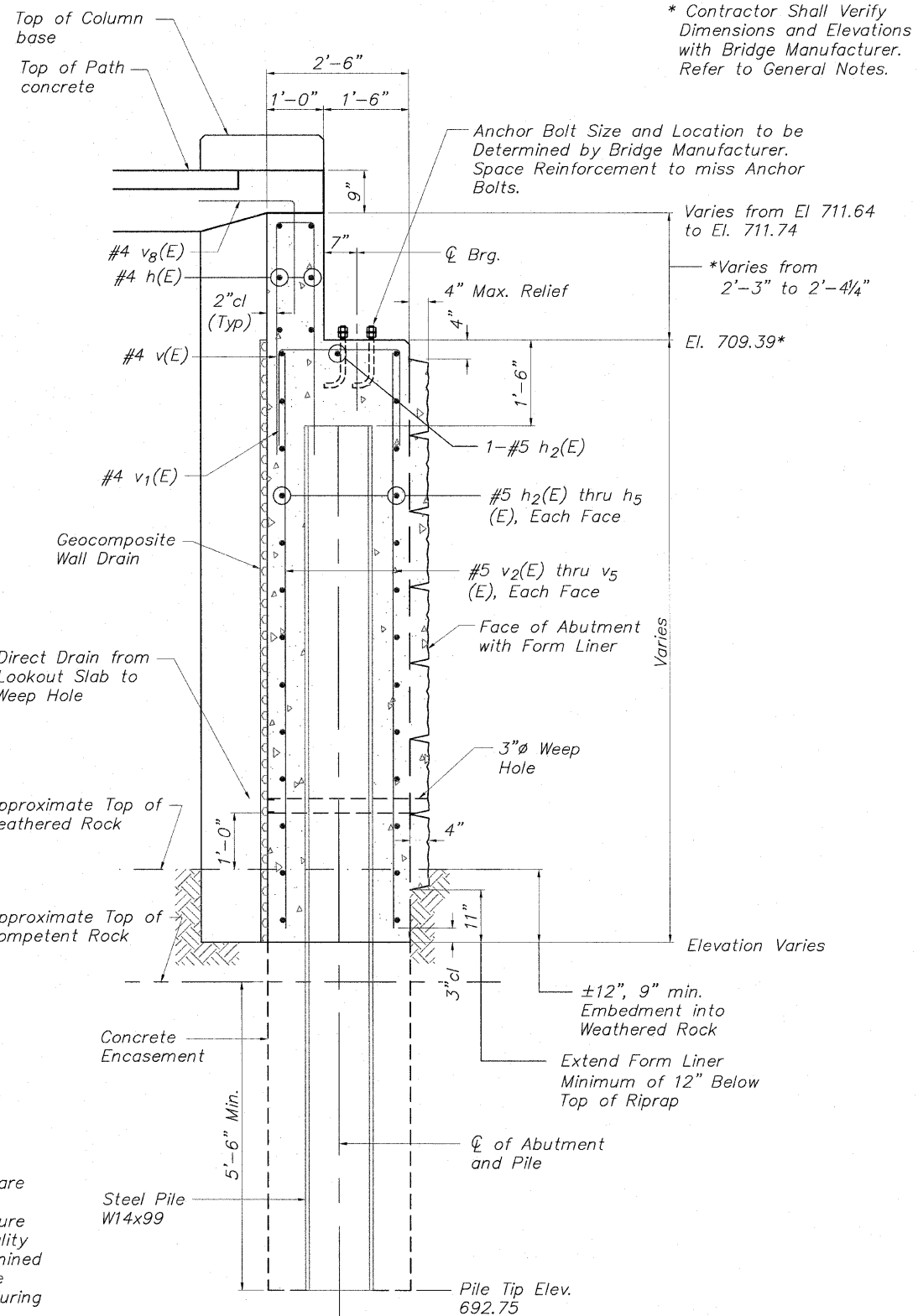
Omit Form Liner Pattern. Column Bases to Receive Rubbed Finish



ELEVATION
Looking South



PLAN



SEC THRU SOUTH ABUT

**SOUTH ABUTMENT DETAILS
PEDESTRIAN TRUSS BRIDGE
PEDESTRIAN RIVERWALK
ALONG THE ROCK RIVER
WINNEBAGO COUNTY
SECTION NO. 06-00543-00-BT
STATION 210+90.67 TO
STATION 211+87.01
STRUCTURE NO. 6351**

NOTE:
Abutment Foundations are Designed for a Net Allowable Bearing Pressure of 25 tsf on Rock. Quality of Rock shall be determined and field verified by the Geotechnical Engineer during Excavation



DESIGNED	CTB
CHECKED	AAG
DRAWN	JAW
PEER REVIEWED	

McClure
Engineering Associates, Inc.
7282 Argus Drive
(815) 398-2332
Rockford, Illinois 61107-5837
Fax (815) 398-2496
Design Firm License: Illinois#194-000819
Copyright 2010 By McClure Engineering Associates, Inc.

SHEET NO. 4
8 SHEETS

F.A. RTE.	SECTION	COUNTY	TOTAL SHEETS	SHEET NO.
	06-00543-00-BT	WINNEBAGO	148	70
FED. ROAD DIST. NO.		ILLINOIS	FED. AID PROJECT	
			CONTRACT NO. 85521	

* Contractor Shall Verify Dimensions and Elevations with Bridge Manufacturer. Refer to General Notes.

Varies from El 711.64 to El. 711.74

*Varies from 2'-3" to 2'-4 1/4"

El. 709.39*

Elevation Varies

±12", 9" min. Embedment into Weathered Rock

Extend Form Liner Minimum of 12" Below Top of Riprap

±12", 9" min. Embedment into Weathered Rock

Extend Form Liner Minimum of 12" Below Top of Riprap

±12", 9" min. Embedment into Weathered Rock

Extend Form Liner Minimum of 12" Below Top of Riprap

±12", 9" min. Embedment into Weathered Rock

Extend Form Liner Minimum of 12" Below Top of Riprap

±12", 9" min. Embedment into Weathered Rock

Extend Form Liner Minimum of 12" Below Top of Riprap

±12", 9" min. Embedment into Weathered Rock

Extend Form Liner Minimum of 12" Below Top of Riprap

H:\05-008 RIVERWALK MUSEUM\DESIGN\DRAWINGS\STRUCTURAL\GPBE\05-008 BRIDGES-6351.dwg, S:ABUT 6351 (4), 10/26/2010 3:00:54 PM, E1, JMW