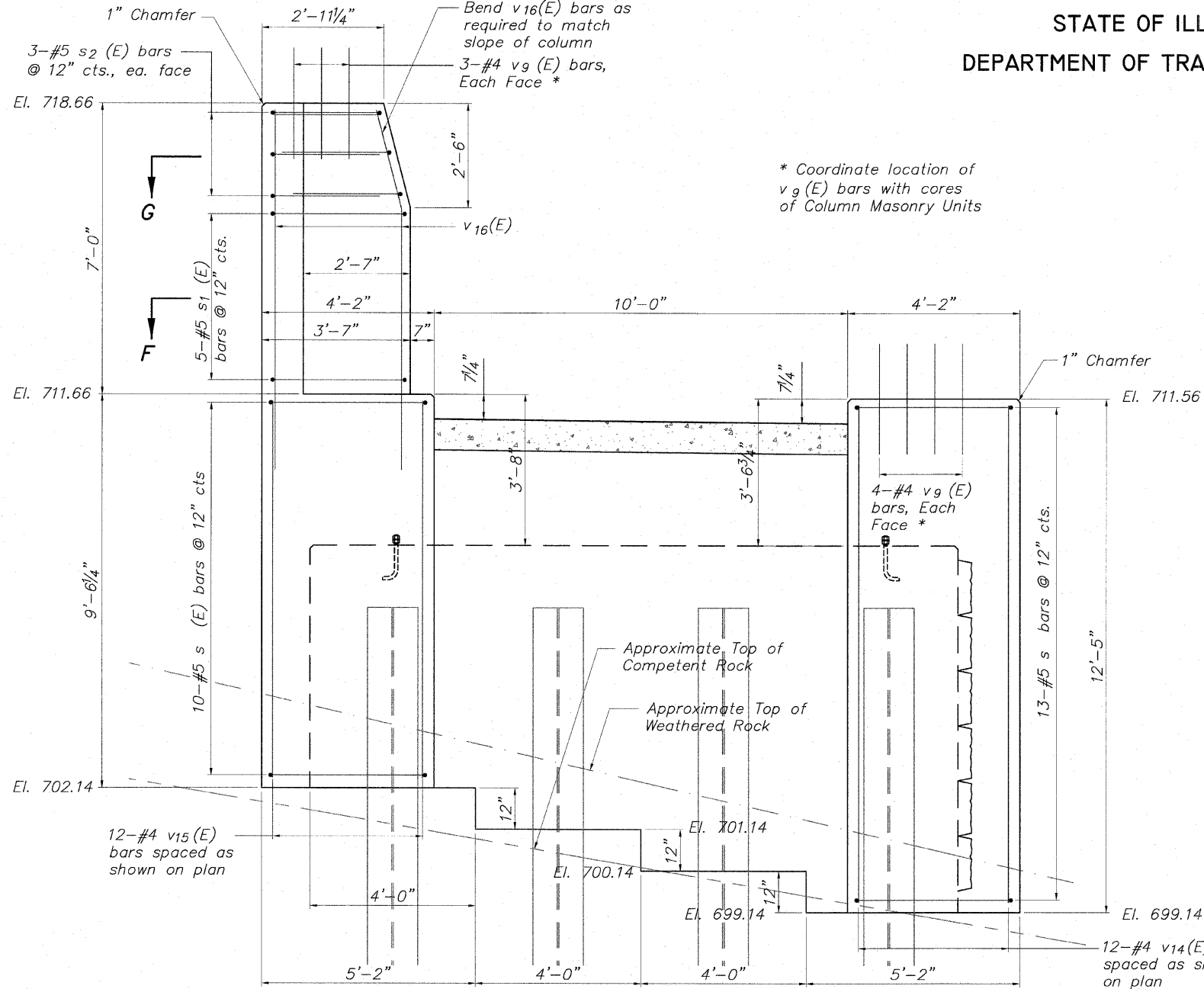
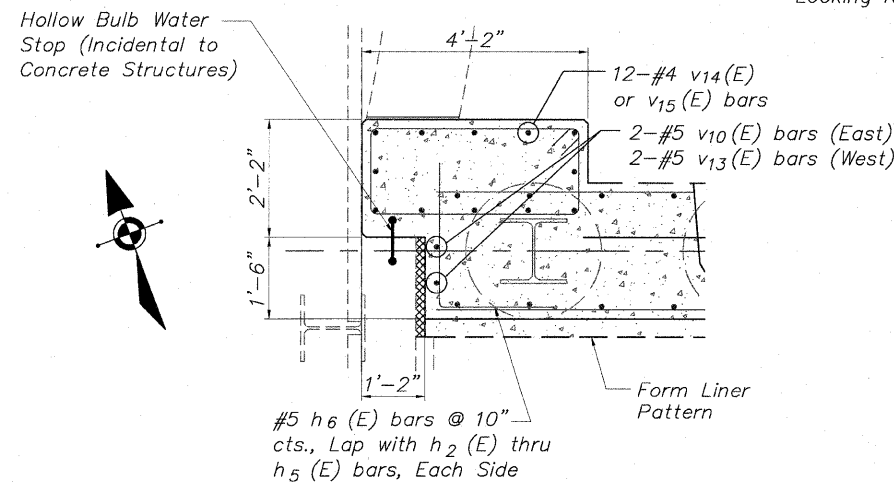


STATE OF ILLINOIS
DEPARTMENT OF TRANSPORTATION

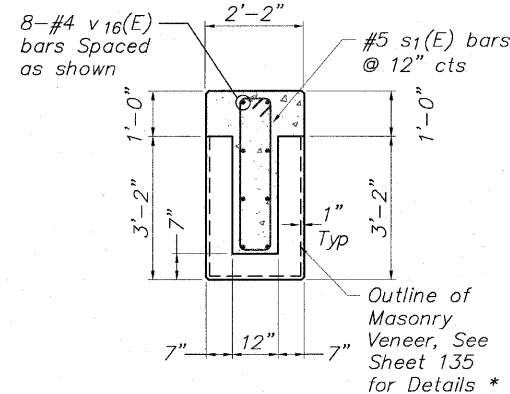
BILL OF MATERIAL
North Abutment For Struct. No. 101-6351



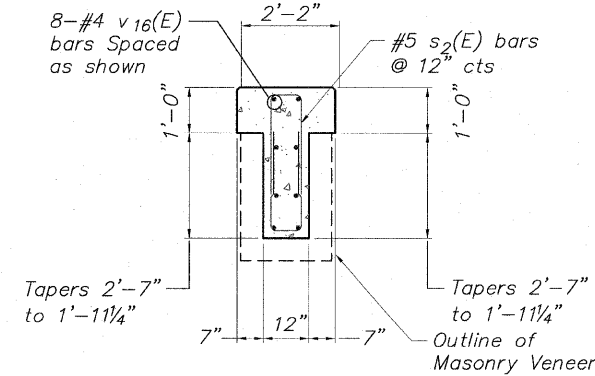
ELEVATION (Showing Column Reinforcement)
Looking North



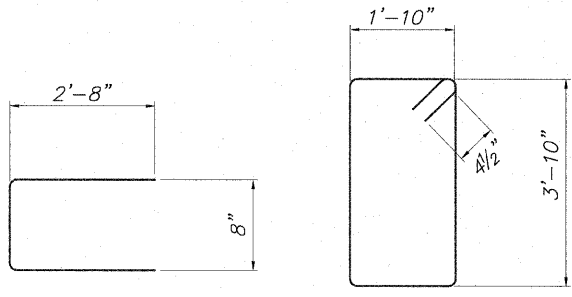
TYPICAL SECTION AT COLUMN



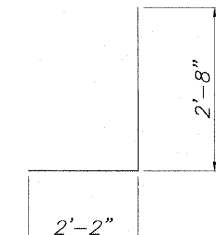
SECTION F-F
Not to Scale



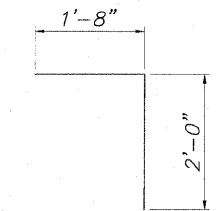
SECTION G-G
Not to Scale



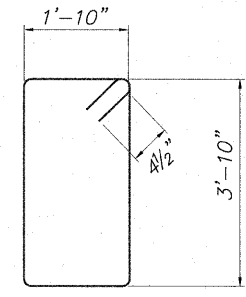
BAR s₂ (E)



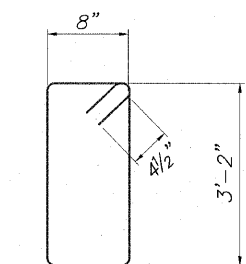
BAR h₆ (E)



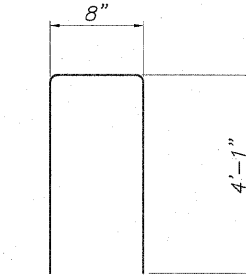
BAR v₆ (E)



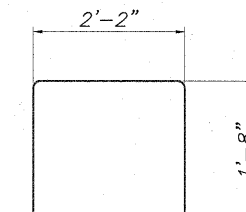
BAR s (E)



BAR s₁ (E)



BAR v (E)



BAR v₁ (E)

Bar	No.	Size	Length	Shape
h (E)	6	#4	9'-8"	—
h ₁ (E)	12	#4	4'-0"	—
h ₂ (E)	15	#5	15'-4"	—
h ₃ (E)	2	#5	11'-4"	—
h ₄ (E)	4	#5	7'-4"	—
h ₅ (E)	2	#5	3'-4"	—
h ₆ (E)	18	#5	4'-10"	—
s (E)	23	#5	11'-7"	□
s ₁ (E)	5	#5	8'-5"	□
s ₂ (E)	6	#5	6'-0"	□
v (E)	10	#4	8'-10"	—
v ₁ (E)	12	#4	5'-6"	—
v ₆ (E)	10	#4	3'-8"	—
v ₉ (E)	14	#4	2'-8"	—
v ₁₀ (E)	8	#5	8'-4"	—
v ₁₁ (E)	6	#5	7'-4"	—
v ₁₂ (E)	6	#5	6'-4"	—
v ₁₃ (E)	8	#5	5'-4"	—
v ₁₄ (E)	12	#4	12'-0"	—
v ₁₅ (E)	12	#4	9'-1"	—
v ₁₆ (E)	8	#4	8'-8"	—

Concrete Structures	Cu. Yd.	19.7
Reinforcement Bars (Epoxy Coated)	Pound	1,390
Structure Excavation	Cu. Yd.	9.0
Furnishing Soldier Pile W Section W14x99	Foot	52
Setting Piles in Rock	Each	4
Geocomposite Wall Drain	Sq. Yd.	21.1
Form Liner Textured Surface	Sq. Ft.	108
Staining Concrete Structures	Sq. Yd.	0
Rock Excavation for Structures	Cu. Yd.	10.4
Concrete Sealer	Sq. Ft.	72
Rubbed Finish	Sq. Ft.	48

MINIMUM BAR LAP
No. 4 bars 1'-8"
No. 5 bars 2'-2"

**NORTH ABUTMENT DETAILS
PEDESTRIAN TRUSS BRIDGE
PEDESTRIAN RIVERWALK
ALONG THE ROCK RIVER
WINNEBAGO COUNTY
SECTION NO. 06-00543-00-BT
STATION 210+90.67 TO
STATION 211+87.01
STRUCTURE NO. 6351**

DESIGNED	CTB
CHECKED	AAG
DRAWN	JAW
PEER REVIEWED	

McClure
Engineering Associates, Inc.
7282 Argus Drive
(815) 398-2332
Rockford, Illinois 61107-5837
Fax (815) 398-2496
Design Firm License: Illinois #184-000816
Copyright 2010, by McClure Engineering Associates, Inc.

SHEET NO. 7
8 SHEETS

F.A. RTE.	SECTION	COUNTY	TOTAL SHEETS	SHEET NO.
	06-00543-00-BT	WINNEBAGO	148	73
FED. ROAD DIST. NO.		ILLINOIS	FED. AID PROJECT	
			CONTRACT NO. 85521	