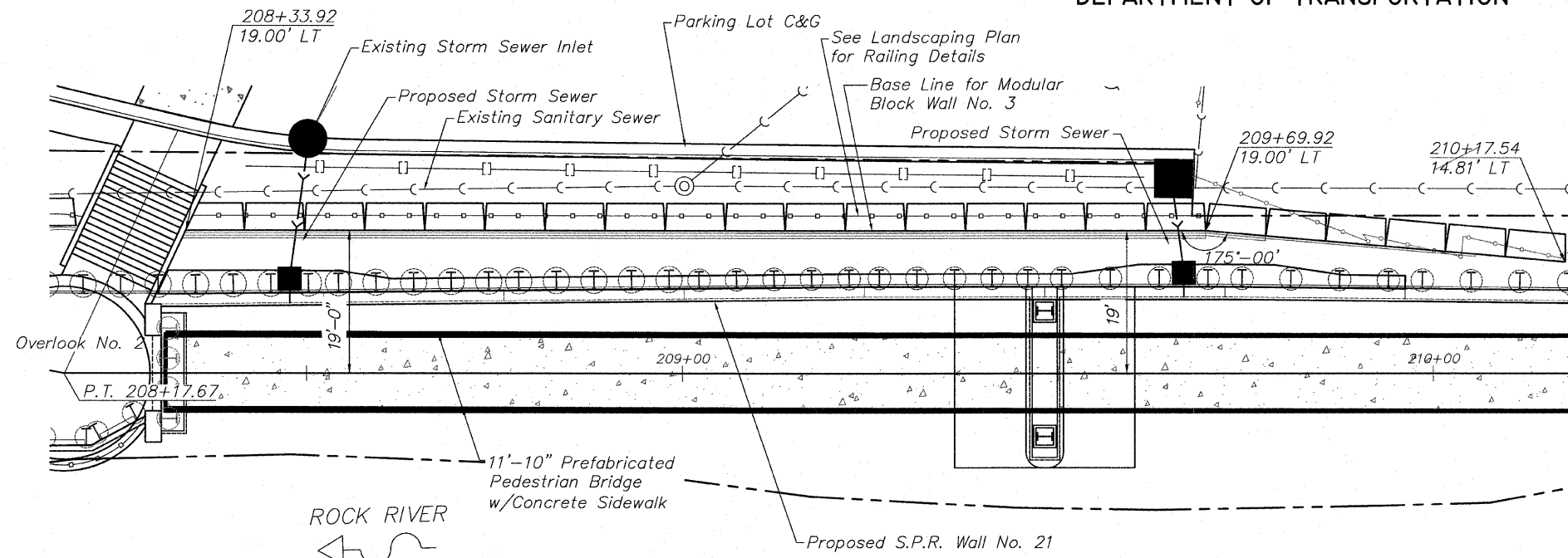


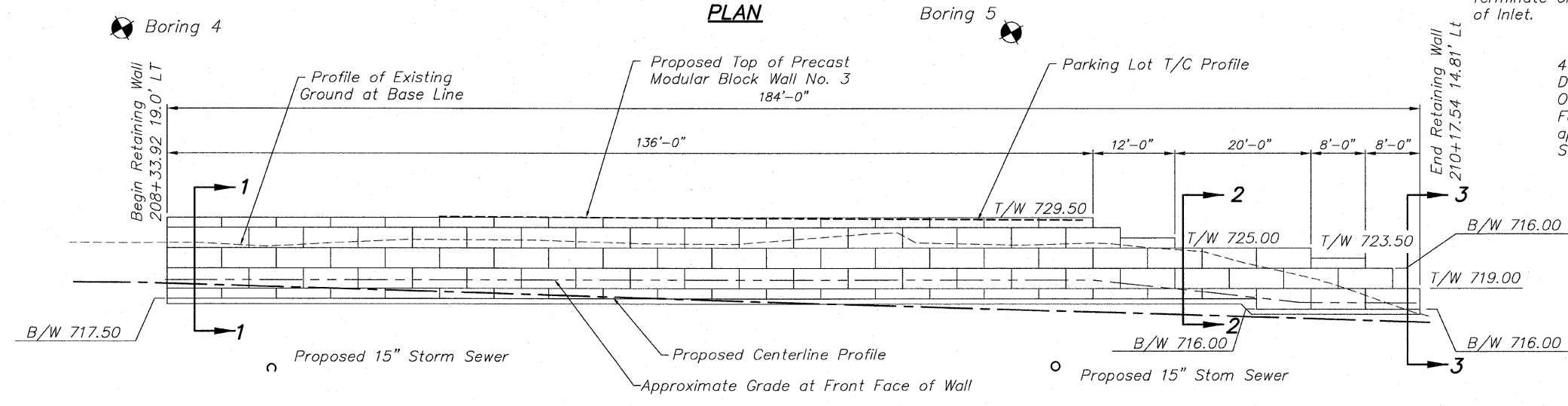
STATE OF ILLINOIS  
DEPARTMENT OF TRANSPORTATION

SCALES:  
PLAN: 1" = 10'  
PROFILE: 1" = 10' HORIZONTAL  
1" = 10' VERTICAL

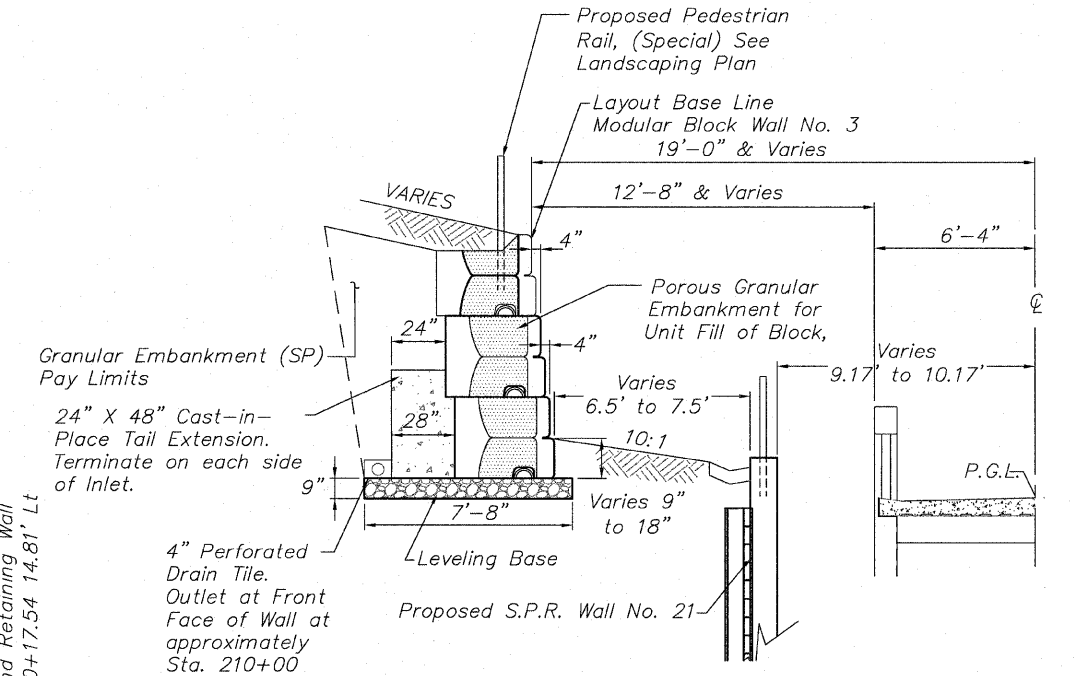
0 10 20  
Scale in Feet



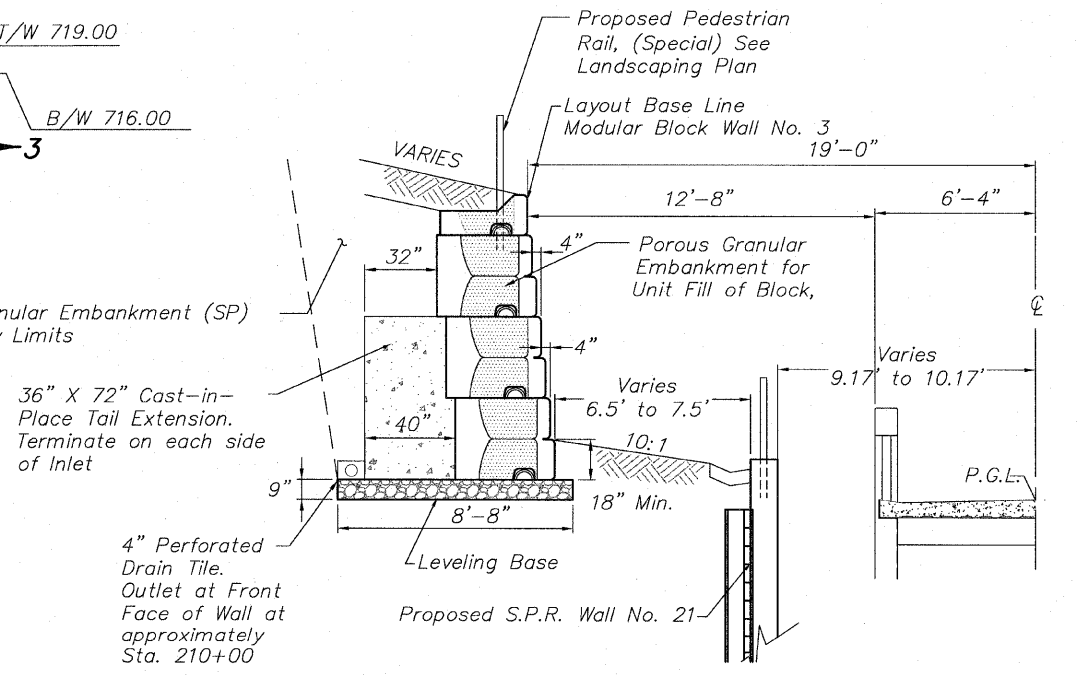
PLAN



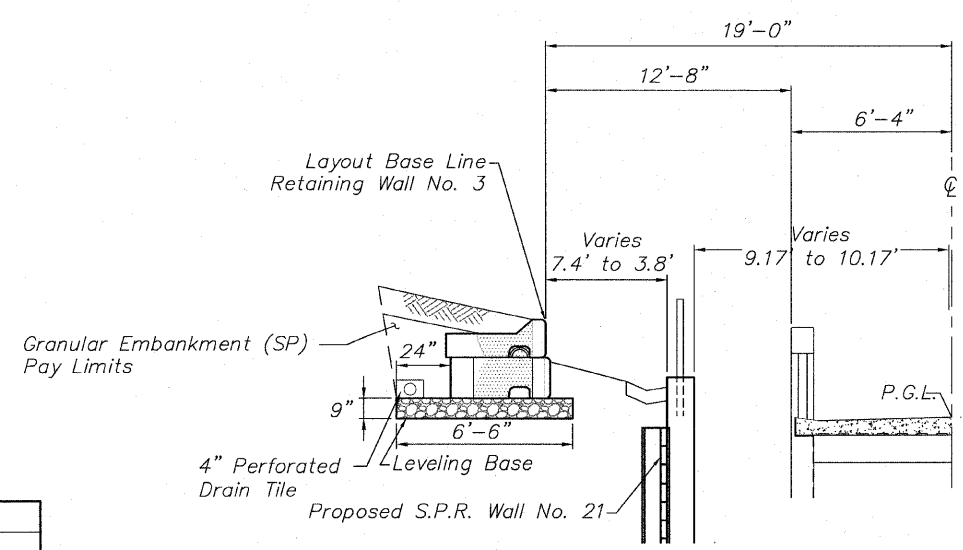
PROFILE



DETAIL 2  
Sta. 209+69.92 to Sta. 210+09.92



DETAIL 1  
Sta. 208+33.92 to Sta. 209+69.92



DETAIL 3  
Sta. 210+69.92 to Sta. 210+17.54

DESIGNED	CTB
CHECKED	AAG
DRAWN	JAW
CHECKED	JWH

**McClure**  
Engineering Associates, Inc.  
7282 Argus Drive  
(815) 398-2332  
Rockford, Illinois 61107-5837  
Fax (815) 398-2496  
Design Firm License: #In0184-000816  
Copyright © 2010 By McClure Engineering Associates, Inc.

SHEET NO. 4  
5 SHEETS

F.A. RTE.	SECTION	COUNTY	TOTAL SHEETS	SHEET NO.
	06-00543-00-BT	WINNEBAGO	148	78
CONTRACT NO.				85521
FED. ROAD DIST. NO.	ILLINOIS	FED. AID PROJECT		

H:\05-08 RIVERWALK MUSEUM\DESIGN\DRAWINGS\STRUCTURAL\GPBE\05-08 MODULAR R WALLS.DWG, MRW3, 10/26/2010 3:45:28 PM, 11, JWH