

BENCHMARK		
NO.	DESCRIPTION	ELEVATION
	North Bonnet Bolt on Fire Hydrant South Of Museum Entrance on the East side of N. Main Street	736.60

Notes: Wall Offsets are Measured from the ϕ of the Pedestrian Walkway to the Back Face of the Cast-in-Place Portion of the Soldier Pile Wall unless shown otherwise.

STATE OF ILLINOIS
DEPARTMENT OF TRANSPORTATION

TOTAL BILL OF MATERIALS
SP WALL No. 20 AND LOOKOUT No. 2 SLAB

HIGHWAY CLASSIFICATION

Rockford Pedestrian Riverwalk
Functional Class: Pedestrian

DESIGN SPECIFICATIONS

2002 AASHTO Standard
Specifications - 17th Edition

DESIGN STRESSES

FIELD UNITS

$f'_c = 3,500$ psi (Cast-in-place Concrete)
 $f_y = 60,000$ psi (Reinforcement)
 $f_y = 50,000$ psi (Soldier Pile Steel)

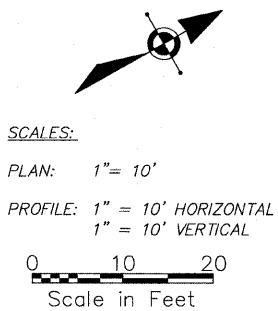
PRECAST UNITS

$f'_c = 5,000$ psi (Precast Concrete)
 $f_y = 60,000$ psi (Reinforcement)

ITEM	UNITS	TOTAL
Structure Excavation	Cu. Yd.	10
Concrete Structures	Cu. Yd.	31.1
Protective Coat	Sq. Yd.	50
Stud Shear Connectors	Each	210
Precast Concrete Lagging	Sq. Ft.	340
Furnishing Soldier Piles W Section	Foot	196
Drilling and Setting Soldier Piles in Rock	Cu. Ft.	435
Drilling and Setting Soldier Piles in Soil	Cu. Ft.	396
Reinforcement Bars (Epoxy Coated)	Pound	4,303
Geocomposite Wall Drain	Sq. Yd.	17.5
Rubbed Finish	Sq. Ft.	86
Form Liner Textured Surface	Sq. Ft.	410
Rock Excavation for Structures, Special	Cu. Yd.	1.2
Staining Concrete Structures	Sq. Yd.	0

EXISTING STRUCTURE: None

S.P.R.W. = Soldier Pile Retaining Wall
C.I.P. = Cast-in-Place



CENTERLINE CURVE DATA

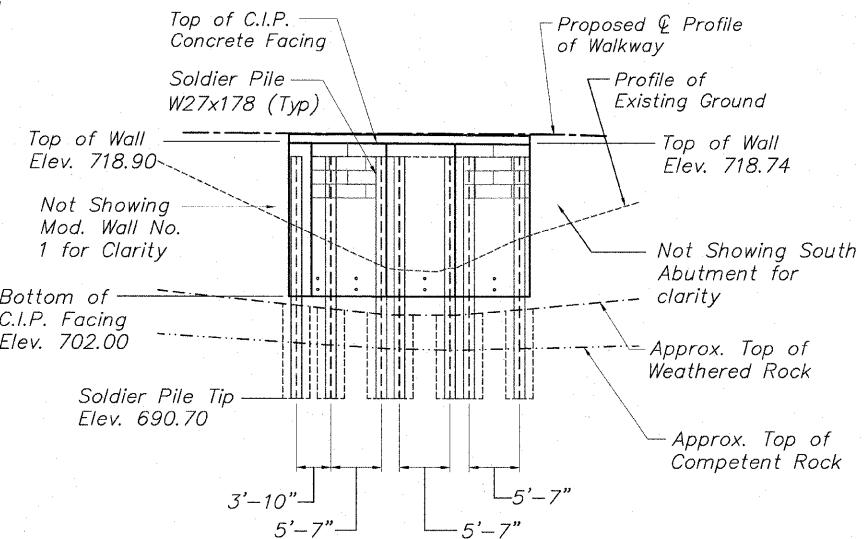
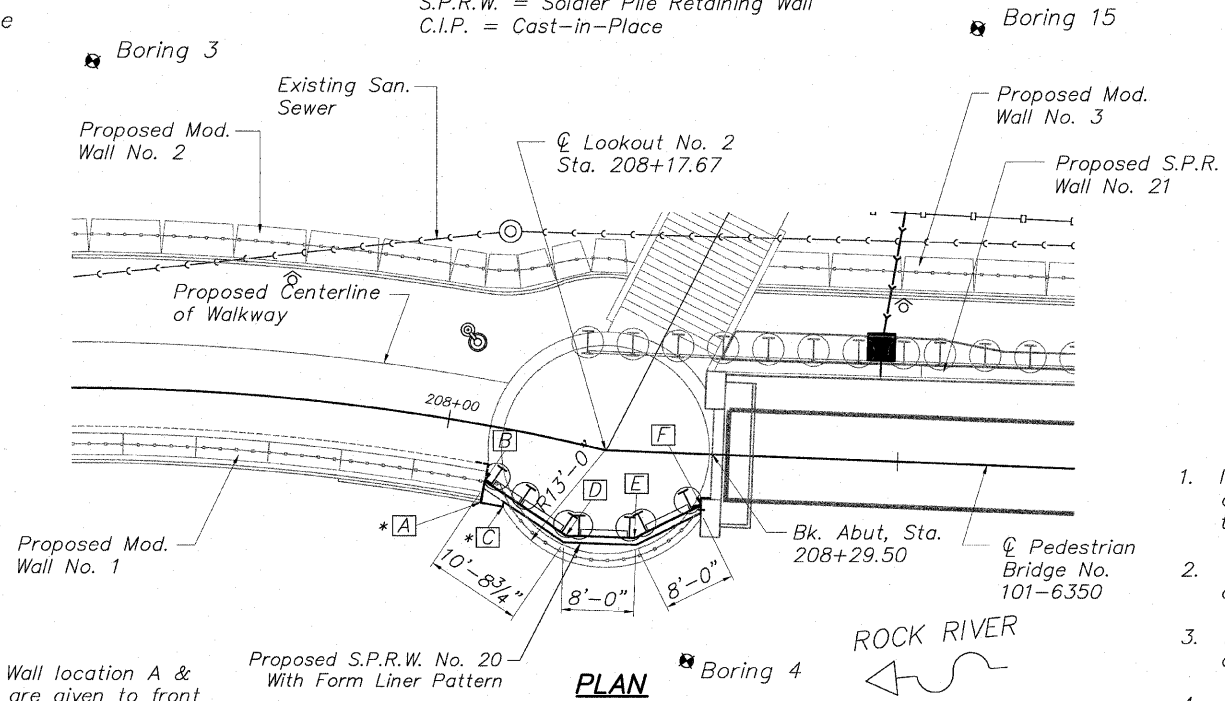
$\Delta = 22^\circ 59' 01''$
 $D = 22^\circ 01' 37''$
RADIUS = 260.12'
ARC LENGTH = 104.34'
TANGENT = 52.88'
EXTERNAL = 5.32'
PCC = 207+13.33
PT = 208+17.67

* Wall location A & C are given to front face of wall. No form liner required this area.

DRAINAGE SYSTEM NOTE:

3" ϕ drains to be placed as shown or as directed by the Engineer. All drains to be covered by a 18"x18" Geotechnical Filter Fabric and connected with 3" ϕ Drain Pipe and directed to vertical stand pipe in back of Bridge Abutment adjacent to Weep Hole. The cost to supply and install all drainage components shall be included with the cost of Concrete Structures.

* Wall location A & C are given to front face of wall. No form liner required this area.



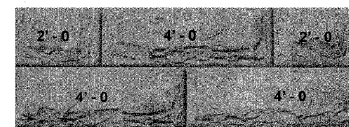
ELEVATION

WALL INFORMATION CHART

Reference Point	Station to Back Face of C.I.P. Wall	Offset to Back Face of C.I.P. Wall
A	*208+05.12	*8.56' Rt.
B	208+05.12	6.11' Rt.
C	*208+07.71	*8.54' Rt.
D	208+15.47	10.23' Rt.
E	208+21.27	9.62' Rt.
F	208+28.50	5.72' Rt.

MINIMUM BAR LAP

No. 4 bars 1'-8"
No. 5 bars 2'-2"
No. 6 bars 2'-7"



FORM LINER PATTERN

Milestone, Inc.
Pattern No. MS-1011
Weathered Limestone or Equal
(See Special Provisions)

GENERAL NOTES

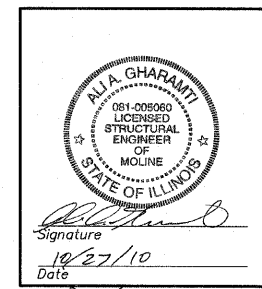
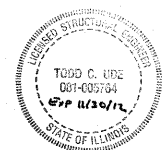
- It shall be the responsibility of the Contractor to verify all dimensions and conditions existing in the field prior to construction and ordering materials.
- Reinforcement bars designated (E) shall be epoxy coated.
- Reinforcement bars shall conform to the requirements of ASTM A706 Gr 60. See Special Provisions.
- Reinforcing bars shall be lapped a minimum as shown on plans where splices occur. Radius bars shall be factory bent and delivered to the site with appropriate radius. Field bending will only be allowed to achieve form clearances.
- Stud shear connectors shall be 3/4" diameter x 4" granular or flux filled headed studs automatically end welded to the front flange in the field.
- Protective coat shall be applied to all exposed surfaces of the wall and shall extend 1'-0" minimum below finished grade.
- All construction joints shall be bonded.
- The cost of cutting off any piling in excess of that needed shall be included in the cost of "Drilling and Setting Soldier Piles".
- Drilling and Setting of Soldier Piles will require drilling through layers of sand and gravel. Refer to boring logs. The use of temporary drill casings or drilling slurry may be required to keep holes open prior to placement of concrete at no additional cost to the contract. Refer to Special Provisions for Drilling and Setting Soldier Piles.
- The approximate embedment depth for the soldier pile tip is as provided on the plans and considers a penetration into competent rock of 5.5 feet (minimum) based on the soil boring information and uniaxial compressive rock strength value of 4,000 PSI (minimum) as provided by Terracon Consultants, Inc. The actual top of rock elevation, which qualifies as competent rock meeting the minimum requirements of the design, shall be determined and field verified by the Geotechnical Engineer during the drilling operation at each soldier pile location. Final pile tip elevations shall be a minimum of 5.5 feet below actual top of competent rock elevations.
- All exposed edges shall have a 3/4" x 45° chamfer, except as shown otherwise. Chamfers on vertical edges shall be continued a minimum of one foot below finished ground level.
- Exposed surfaces of concrete shall be given a "rubbed finish" except where form liner is specified.
- Contractor shall be responsible for dewatering in accordance with the erosion control plan at no additional cost to the contract.
- Backfill behind wall shall be placed to the lines and grades as shown on the plans. The Contractor shall take care to ensure the use of suitable material and proper compaction of all fill areas. Compaction shall be performed with a loose thickness of no more than 8" and each lift shall be compacted to a density equal to or greater than 95% standard proctor maximum dry density (ASTM D-698) taking care not to over compact the soil directly behind the wall. Moisture shall be within -2 to +3 percent of optimum. No heavy equipment shall be allowed within 6 feet of the wall during backfilling and compaction. Compaction shall be by hand method, "walk behind", equipment in the areas within 6 feet of the face of the wall.
- Backfill of wall behind precast panels must be completed before placement of cast-in-place concrete face. Refer to Precast Panel Details Sheet for additional notes.
- Temporary Concrete will be removed in the future by "others". Install a bond breaker to allow removal without damaging the structural slab. Temporary Concrete will be paid as PCC Sidewalk, 6" and shall include payment for the bond breaker.

INDEX OF WALL No. 20 SHEETS

- General Plan and Elevation
- SP Wall No. 20 Details
- SP Wall No. 20 Details, Precast Panel Details
- SP Wall No. 20 Details
- Slab Details Lookout No. 2

Reviewed and Approved for
Structural Adequacy Only

Todd C. Ude
11/21/10



GENERAL PLAN & ELEVATION
SP WALL No. 20
PEDESTRIAN RIVERWALK
ALONG THE ROCK RIVER
WINNEBAGO COUNTY
SECTION NO. 06-00543-00-BT
STATION 208+05.12 TO
STATION 208+28.50

DESIGNED	CTB	20
CHECKED	AAG	EXAMINED
DRAWN	JAW	PASSED
CHECKED	JWH	ENGINEER OF BRIDGES AND STRUCTURES

McClure
Engineering Associates, Inc.
7282 Argus Drive
(815) 398-2332
Rockford, Illinois 61107-5837
Fax (815) 398-2496
Design Firm License: Illinois #184-000816
Copyright 2010 by McClure Engineering Associates, Inc.

SHEET NO. 1	F.A. RTE.	SECTION	COUNTY	TOTAL SHEETS	SHEET NO.
5 SHEETS		06-00543-00-BT	WINNEBAGO	148	80
CONTRACT NO.				85521	
FED. ROAD DIST. NO.		ILLINOIS	FED. AID PROJECT		

H:\08-008 RIVERWALK MUSEUM\DESIGN\DRAWINGS\STRUCTURAL\08-008 SP-WALL 20.dwg, GPBE WALL 20, 10/26/2010 6:01:51 PM, H. JWH