

STATE OF ILLINOIS
DEPARTMENT OF TRANSPORTATION

BILL OF MATERIAL
Cast-in-Place Concrete

Bar	No.	Size	Length	Shape
h (E)	20	#5	10'-7"	—
h ₁ (E)	20	#5	7'-7"	—
h ₂ (E)	20	#5	8'-0"	—
h ₃ (E)	18	#5	6'-9"	□
s (E)	28	#4	4'-1"	□
v (E)	36	#5	16'-5"	—
Structure Excavation		Cu. Yd.	10	
Concrete Structures		Cu. Yd.	15.0	
Reinforcement Bars (Epoxy Coated)		Pound	1,365	
Geocomposite Wall Drain		Sq. Yd.	17.5	
Form Liner Textured Surface		Sq. Ft.	410	
Rock Excavation for Struct.		Cu. Yd.	1.2	
Rubbed Finish		Sq. Ft.	60	
Staining Concrete Structures		Sq. Yd.	0	



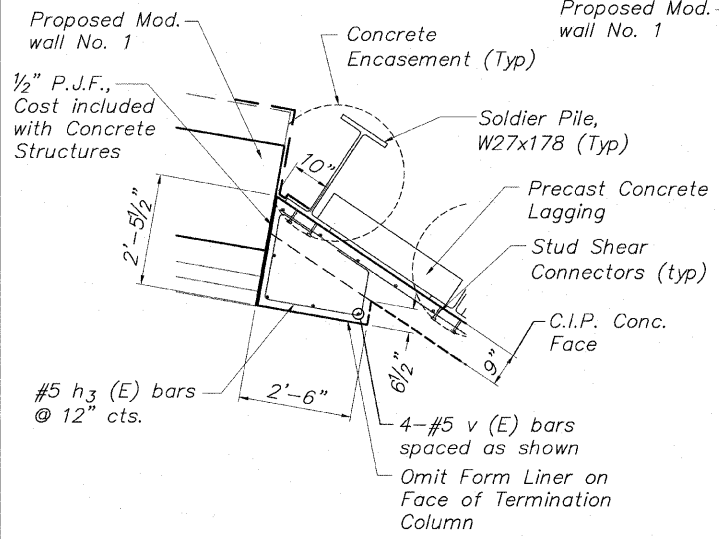
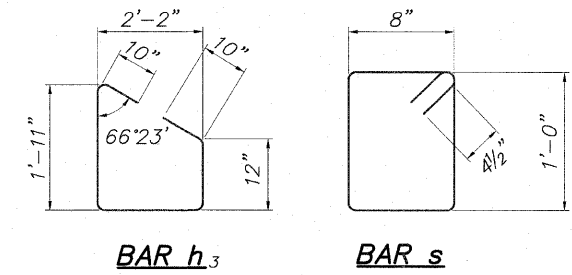
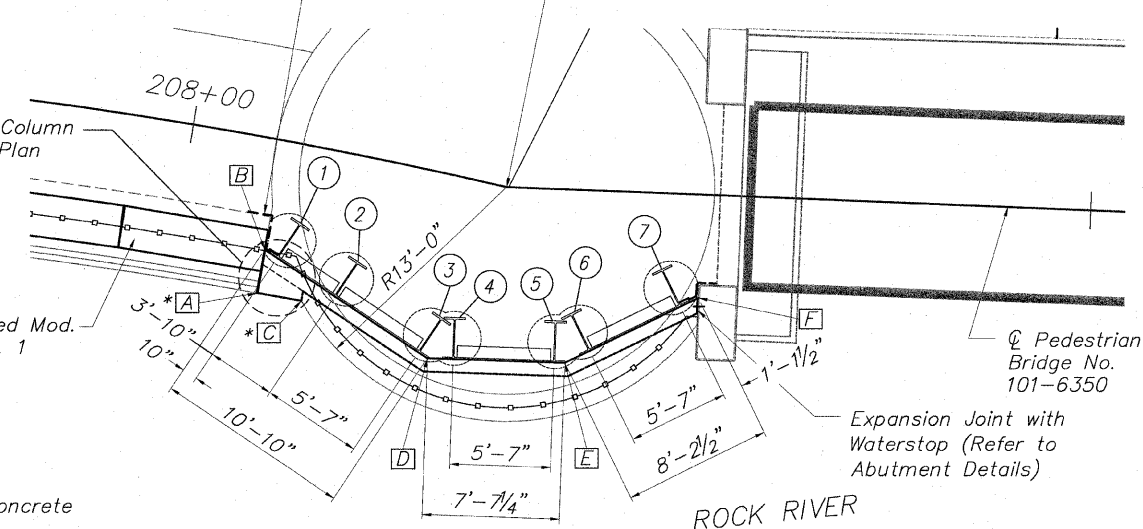
SCALES:
PLAN: 1" = 5'
PROFILE: 1" = 5' HORIZONTAL
1" = 5' VERTICAL

Scale in Feet

* Wall location A & C are given to front face of wall. No form liner required this area.

Waterproofing Membrane (typical both sides), cost included with Concrete Structures. Refer to Overall Plan General Notes, Sheet 2

Lookout No. 2
Sta. 208+17.67

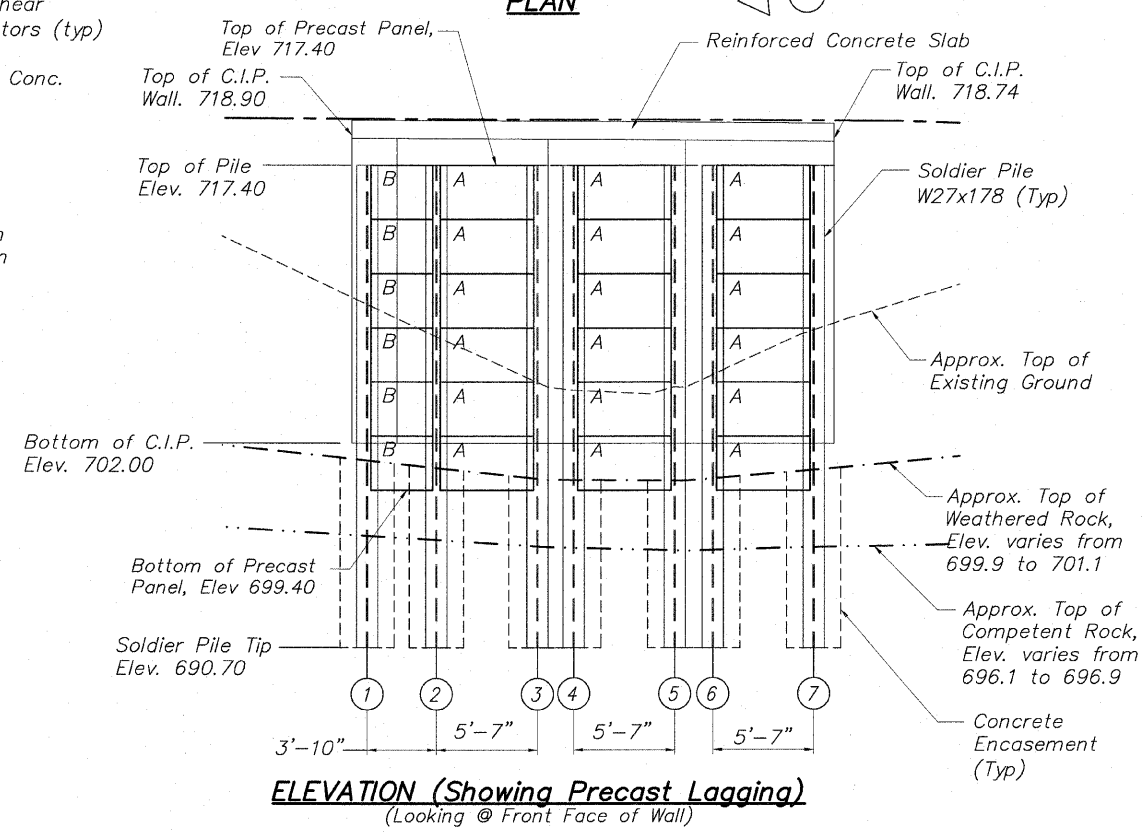


PARTIAL PLAN

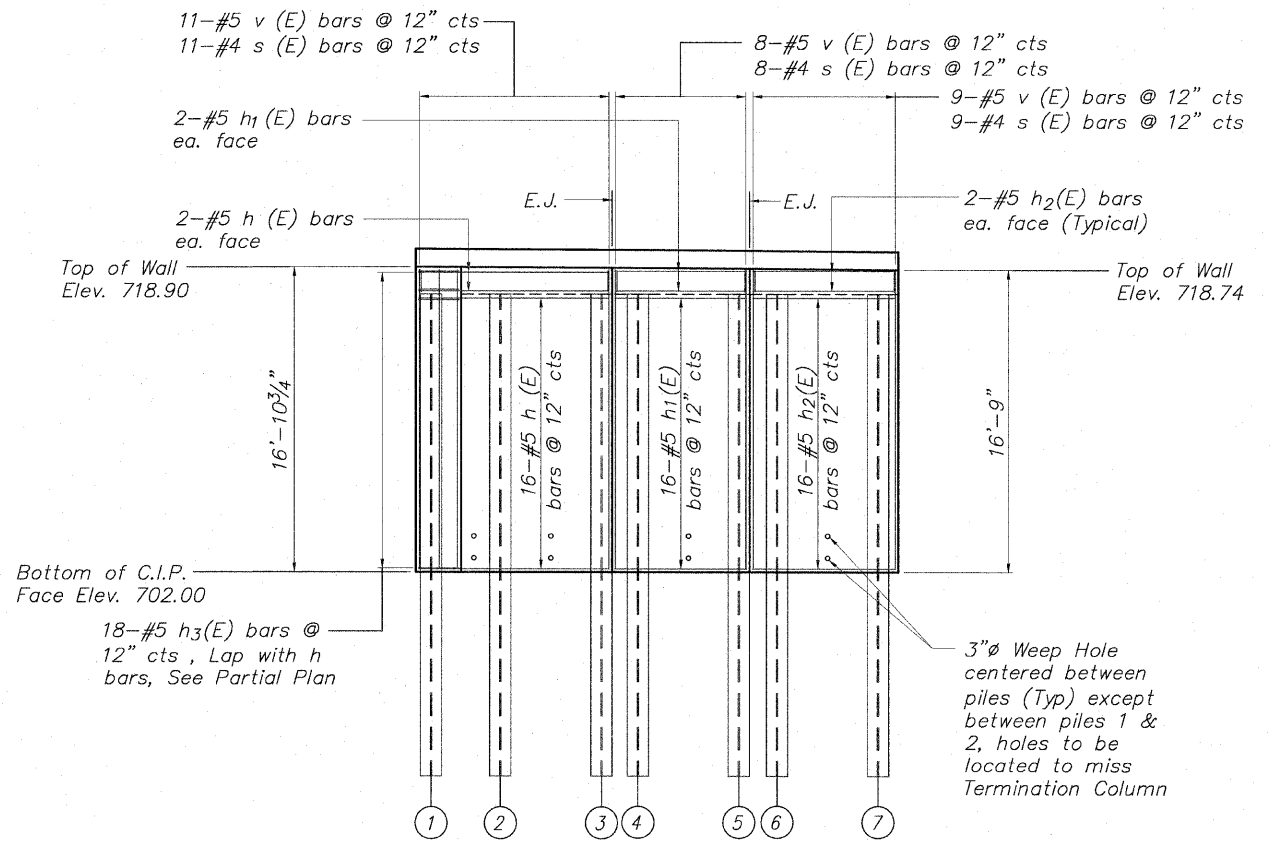
* Wall location A & C are given to front face of wall. No form liner required this area.

WALL INFORMATION CHART

Reference Point	Station to Back Face of C.I.P. Wall	Offset to Back Face of C.I.P. Wall
A	*208+05.12	*8.56' Rt.
B	208+05.12	6.11' Rt.
C	*208+07.71	*8.54' Rt.
D	208+15.47	10.23' Rt.
E	208+21.27	9.62' Rt.
F	208+28.50	5.72' Rt.



ELEVATION (Showing Precast Lagging)
(Looking @ Front Face of Wall)



ELEVATION (Showing C.I.P. Facing Reinforcement)
(Looking @ Front Face of Wall)

SOLDIER PILE INFORMATION CHART

Reference Point	Station	Offset to ϕ of Hole	Offset to Center Front Flange of Pile	Pile Section	Top of Pile	Bottom of Pile	Finished Pile Length	Furnished Pile Length	No. Stud Shear Connectors
1	208+06.37	5.38' Rt.	6.44' Rt.	W27x178	717.40	690.70	26.70	28.0	30
2	208+09.99	6.86' Rt.	7.93' Rt.	W27x178	717.40	690.70	26.70	28.0	30
3	208+15.34	8.94' Rt.	10.02' Rt.	W27x178	717.40	690.70	26.70	28.0	30
4	208+16.70	8.83' Rt.	9.97' Rt.	W27x178	717.40	690.70	26.70	28.0	30
5	208+20.68	8.47' Rt.	9.62' Rt.	W27x178	717.40	690.70	26.70	28.0	30
6	208+22.06	7.88' Rt.	8.90' Rt.	W27x178	717.40	690.70	26.70	28.0	30
7	208+26.97	5.23' Rt.	6.25' Rt.	W27x178	717.40	690.70	26.70	28.0	30
Totals							187 Ft.	196 Ft.	210 Ea.

PRECAST PANEL SCHEDULE

PANEL	NOMINAL SIZE	No.	Sq. Ft. PANELS
A	3' x 5'-2"	18	279
B	3' x 3'-5"	6	61
Total			340

MINIMUM BAR LAP

- No. 4 bars 1'-8"
- No. 5 bars 2'-2"
- No. 6 bars 2'-7"

**SP WALL No. 20 DETAILS
PEDESTRIAN RIVERWALK
ALONG THE ROCK RIVER
WINNEBAGO COUNTY
SECTION NO. 06-00543-00-BT
STATION 208+05.12 TO
STATION 208+28.50**

DESIGNED	CTB
CHECKED	AAG
DRAWN	JAW
CHECKED	JWH

McClure
Engineering Associates, Inc.
7282 Argus Drive
Rockford, Illinois 61107-5837
(815) 398-2332 Fax (815) 398-2496
Design Firm License: Illinois #184-000816
Copyright 2010 By McClure Engineering Associates, Inc.

SHEET NO. 2
5 SHEETS

F.A. RTE.	SECTION	COUNTY	TOTAL SHEETS	SHEET NO.
	06-00543-00-BT	WINNEBAGO	148	81
FED. ROAD DIST. NO.	ILLINOIS	FED. AID PROJECT		

H:\08-008 RIVERWALK\DESIGN\DRAWINGS\STRUCTURAL\08-008 SP-WALL 20.dwg, DET-20 (1), 10/26/2010 5:58:42 PM, H. JWH