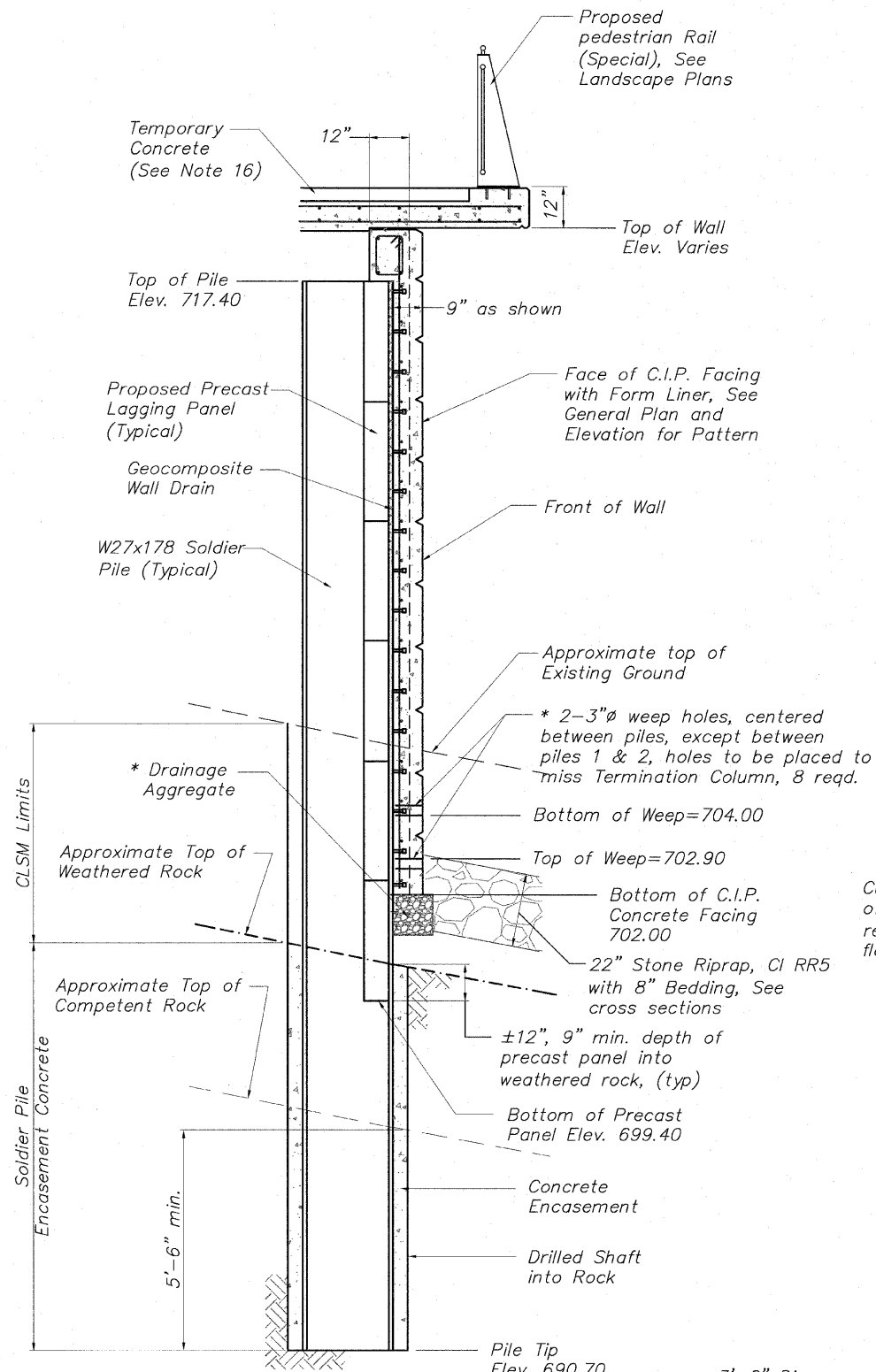
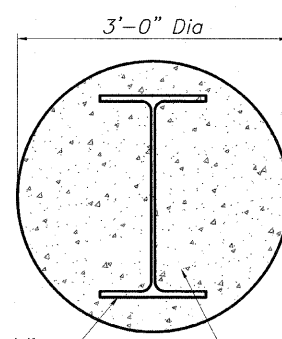


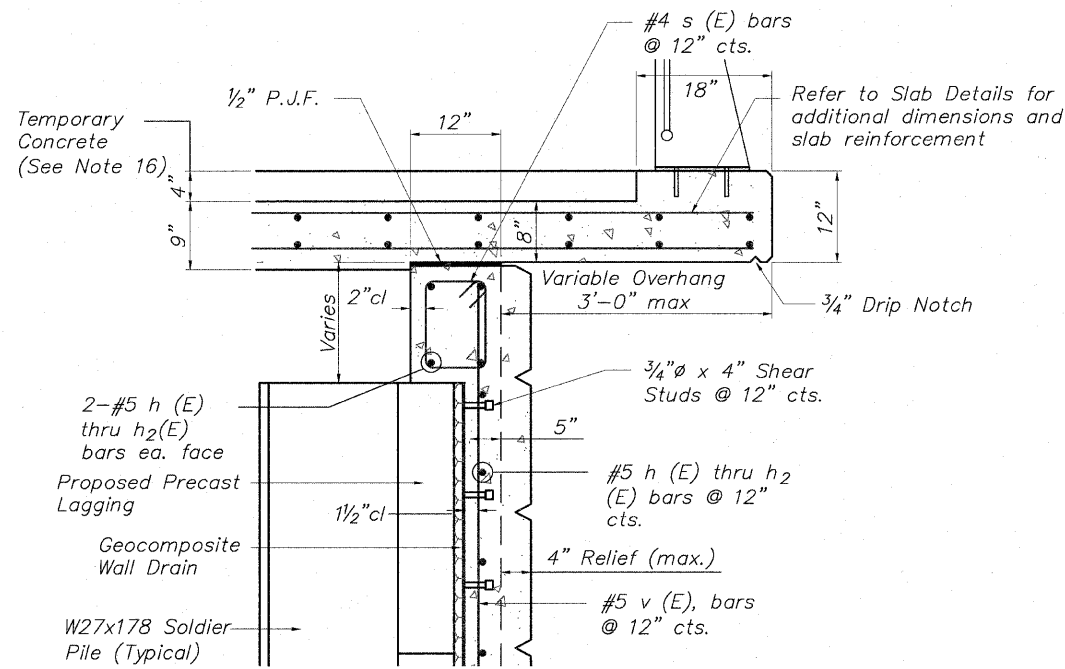
STATE OF ILLINOIS  
DEPARTMENT OF TRANSPORTATION



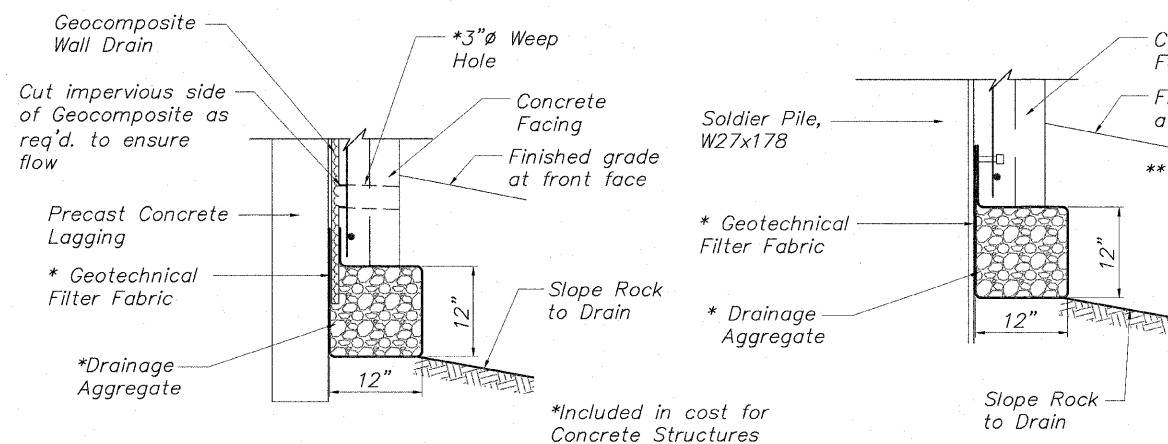
**TYPICAL WALL SECTION**



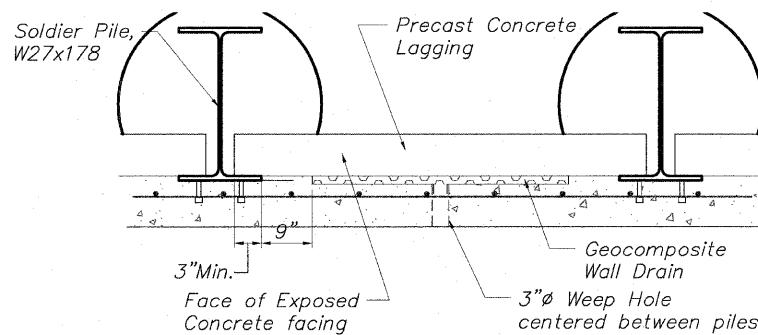
**TYPICAL PILE ENCASEMENT SECTION**  
No Scale



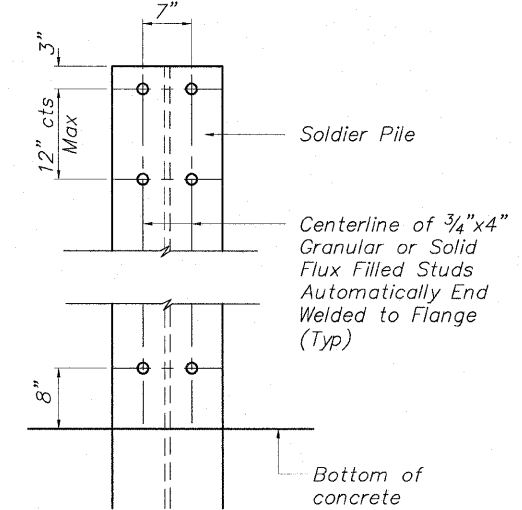
**TYPICAL WALL SECTION**  
Showing Reinforcement



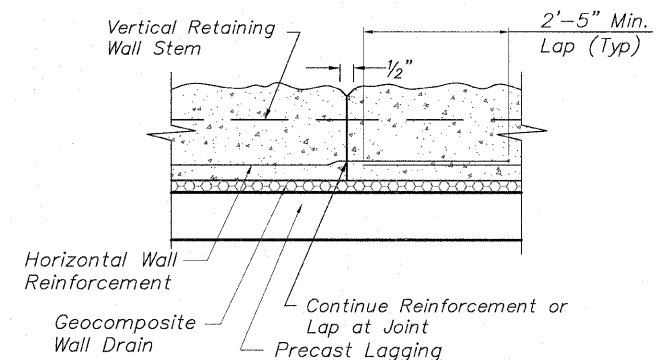
**DRAINAGE AGGREGATE DETAIL**



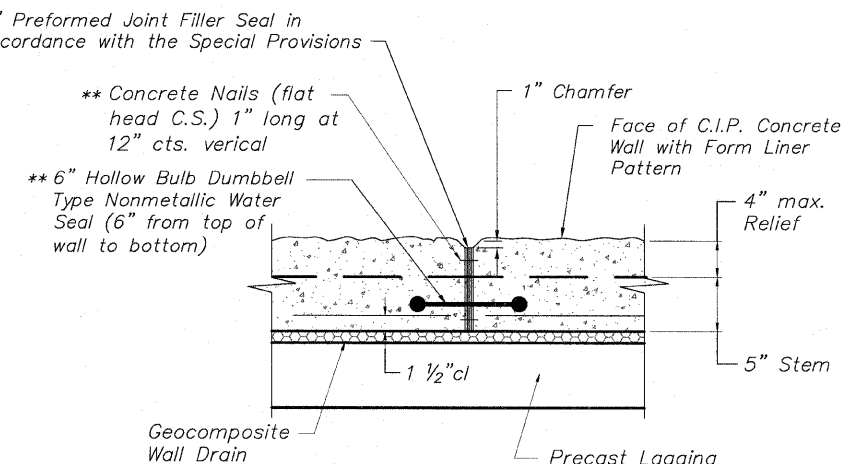
**GEOCOMPOSITE WALL DRAIN DETAIL**



**STUD SHEAR CONNECTOR LAYOUT**



**TYPICAL CONSTRUCTION JOINT DETAIL**  
No Scale



**TYPICAL EXPANSION JOINT DETAIL**  
NO SCALE

**MINIMUM BAR LAP**

No. 4 bars	1'-8"
No. 5 bars	2'-2"
No. 6 bars	2'-7"

**SP WALL No. 20 DETAILS**  
**PEDESTRIAN RIVERWALK**  
**ALONG THE ROCK RIVER**  
**WINNEBAGO COUNTY**  
**SECTION NO. 06-00543-00-BT**  
**STATION 208+05.12 TO**  
**STATION 208+28.50**

DESIGNED	CTB
CHECKED	AAG
DRAWN	JAW
CHECKED	JMH

**McClure**  
Engineering Associates, Inc.

7282 Argus Drive  
(815) 398-2332

Rockford, Illinois 61107-5837  
Fax (815) 398-2496

Design Firm License: Illinois #184-000816  
Copyright © 2009 By McClure Engineering Associates, Inc.

SHEET NO. 4  
5 SHEETS

F.A. RTE.	SECTION	COUNTY	TOTAL SHEETS	SHEET NO.
	06-00543-00-BT	WINNEBAGO	148	83
FED. ROAD DIST. NO.	ILLINOIS	FED. AID PROJECT	CONTRACT NO. 85521	

H:\05-08 RIVERWALK MUSEUM\DESIGN\DRAWINGS\STRUCTURAL\06-00543-00 SP-WALL 20.dwg, DET-20 (3), 10/26/2010 3:52:39 PM, 11, JMH