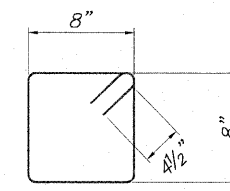


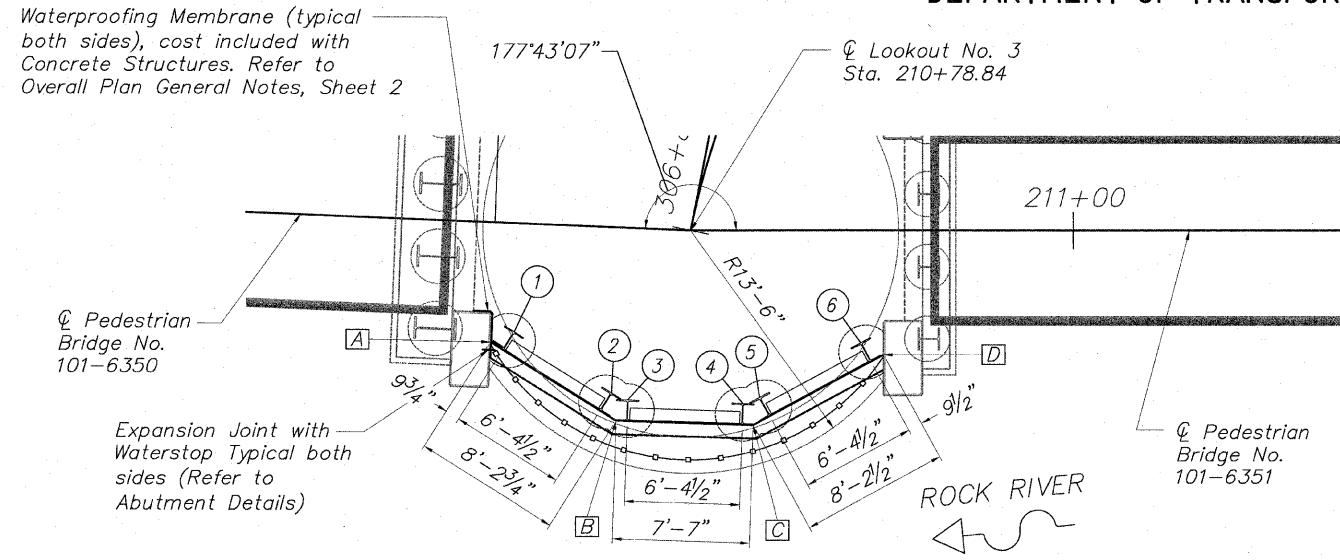
STATE OF ILLINOIS
DEPARTMENT OF TRANSPORTATION

BILL OF MATERIAL
Cast-in-Place Concrete

Bar	No.	Size	Length	Shape
h (E)	26	#5	8'-0"	—
h ₁ (E)	13	#5	7'-7"	—
s (E)	26	#4	3'-5"	⊗
v (E)	26	#5	8'-11"	—
Concrete Structures		Cu. Yd.	6.8	
Reinforcement Bars (Epoxy Coated)		Pound	535	
Form Liner Textured Surface		Sq. Ft.	225	
Staining Concrete Structures		Sq. Yd.	0	



BAR s



PLAN

SCALES:
PLAN: 1" = 5'
PROFILE: 1" = 5' HORIZONTAL
1" = 5' VERTICAL

Scale in Feet

Waterproofing Membrane (typical both sides), cost included with Concrete Structures. Refer to Overall Plan General Notes, Sheet 2

Expansion Joint with Waterstop Typical both sides (Refer to Abutment Details)

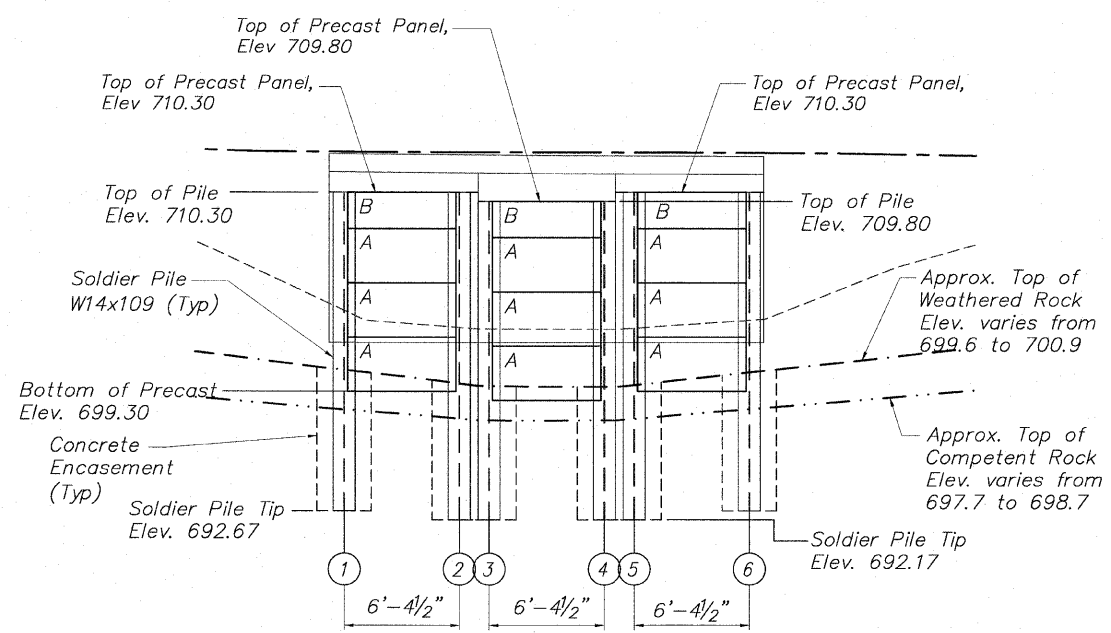
Lookout No. 3 Sta. 210+78.84

Pedestrian Bridge No. 101-6350

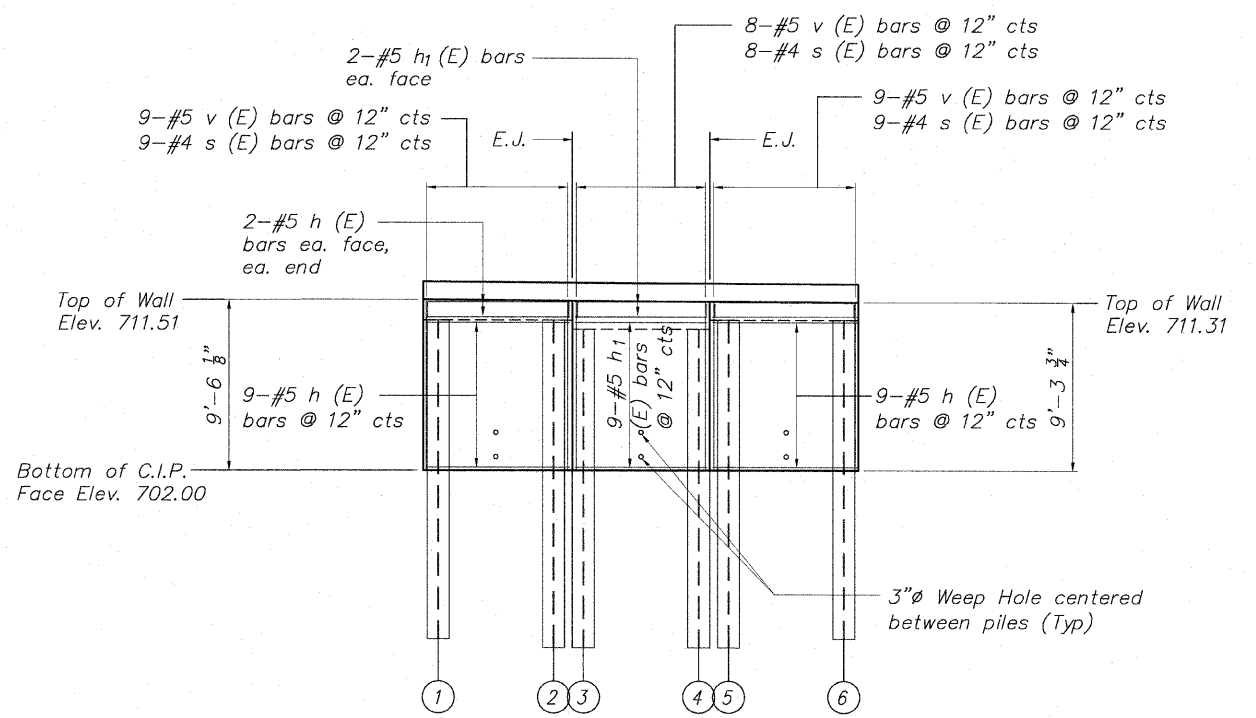
Pedestrian Bridge No. 101-6351

WALL INFORMATION CHART

Reference Point	Station to Back Face of Wall	Offset to Back Face of Wall
A	210+68.02	6.62' Rt.
B	210+75.14	10.73' Rt.
C	210+82.30	10.81' Rt.
D	210+89.50	6.87' Rt.



ELEVATION (Showing Precast Lagging)
(Looking @ Front Face of Wall)



ELEVATION (Showing C.I.P. Facing Reinforcement)
(Looking @ Front Face of Wall)

SOLDIER PILE INFORMATION CHART

Reference Point	Station	Offset to ϕ of Hole	Offset to Center Front Flange of Pile	Pile Section	Top of Pile	Bottom of Pile	Finished Pile Length	Furnished Pile Length	No. Stud Shear Connectors
1	210+69.01	6.51' Rt.	7.03' Rt.	W14x109	710.30	692.67	17.63	19	16
2	210+74.53	9.70' Rt.	10.21' Rt.	W14x109	710.30	692.17	18.13	19	16
3	210+75.74	10.13' Rt.	10.72' Rt.	W14x109	709.80	692.17	17.63	19	16
4	210+81.71	10.20' Rt.	10.79' Rt.	W14x109	709.80	692.17	17.63	19	16
5	210+82.93	9.79' Rt.	10.31' Rt.	W14x109	710.30	692.17	18.13	19	16
6	210+88.52	6.73' Rt.	7.25' Rt.	W14x109	710.30	692.67	17.63	19	16
Totals							107 Ft.	114 Ft.	96 Ea.

PRECAST PANEL SCHEDULE

PANEL	NOMINAL SIZE	No.	Sq. Ft. PANELS
A	3' x 6'	9	162
B	2' x 6'	3	36
Total			198

MINIMUM BAR LAP

- No. 4 bars 1'-8"
- No. 5 bars 2'-2"
- No. 6 bars 2'-7"

SP WALL No. 22 DETAILS
PEDESTRIAN RIVERWALK
ALONG THE ROCK RIVER
WINNEBAGO COUNTY
SECTION NO. 06-00543-00-BT
STATION 210+67.98 TO
STATION 210+89.50

DESIGNED	CTB
CHECKED	AAG
DRAWN	JAW
CHECKED	JWH

McClure
Engineering Associates, Inc.
7362 Argus Drive
Rockford, Illinois 61107-5837
(815) 398-2332 Fax (815) 398-2496
Design Firm License: Illinois #184-000816
Copyright 2010 By McClure Engineering Associates, Inc.

SHEET NO. 2
5 SHEETS

F.A. RTE.	SECTION	COUNTY	TOTAL SHEETS	SHEET NO.
	06-00543-00-BT	WINNEBAGO	148	91
FED. ROAD DIST. NO.		ILLINOIS	CONTRACT NO. 85521	
		FED. AID PROJECT		

H:\08-008 RIVERWALK MUSEUM\DRAWINGS\STRUCTURAL\SP-WALL 22.dwg, DET-22 (1), 10/26/2010 6:05:36 PM, JT, JWH