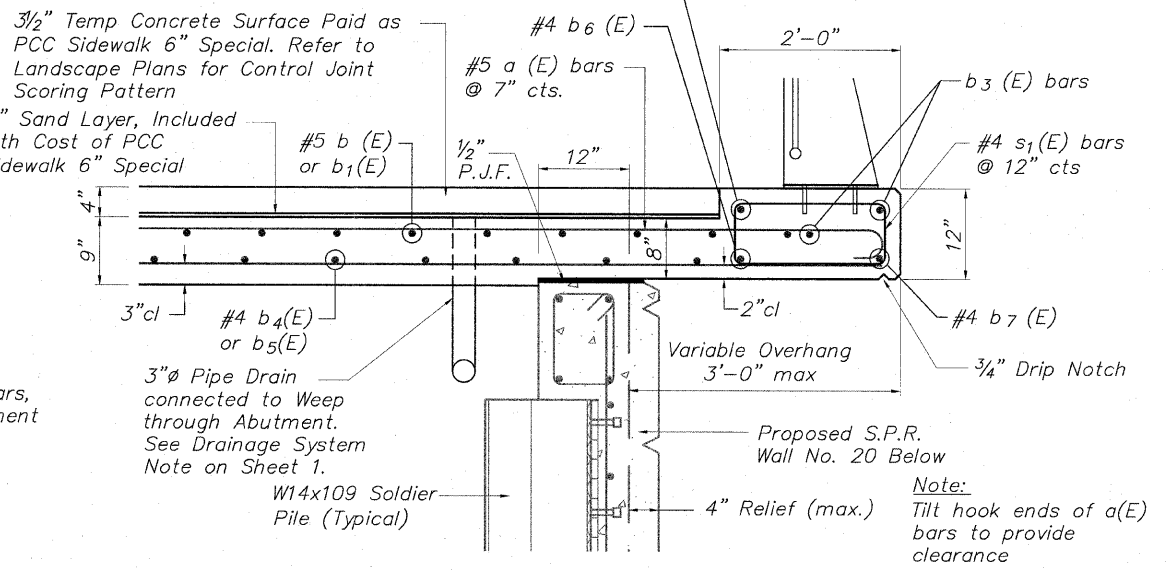
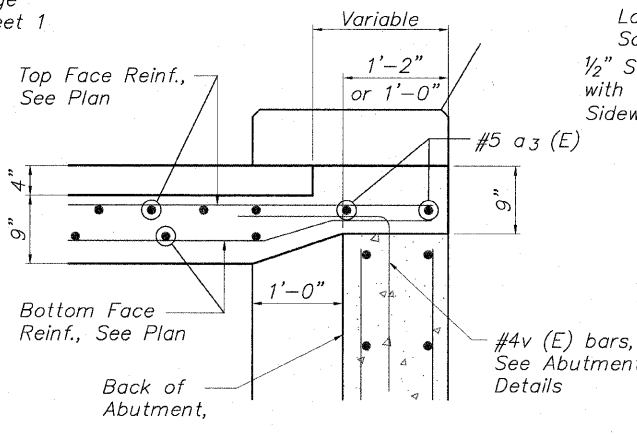
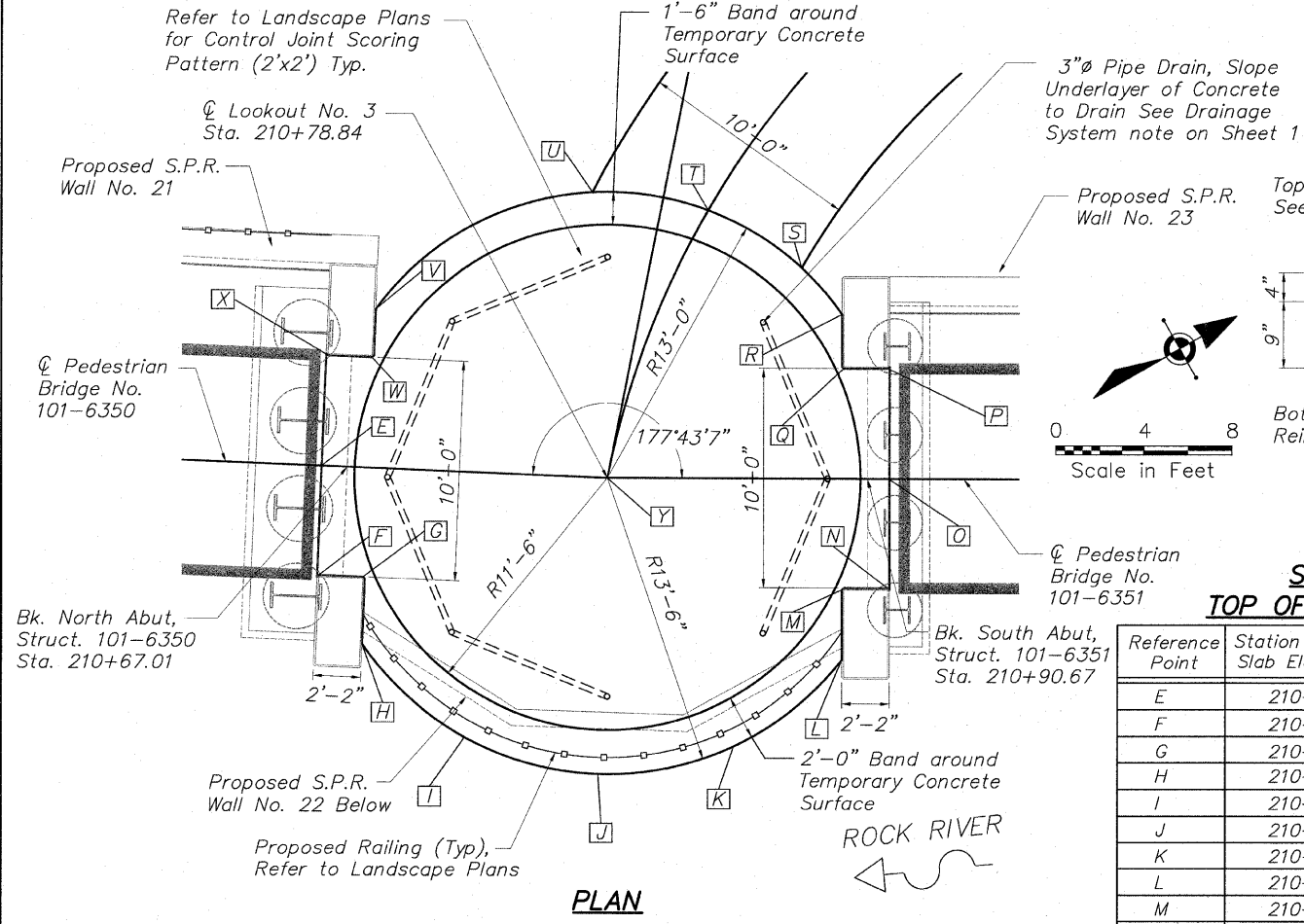


STATE OF ILLINOIS
DEPARTMENT OF TRANSPORTATION



SECTION AT BRIDGE ABUTMENT
TOP OF SLAB ELEVATION CHART

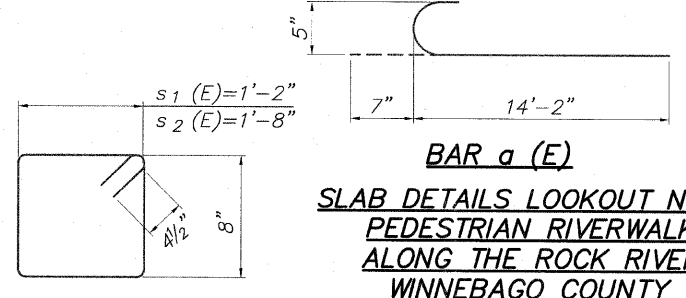
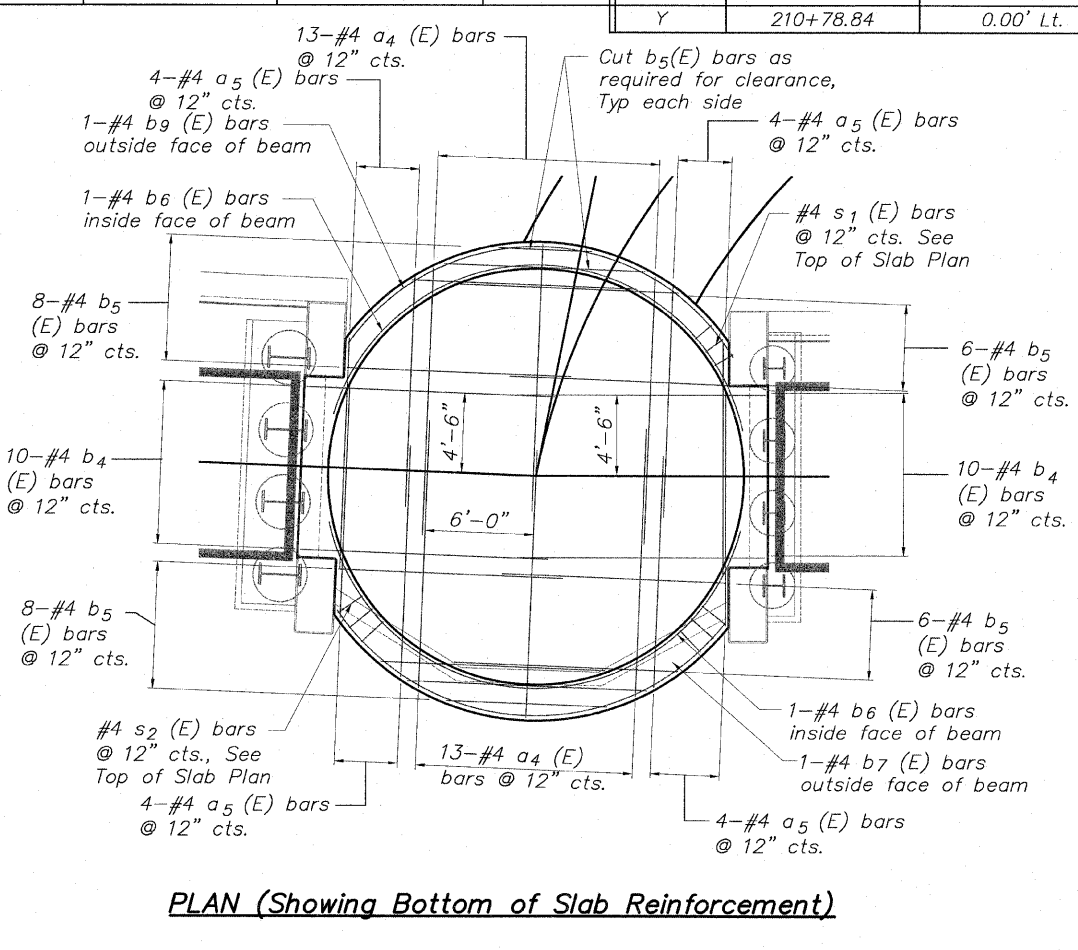
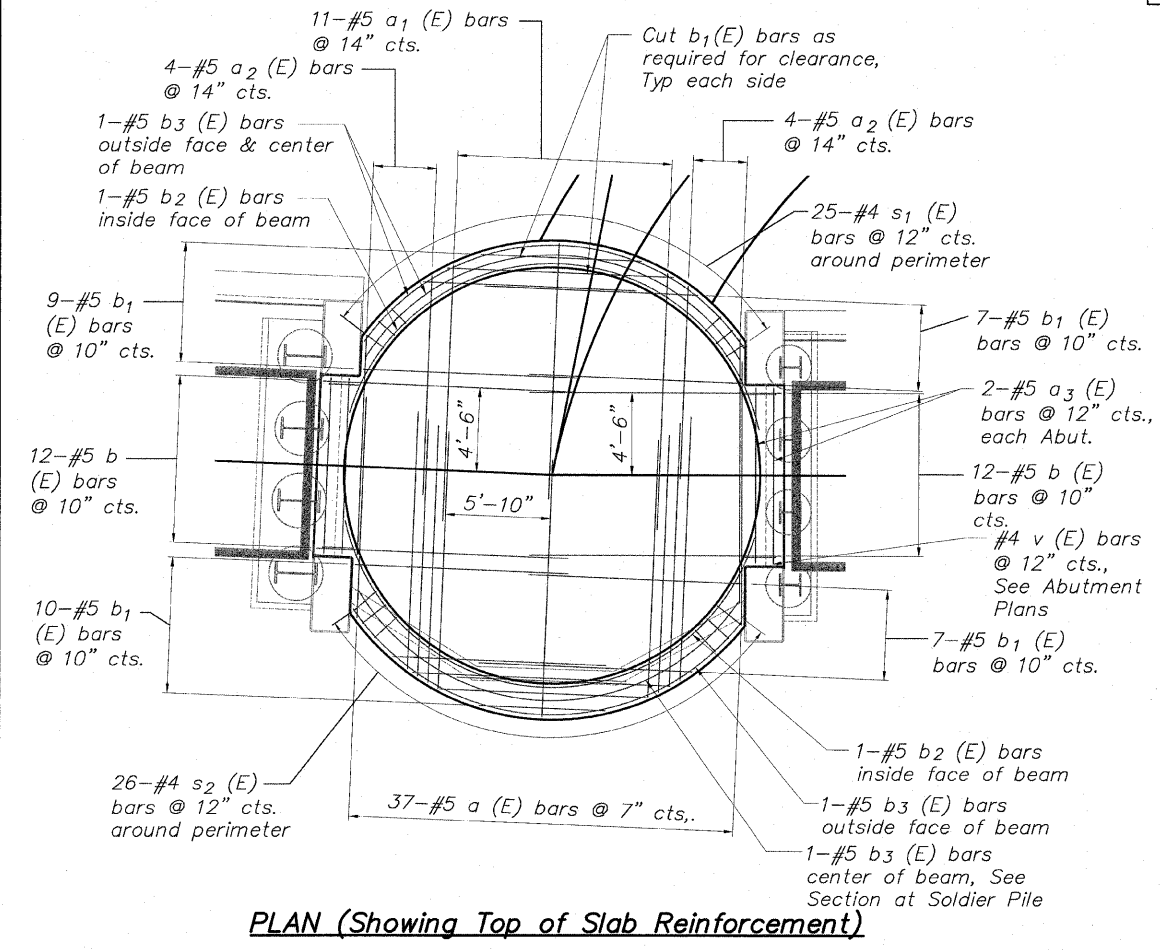
Reference Point	Station to Top of Slab Elevation Pt.	Offset to Top of Slab Elevation Pt.	Elevation	Reference Point	Station to Top of Slab Elevation Pt.	Offset to Top of Slab Elevation Pt.	Elevation
E	210+65.84	0.00' Rt.	712.61	O	210+91.67	0.00' Rt.	712.44
F	210+65.84	5.00' Rt.	712.56	P	210+91.67	5.00' Lt.	712.49
G	210+68.01	5.00' Rt.	712.54	Q	210+89.58	5.00' Lt.	712.51
H	210+68.01	8.06' Rt.	712.51	R	210+89.50	7.44' Lt.	712.54
I	210+72.84	12.09' Rt.	712.44	S	210+87.67	9.55' Lt.	712.58
J	210+78.84	13.50' Rt.	712.38	T	210+83.41	12.17' Lt.	712.64
K	210+84.59	12.21' Rt.	712.31	U	210+77.64	12.94' Lt.	712.65
L	210+89.50	8.28' Rt.	712.31	V	210+68.01	7.19' Lt.	712.66
M	210+89.58	5.00' Rt.	712.37	W	210+68.01	5.00' Lt.	712.64
N	210+91.67	5.00' Rt.	712.39	X	210+65.84	5.00' Lt.	712.66
				Y	210+78.84	0.00' Lt.	712.52

SECTION AT SOLDIER PILE WALL

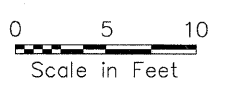
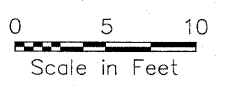
BILL OF MATERIAL

LOOKOUT No. 3 SLAB

Bar	No.	Size	Length	Shape
a (E)	37	#5	14'-9"	—
a1(E)	11	#5	14'-2"	—
a2(E)	8	#5	10'-8"	—
a3(E)	4	#5	9'-8"	—
a4(E)	26	#4	14'-9"	—
a5(E)	16	#4	12'-9"	—
b (E)	24	#5	13'-11"	—
b1(E)	33	#5	11'-9"	—
b2(E)	2	#5	30'-9"	R11'-8"
b3(E)	2	#5	25'-0"	R13'-4"
b4(E)	20	#4	13'-8"	—
b5(E)	28	#4	12'-5"	—
b6(E)	2	#4	31'-0"	R11'-8"
b7(E)	1	#4	25'-0"	R12'-9"
b8(E)	2	#5	24'-9"	R12'-9"
b9(E)	1	#4	25'-2"	R12'-9"
s1(E)	25	#4	4'-5"	□
s2(E)	26	#4	5'-5"	□
Concrete Structures		Cu. Yd.	16.2	
Reinforcement Bars (Epoxy Coated)		Pound	2,815	
Rubbed Finish		Sq. Ft.	28	



DESIGNED	CTB
CHECKED	AAG
DRAWN	JAW
CHECKED	JWH



McClure
Engineering Associates, Inc.
7282 Argus Drive
(615) 398-2332
Rockford, Illinois 61107-5037
Fax (615) 398-2496
Design Firm License: Illinois #184-000816
Copyright 2010 By McClure Engineering Associates, Inc.

SHEET NO. 5
5 SHEETS

F.A. RTE.	SECTION	COUNTY	TOTAL SHEETS	SHEET NO.
	06-00543-00-BT	WINNEBAGO	148	94
FED. ROAD DIST. NO.	ILLINOIS	FED. AID PROJECT	CONTRACT NO. 85521	

H:\05-08 RIVERWALK MUSEUM\DESIGN\DRAWINGS\STRUCTURAL\LOOKOUT DET.DWG, PLANDDET LOOKOUTS, 10/26/2010 4:05:42 PM, E1, JWH