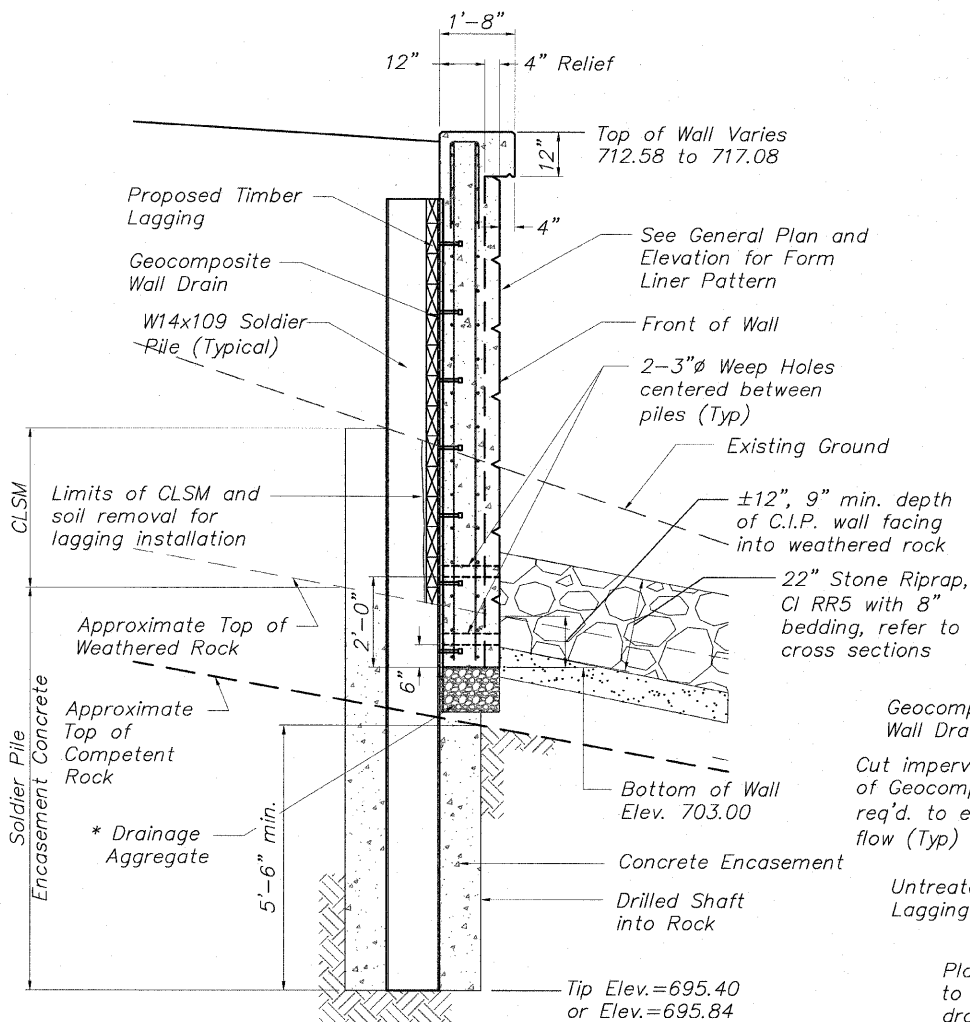
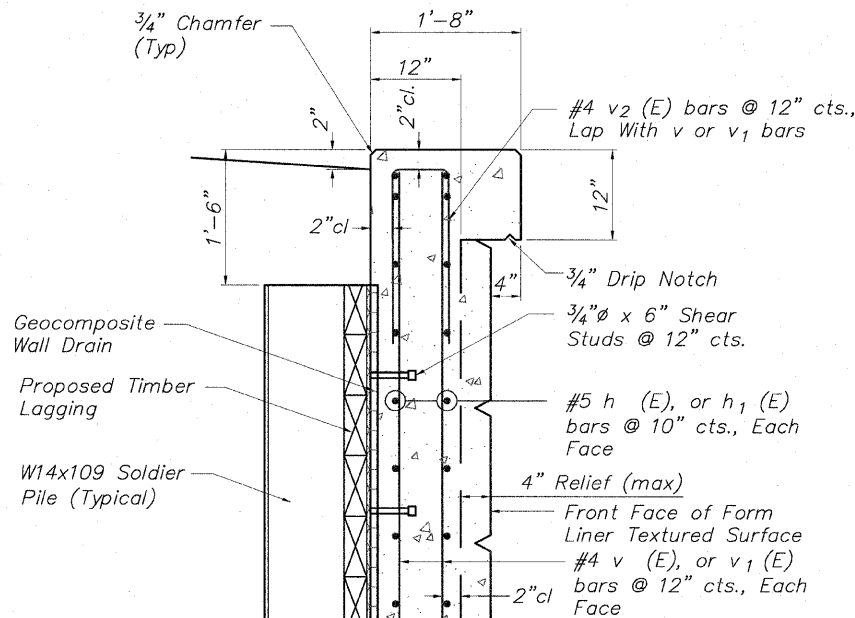


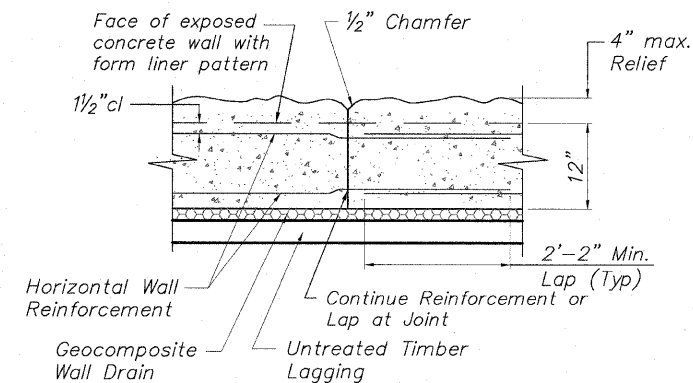
STATE OF ILLINOIS  
DEPARTMENT OF TRANSPORTATION



**TYPICAL WALL SECTION**  
Showing Reinforcement

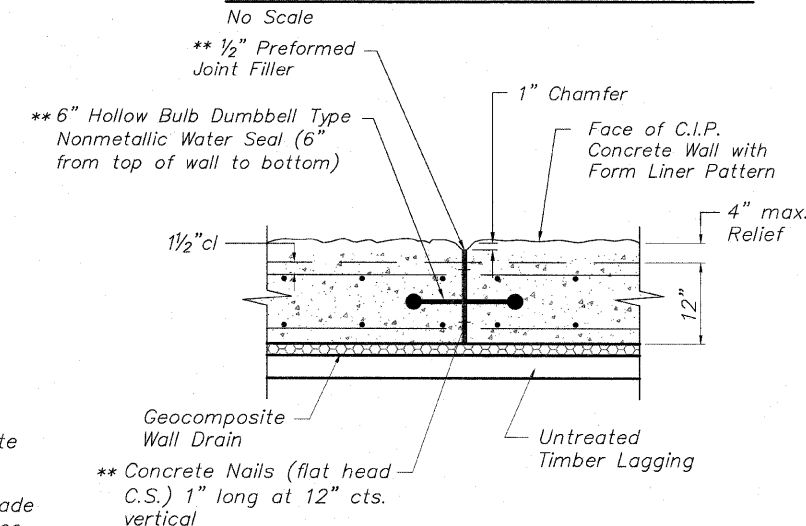


**TYPICAL WALL SECTION**  
Showing Reinforcement



**PLAN VIEW**

**TYPICAL CONSTRUCTION JOINT DETAIL**

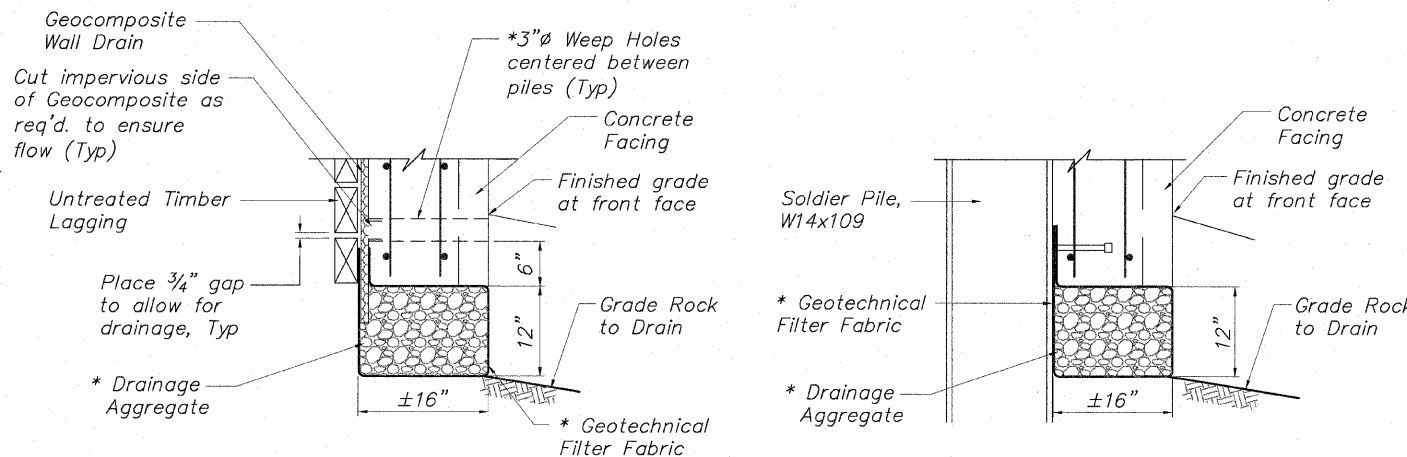


**PLAN VIEW**

Space Expansion Joints as Shown on Elevation  
\*\* Cost included with Concrete Structures

**TYPICAL EXPANSION JOINT DETAIL**

No Scale

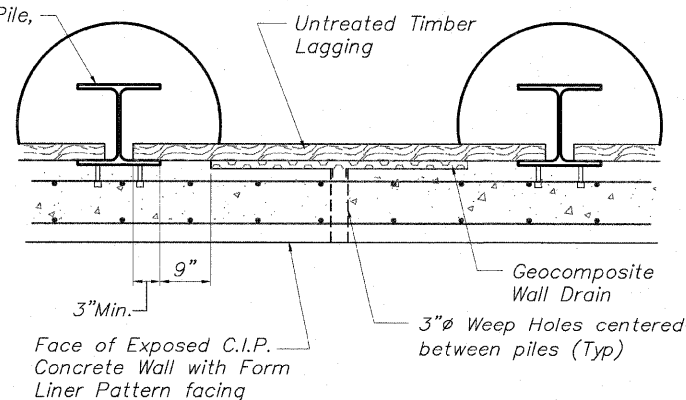


**BETWEEN SOLDIER PILES**

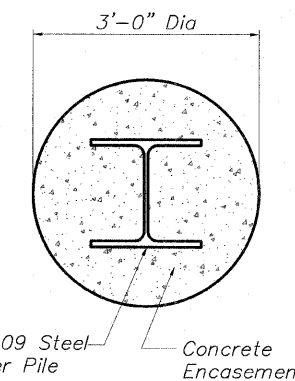
**AT SOLDIER PILES**

**DRAINAGE AGGREGATE DETAIL**

\* Included in the cost for Concrete Structures

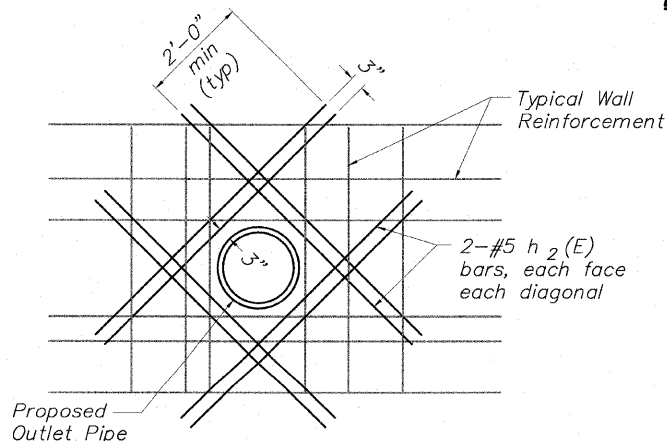


**GEOCOMPOSITE WALL DRAIN DETAIL**



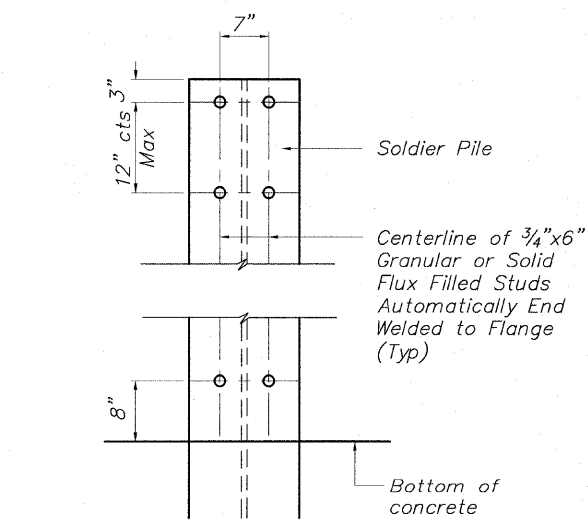
**TYPICAL PILE ENCASEMENT SECTION**  
No Scale

**SP WALL No. 23 DETAILS**  
**PEDESTRIAN RIVERWALK**  
**ALONG THE ROCK RIVER**  
**WINNEBAGO COUNTY**  
**SECTION NO. 06-00543-00-BT**  
**STATION 210+86.59 TO**  
**STATION 211+92.60**



Move horizontal and vertical wall reinforcement up to one half their bar spacing to miss wall opening

**WALL PENETRATION DETAIL**



**STUD SHEAR CONNECTOR LAYOUT**

DESIGNED	CTB
CHECKED	AAG
DRAWN	JAW
CHECKED	JWH

**McClure**  
Engineering Associates, Inc.  
7282 Argus Drive  
(815) 398-2332  
Rockford, Illinois 61107-5837  
Fax (815) 398-2496  
Design Firm License: Illinois #184-000816  
Copyright 2009 By McClure Engineering Associates, Inc.

SHEET NO. 3  
4 SHEETS

F.A. RTE.	SECTION	COUNTY	TOTAL SHEETS	SHEET NO.
	06-00543-00-BT	WINNEBAGO	148	97
FED. ROAD DIST. NO.		ILLINOIS	CONTRACT NO. 85521	
		FED. AID PROJECT		

H:\06\_08 RIVERWALK MUSEUM\DESIGN\DRAWINGS\STRUCTURAL\GP&E\06-08 SP-WALL 23.DWG, DET-23 (2), 10/26/2010 4:11:07 PM, 1:1, JWH