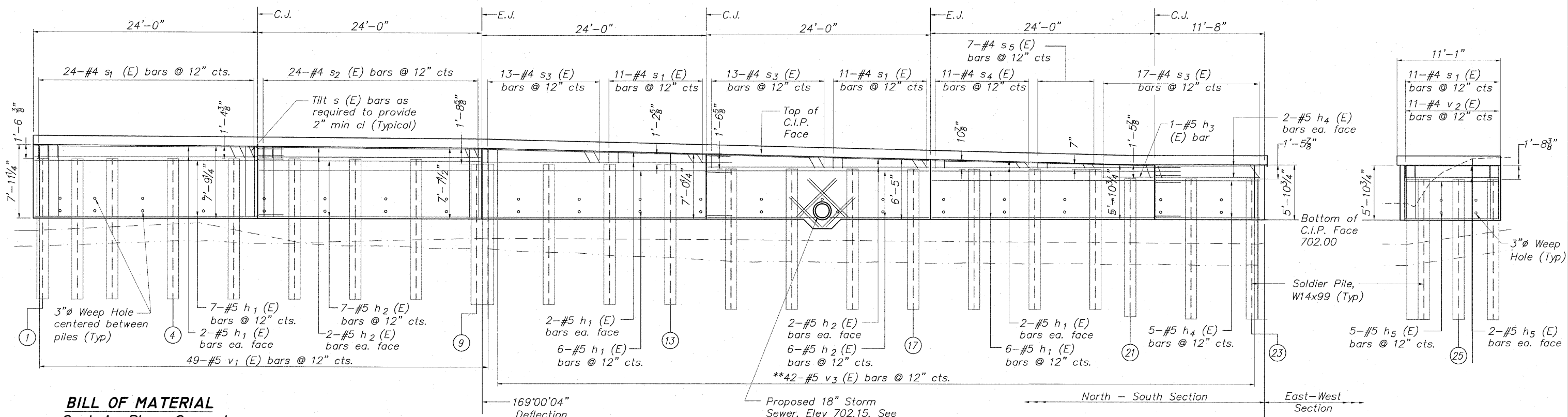


STATE OF ILLINOIS
DEPARTMENT OF TRANSPORTATION



BILL OF MATERIAL
Cast-in-Place Concrete

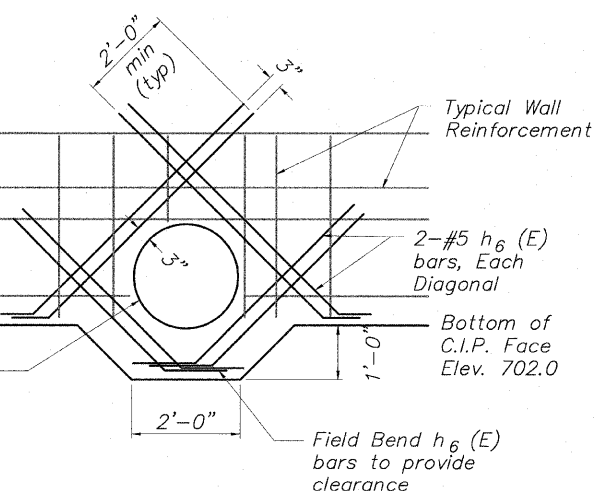
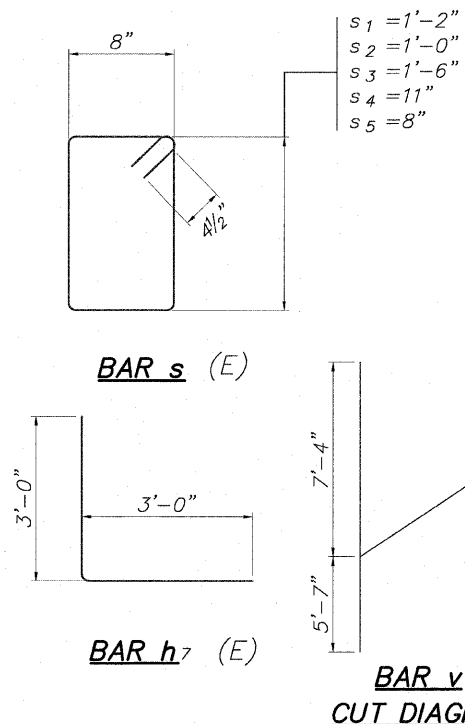
Bar	No.	Size	Length	Shape
h1 (E)	31	#5	26'-5"	—
h2 (E)	21	#5	23'-8"	—
h3 (E)	1	#5	8'-3"	—
h4 (E)	9	#5	11'-1"	—
h5 (E)	9	#5	10'-1"	—
h6 (E)	8	#5	6'-0"	—
h7 (E)	10	#5	6'-6"	—
v1 (E)	49	#5	7'-6"	—
v2 (E)	11	#5	5'-8"	—
**v3 (E)	42	#5	12'-11"	—
s1 (E)	57	#4	4'-5"	□
s2 (E)	24	#4	4'-1"	□
s3 (E)	43	#4	5'-1"	□
s4 (E)	11	#4	3'-11"	□
s5 (E)	7	#4	3'-5"	□
Concrete Structures	Cu. Yd.		32.2	
Reinforcement Bars (Epoxy Coated)	Pound		3,135	
Form Liner Textured Surface	Sq. Ft.		973	

**Order bars full length, field cut bars and use remaining bars at opposite end.

ELEVATION (Showing C.I.P. Facing Reinforcement)
North-South Section
(Looking @ Front Face of Wall)

MINIMUM BAR LAP

- No. 4 bars 1'-8"
- No. 5 bars 2'-2"
- No. 6 bars 2'-7"



Move horizontal and vertical wall reinforcement up to one half their bar spacing to miss wall opening

WALL PENETRATION DETAIL

**Order bars full length, field cut bars and use remaining bars at opposite end.

ELEVATION (Showing C.I.P. Facing Reinforcement)
East-West Section
(Looking @ Front Face of Wall)

BORING NUMBER	STATION	OFFSET	GROUND ELEV.	EST. COMP. ROCK ELEV.
B-1	205+62	20.1' LT	728	N/A
B-2	206+69	44.3' LT	728	N/A
B-3	207+60	36.1' LT	728	701.5
B-4	208+20	43.1' RT	695	693.5
B-5	209+64	59.9' RT	693	691.0
B-6	210+83	40.15' RT	696	693.0
B-7	212+10	37.74' RT	696	694.5
B-8	213+71	34.17' RT	698	691.5
B-9	211+98	31.8' LT	716	706.0
B-10	211+67	77.9' LT	720	710.0
B-11	212+57	61.6' LT	721	705.0
B-12	211+12	200.5' LT	736	714.0
B-13	212+13	155.2' LT	730	709.0
B-14	209+57	39.5' LT	730	705.0
B-15	208+63	54.3' LT	730	700.0

SP WALL No. 24 DETAILS
CAST-IN-PLACE CONCRETE ELEVATION
PEDESTRIAN RIVERWALK
ALONG THE ROCK RIVER
WINNEBAGO COUNTY
SECTION NO. 06-00543-00-BT
STATION 211+87.04 TO
STATION 213+18.55

DESIGNED	CTB
CHECKED	AAG
DRAWN	JAW
CHECKED	JWH

McClure
Engineering Associates, Inc.
7282 Argus Drive
(815) 398-2332
Rockford, Illinois 61107-5837
Fax (815) 398-2496
Design Firm License: #184-000816
Copyright 2009 By McClure Engineering Associates, Inc.

SHEET NO. 3
7 SHEETS

F.A. RTE.	SECTION	COUNTY	TOTAL SHEETS	SHEET NO.
	06-00543-00-BT	WINNEBAGO	148	101
FED. ROAD DIST. NO.		ILLINOIS	FED. AID PROJECT	
			CONTRACT NO. 85521	