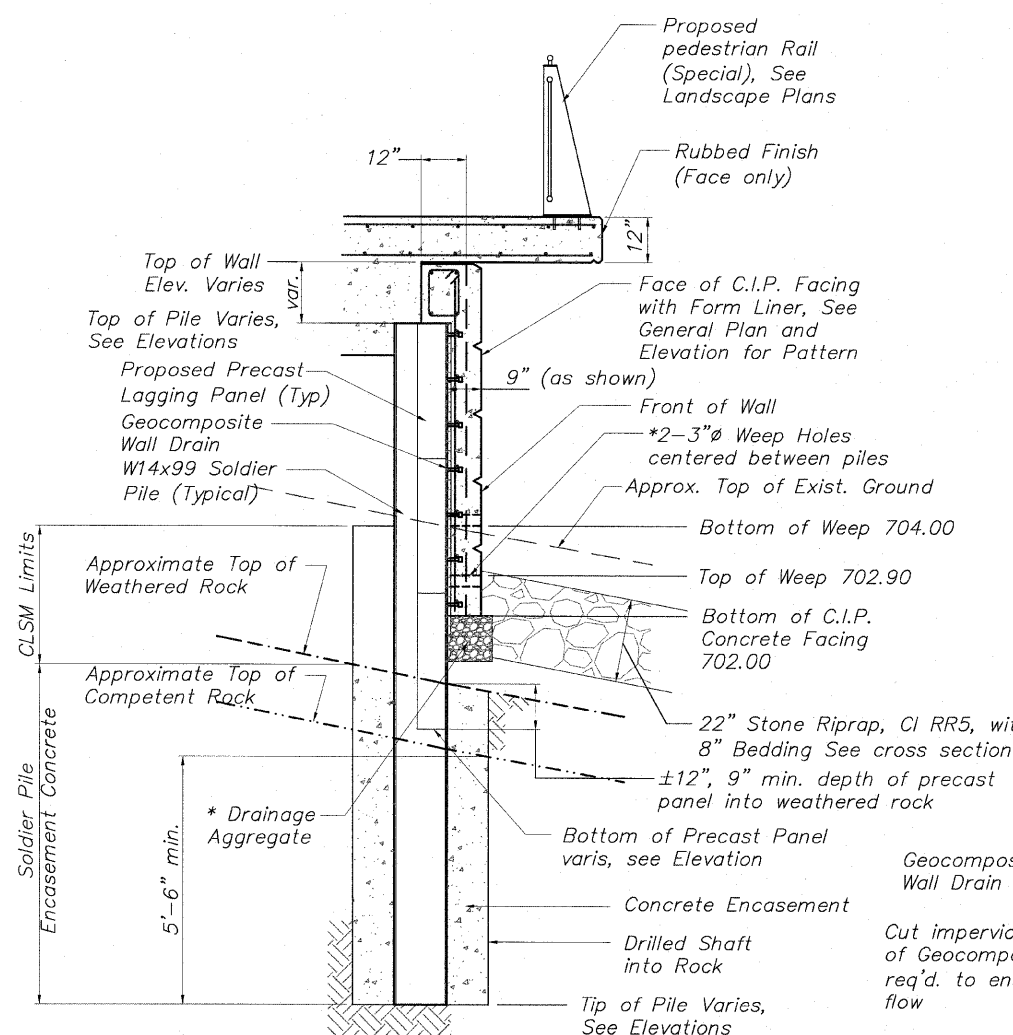
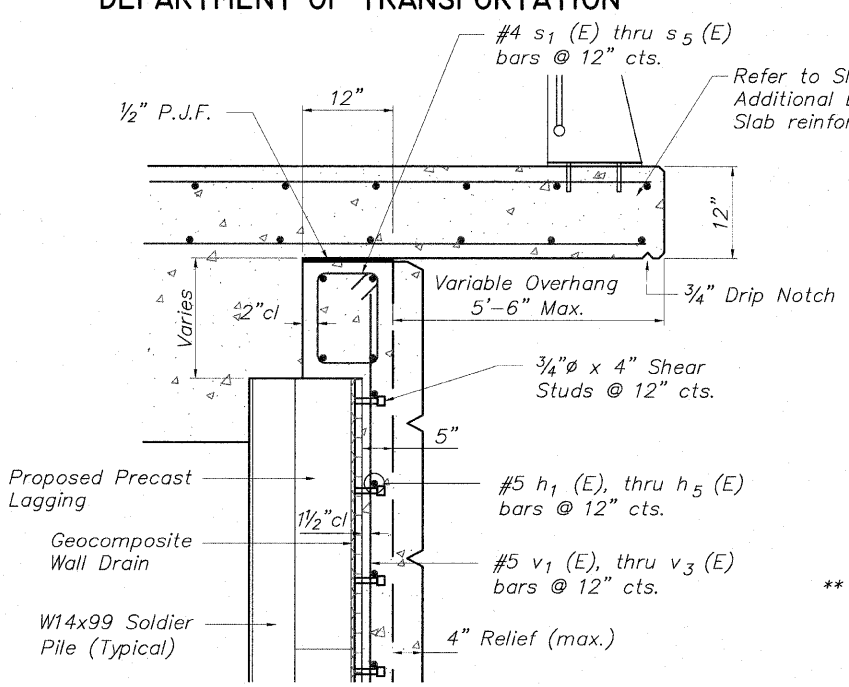


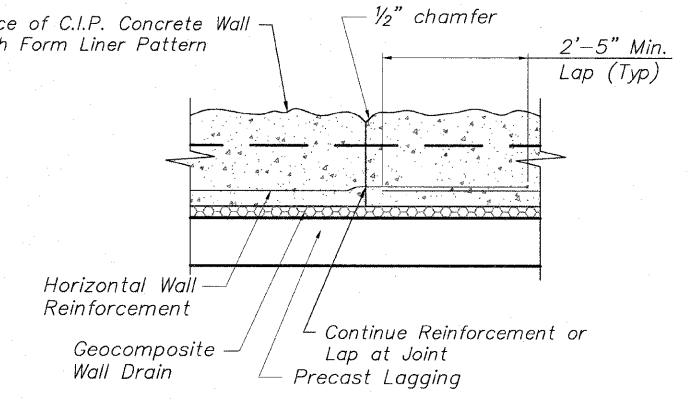
STATE OF ILLINOIS
DEPARTMENT OF TRANSPORTATION



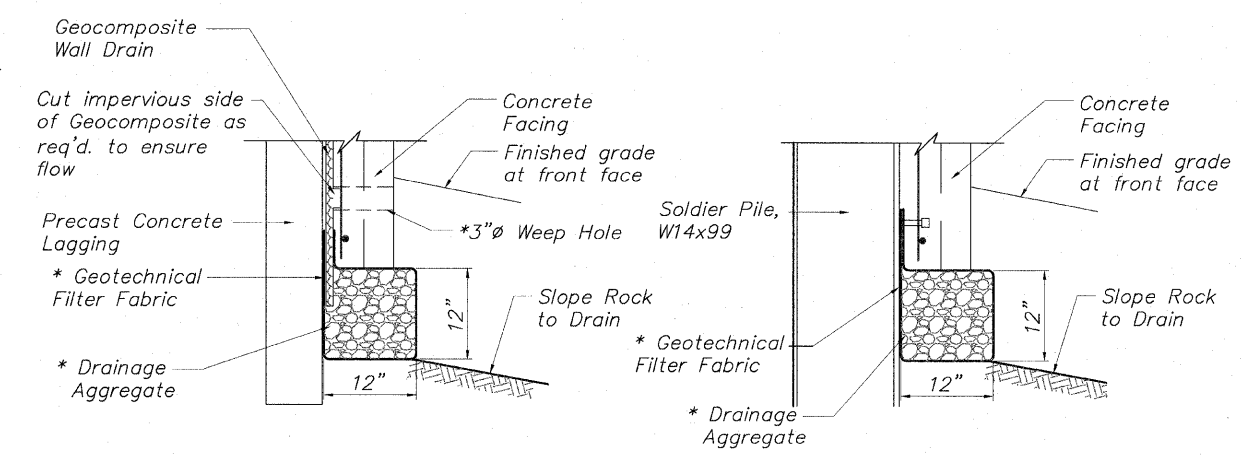
TYPICAL WALL SECTION
Showing Reinforcement



TYPICAL WALL SECTION
Showing Reinforcement

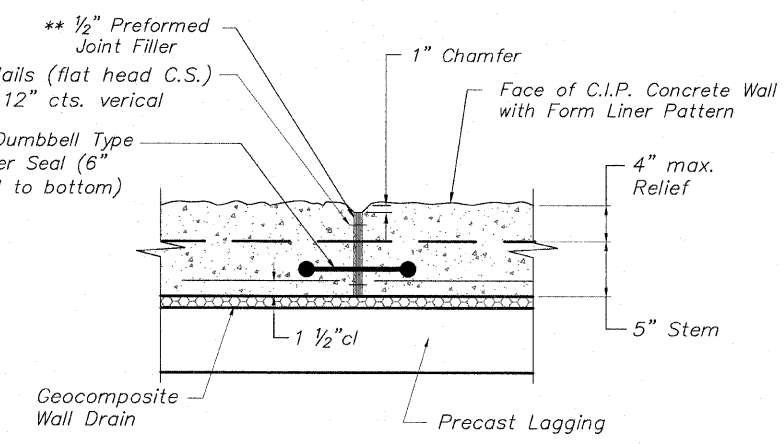


PLAN VIEW
TYPICAL CONSTRUCTION JOINT DETAIL
NO SCALE



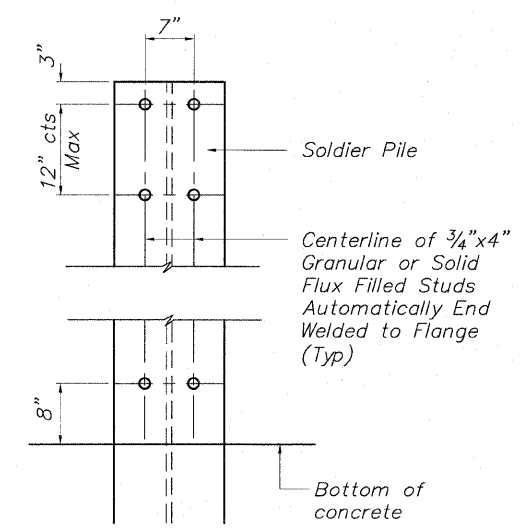
BETWEEN SOLDIER PILES * Included in the cost for Concrete Structures **AT SOLDIER PILES**

DRAINAGE AGGREGATE DETAIL

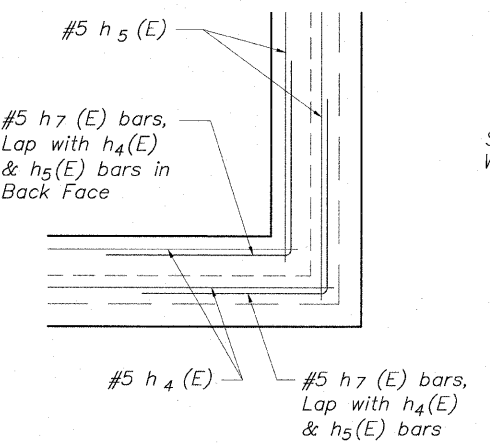


PLAN VIEW
Space Expansion Joints as Shown on Elevation
** Cost included with Concrete Structures

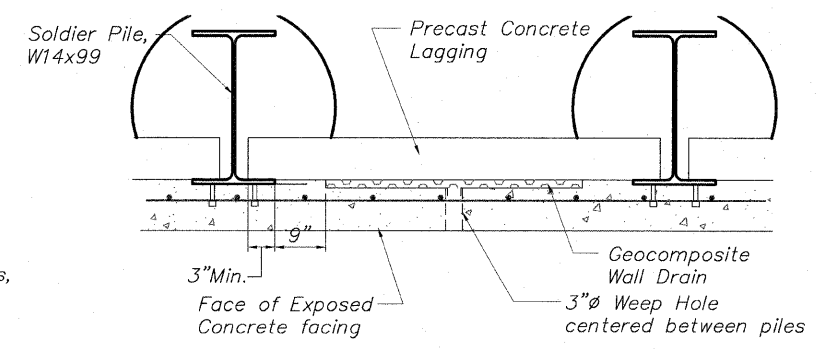
TYPICAL EXPANSION JOINT DETAIL
NO SCALE



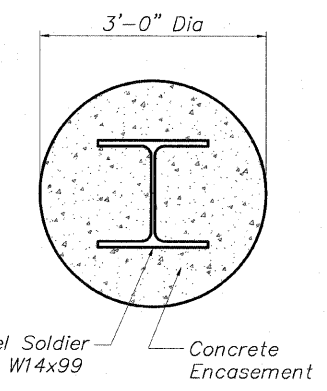
STUD SHEAR CONNECTOR LAYOUT



CORNER DETAIL



GEOCOMPOSITE WALL DRAIN DETAIL



TYPICAL PILE ENCASEMENT SECTION
NO SCALE

MINIMUM BAR LAP

No. 4 bars	1'-8"
No. 5 bars	2'-2"
No. 6 bars	2'-7"

SP WALL No. 24 DETAILS
PEDESTRIAN RIVERWALK
ALONG THE ROCK RIVER
WINNEBAGO COUNTY
SECTION NO. 06-00543-00-BT
STATION 211+87.04 TO
STATION 213+18.55

DESIGNED	JWH
CHECKED	AAG
DRAWN	JAW
CHECKED	JWH

McClure
Engineering Associates, Inc.
7282 Argue Drive
(815) 398-2332
Rockford, Illinois 61107-5837
Fax (815) 398-2496
Design Firm License: Illinois #184-000816
Copyright 2009, By McClure Engineering Associates, Inc.

SHEET NO. 4
7 SHEETS

F.A. RTE.	SECTION	COUNTY	TOTAL SHEETS	SHEET NO.
	06-00543-00-BT	WINNEBAGO	148	102
FED. ROAD DIST. NO.	ILLINOIS	FED. AID PROJECT	CONTRACT NO. 85521	

H:\06_008 RIVERWALK MUSEUM\DESIGN\DRAWINGS\STRUCTURAL\GPBE\08-008 SP-WALL 24.DWG, DET-24 (3), 10/26/2010 4:16:44 PM, J.T. JWH