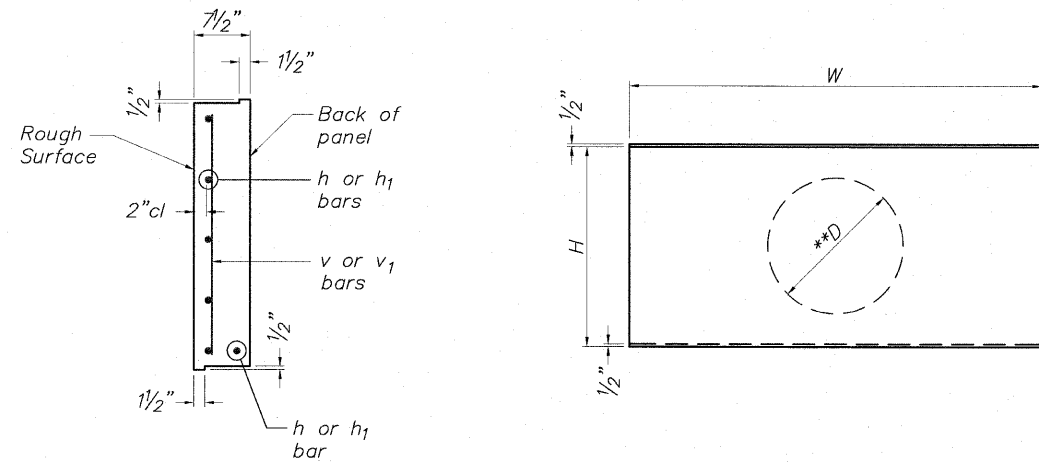


**SOLDIER PILE INFORMATION CHART**

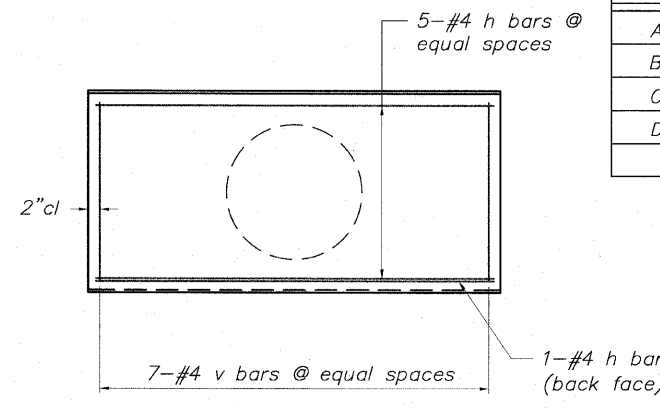
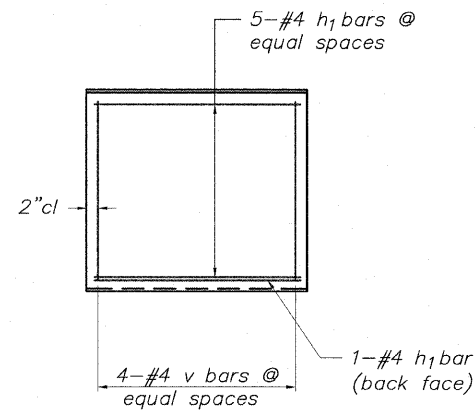
Reference Point	Station	Offset to $\phi$ of Hole	Offset to Center Front Flange of Pile	Pile Section	Top of Pile	Bottom of Pile	Finished Pile Length	Furnished Pile Length	No. Stud Shear Connectors
1	211+87.84	6.45' Rt.	7.05' Rt.	W14x99	708.40	693.40	15.00'	16.00'	12
2	211+91.57	6.28' Rt.	6.87' Rt.	W14x99	708.40	693.40	15.00'	16.00'	12
3	211+95.30	6.11' Rt.	6.70' Rt.	W14x99	708.40	693.40	15.00'	16.00'	12
4	212+01.80	5.81' Rt.	6.40' Rt.	W14x99	708.40	693.40	15.00'	16.00'	12
5	212+08.29	5.51' Rt.	6.10' Rt.	W14x99	708.40	693.40	15.00'	16.00'	12
6	212+14.78	5.21' Rt.	5.80' Rt.	W14x99	708.40	693.40	15.00'	16.00'	12
7	212+21.28	4.91' Rt.	5.50' Rt.	W14x99	708.40	693.40	15.00'	16.00'	12
8	212+27.77	4.61' Rt.	5.20' Rt.	W14x99	708.40	693.40	15.00'	16.00'	12
9	212+34.26	4.31' Rt.	4.90' Rt.	W14x99	707.90	692.90	15.00'	16.00'	10
10	212+35.59	4.37' Rt.	4.96' Rt.	W14x99	707.90	692.90	15.00'	16.00'	10
11	212+42.73	4.41' Rt.	5.00' Rt.	W14x99	707.90	692.90	15.00'	16.00'	10
12	212+49.23	4.41' Rt.	5.00' Rt.	W14x99	707.90	692.90	15.00'	16.00'	10
13	212+55.73	4.41' Rt.	5.00' Rt.	W14x99	707.90	692.90	15.00'	16.00'	10
14	212+62.23	4.41' Rt.	5.00' Rt.	W14x99	707.40	692.40	15.00'	16.00'	10
15	212+68.73	4.41' Rt.	5.00' Rt.	W14x99	707.40	692.40	15.00'	16.00'	10
16	212+75.23	4.41' Rt.	5.00' Rt.	W14x99	707.40	692.40	15.00'	16.00'	10
17	212+81.73	4.41' Rt.	5.00' Rt.	W14x99	707.40	692.40	15.00'	16.00'	10
18	212+88.23	4.41' Rt.	5.00' Rt.	W14x99	707.40	692.40	15.00'	16.00'	10
19	212+94.73	4.41' Rt.	5.00' Rt.	W14x99	707.40	692.40	15.00'	16.00'	10
20	213+01.23	4.41' Rt.	5.00' Rt.	W14x99	707.40	692.40	15.00'	16.00'	10
21	213+04.94	4.41' Rt.	5.00' Rt.	W14x99	706.40	691.40	15.00'	16.00'	8
22	213+11.44	4.41' Rt.	5.00' Rt.	W14x99	706.40	691.40	15.00'	16.00'	8
23	213+17.94	4.41' Rt.	5.00' Rt.	W14x99	706.40	691.40	15.00'	16.00'	8
24	213+17.96	3.21' Rt.	3.21' Rt.	W14x99	706.40	691.40	15.00'	16.00'	8
25	213+17.96	0.50' Lt.	0.50' Lt.	W14x99	706.40	691.40	15.00'	16.00'	8
26	213+17.96	4.21' Lt.	4.21' Lt.	W14x99	706.40	691.40	15.00'	16.00'	8
Totals							390 Ft.	416 Ft.	264 Ea.

\*\* Precast Manufacturer shall supply one(1) - "A" panel with D=24" opening for 18" storm sewer as shown. Panel shall be constructed in accordance with ACI Standard opening/penetration detailing and shall be paid for as a typical "A" panel. Contractor is also advised to refer to Seepage Collar in the Special Provisions



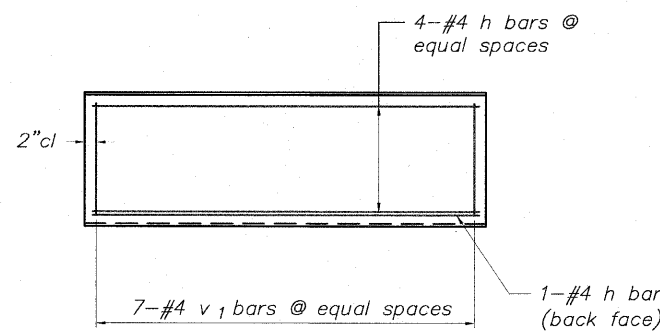
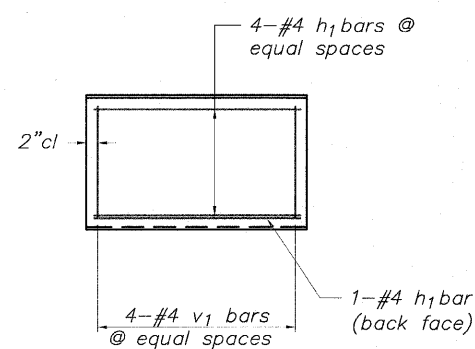
**PANEL SCHEDULE**

PANEL	H	W
A	2'-11 3/4"	6'-0"
B	1'-11 3/4"	6'-0"
C	2'-11 3/4"	3'-3"
D	1'-11 3/4"	3'-3"



**PANEL C REINFORCEMENT**

**PANEL A REINFORCEMENT**



**PANEL D REINFORCEMENT**

**PANEL B REINFORCEMENT**

**PRECAST CONCRETE LAGGING PANEL DETAILS**

**\*BILL OF MATERIAL**

**ONE PANEL A**

Bar	No.	Size	Length	Shape
h	6	#4	5'-8"	—
v	7	#4	2'-8"	—
Concrete Structures			Cu. Yd.	0.41
Reinforcement Bars			Pound	35.2
Panel Area			Sq. Ft.	17.87

**\*BILL OF MATERIAL**

**ONE PANEL B**

Bar	No.	Size	Length	Shape
h	5	#4	5'-8"	—
v1	7	#4	1'-8"	—
Concrete Structures			Cu. Yd.	0.27
Reinforcement Bars			Pound	26.7
Panel Area			Sq. Ft.	11.87

**\*BILL OF MATERIAL**

**ONE PANEL C**

Bar	No.	Size	Length	Shape
h1	6	#4	2'-11"	—
v	4	#4	2'-8"	—
Concrete Structures			Cu. Yd.	0.22
Reinforcement Bars			Pound	18.8
Panel Area			Sq. Ft.	9.68

**\*BILL OF MATERIAL**

**ONE PANEL D**

Bar	No.	Size	Length	Shape
h1	5	#4	2'-11"	—
v1	4	#4	1'-8"	—
Concrete Structures			Cu. Yd.	0.15
Reinforcement Bars			Pound	14.2
Panel Area			Sq. Ft.	6.43

**NOTES:**

- Precast Concrete Lagging shall be labeled "front" (river side) or "back" (embankment side) at the time of casting by the manufacturer.
- Precast Panels shall meet the requirements of Section 1042 of the Standard Specifications and shall be paid for at the contract unit price per square foot for Precast Concrete Lagging.
- Contractor to backfill wall as precast panels are installed or provide blocking detail to Engineer for approval at no additional cost to the contract.

**SP WALL No. 24 DETAILS  
PANEL DETAILS & PILE INFORMATION  
PEDESTRIAN RIVERWALK  
ALONG THE ROCK RIVER  
WINNEBAGO COUNTY  
SECTION NO. 06-00543-00-BT  
STATION 211+87.04 TO  
STATION 213+18.55**

DESIGNED	CTB
CHECKED	AAG
DRAWN	JAW
CHECKED	JWH

**McClure**  
Engineering Associates, Inc.  
7282 Argus Drive  
(815) 398-2332  
Rockford, Illinois 61107-5837  
Fax (815) 398-2496  
Design Firm License: #184-000816  
Copyright 2009 by McClure Engineering Associates, Inc.

SHEET NO. 5  
7 SHEETS

F.A. RTE.	SECTION	COUNTY	TOTAL SHEETS	SHEET NO.
	06-00543-00-BT	WINNEBAGO	148	103
FED. ROAD DIST. NO.		ILLINOIS	FED. AID PROJECT	
			CONTRACT NO. 85521	