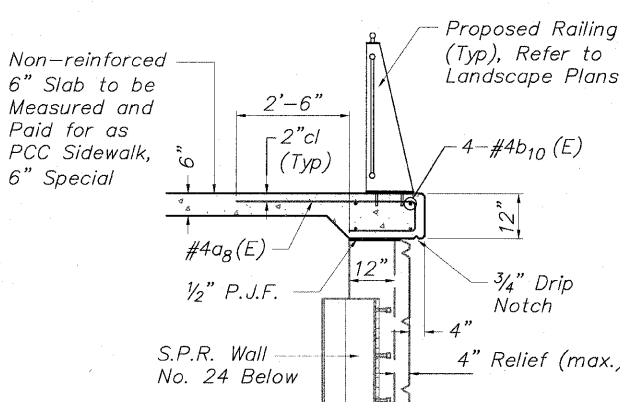
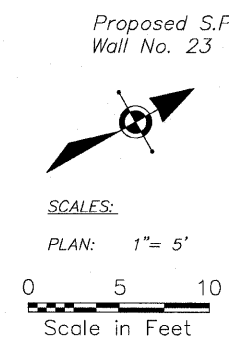
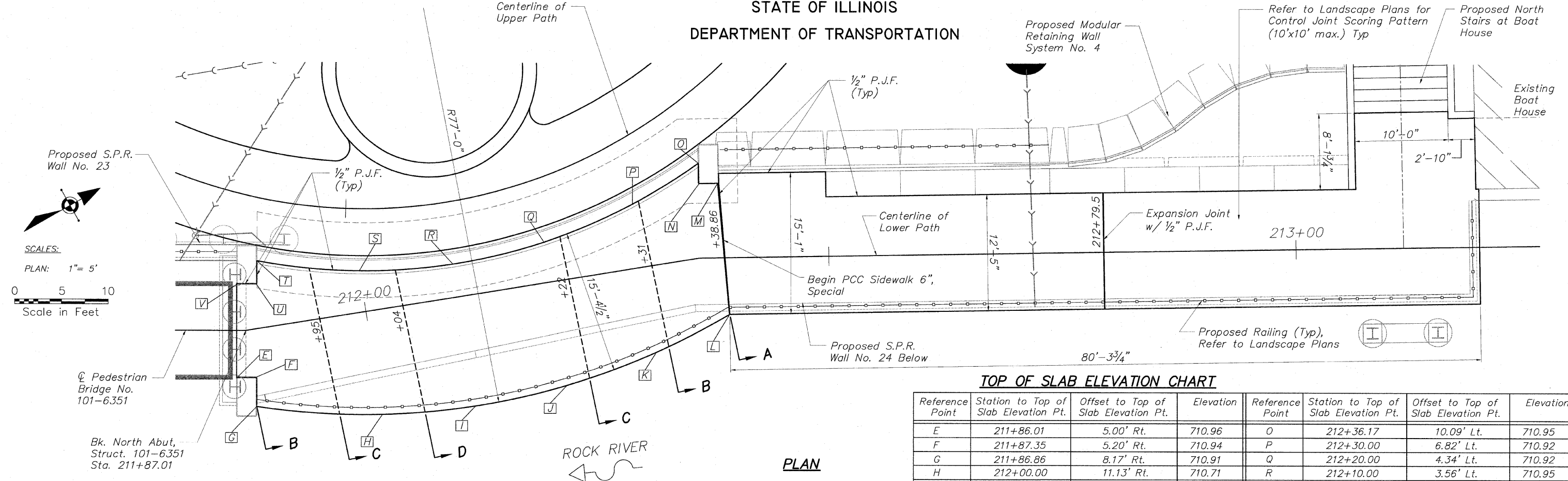
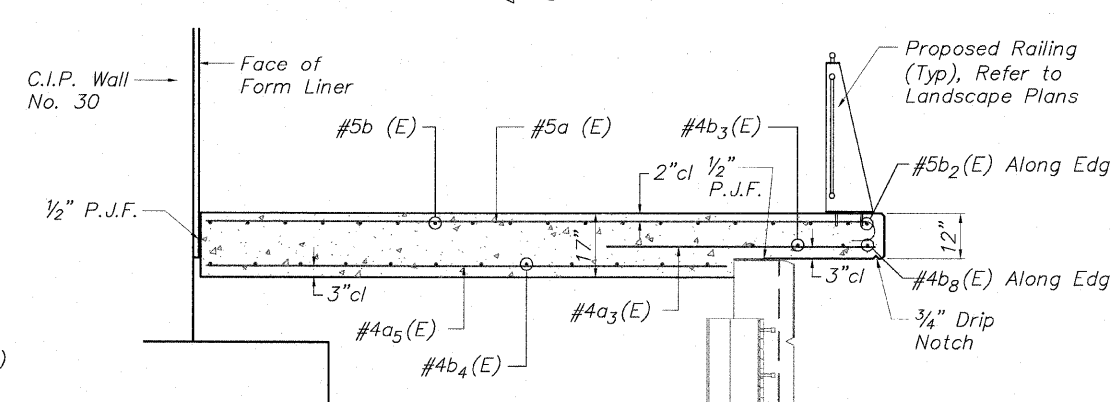


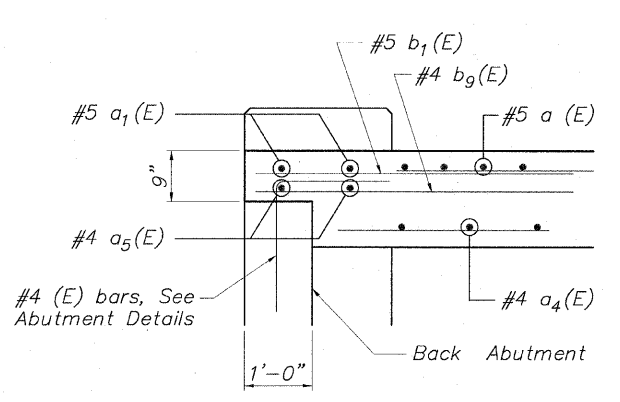
STATE OF ILLINOIS
DEPARTMENT OF TRANSPORTATION



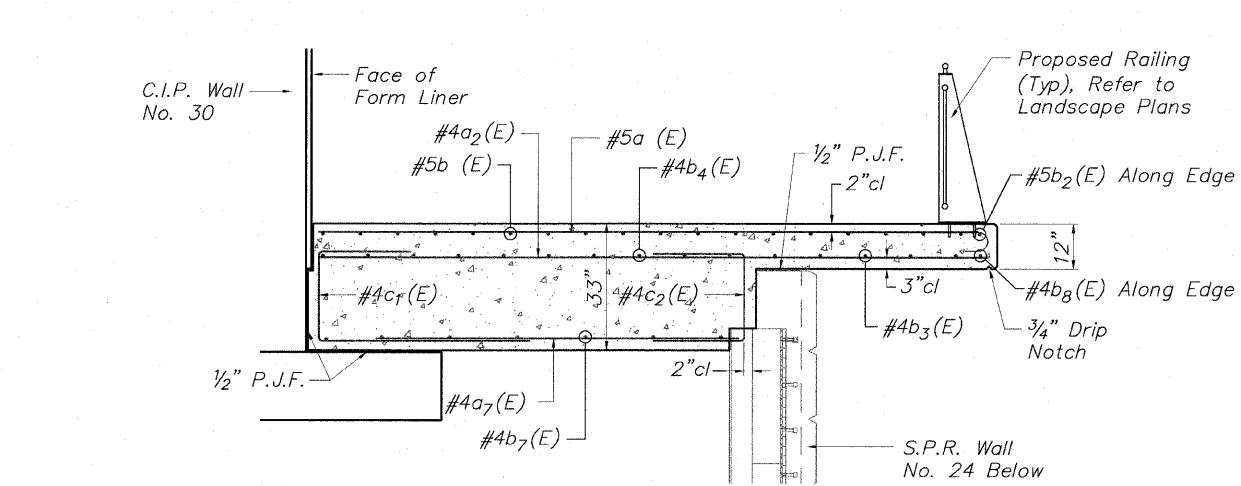
SECTION A-A



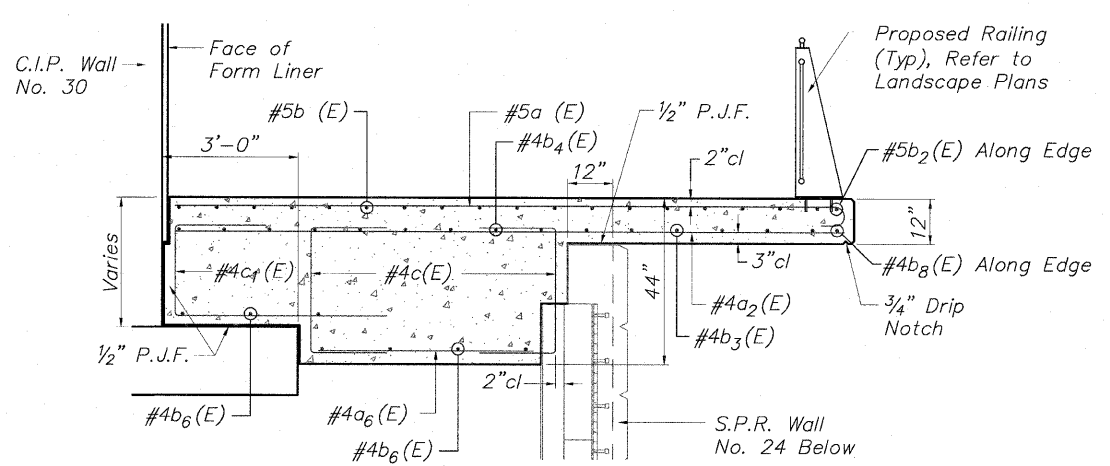
SECTION B-B



SECTION AT BRIDGE ABUTMENT



SECTION C-C



SECTION D-D

TOP OF SLAB ELEVATION CHART

Reference Point	Station to Top of Slab Elevation Pt.	Offset to Top of Slab Elevation Pt.	Elevation	Reference Point	Station to Top of Slab Elevation Pt.	Offset to Top of Slab Elevation Pt.	Elevation
E	211+86.01	5.00' Rt.	710.96	O	212+36.17	10.09' Lt.	710.95
F	211+87.35	5.20' Rt.	710.94	P	212+30.00	6.82' Lt.	710.92
G	211+86.86	8.17' Rt.	710.91	Q	212+20.00	4.34' Lt.	710.92
H	212+00.00	11.13' Rt.	710.71	R	212+10.00	3.56' Lt.	710.95
I	212+10.00	11.81' Rt.	710.64	S	212+00.00	4.42' Lt.	711.02
J	212+20.00	11.19' Rt.	710.61	T	211+89.36	7.21' Lt.	711.06
K	212+30.00	9.23' Rt.	710.60	U	211+88.88	4.76' Lt.	711.04
L	212+39.33	6.08' Rt.	710.57	V	211+86.01	5.00' Lt.	711.06
M	212+38.34	8.00' Lt.	710.85				
N	212+36.17	7.92' Lt.	710.91				

SLAB DEPTH CHART

Station Limits	Maximum Overhang	Min. Slab Depth
211+87.01 - 211+95	3'-6"	17"
211+95 - 212+04	5'-0"	35"
212+04 - 212+22	5'-6"	44"
212+22 - 212+31	5'-0"	35"
212+31 - 212+38.86	3'-6"	17"

**SLAB DETAILS LOOKOUT No. 4
PEDESTRIAN RIVERWALK
ALONG THE ROCK RIVER
WINNEBAGO COUNTY
SECTION NO. 06-00543-00-BT
STA. 211+87.01 TO STA. 213+19.63**

DESIGNED	CTB
CHECKED	AAG
DRAWN	JAW
CHECKED	JWH

McClure
Engineering Associates, Inc.
7282 Argus Drive
Rockford, Illinois 61107-5837
(815) 398-2332 Fax (815) 398-2496
Design Firm License: Illinois #184-000816
Copyright 2010 By McClure Engineering Associates, Inc.

SHEET NO. 6
7 SHEETS

F.A. RTE.	SECTION	COUNTY	TOTAL SHEETS	SHEET NO.
	06-00543-00-BT	WINNEBAGO	148	104
FED. ROAD DIST. NO.	ILLINOIS	FED. AID PROJECT	85521	

H:\06-008 RIVERWALK\DESIGN\DRAWINGS\STRUCTURAL\GPBE-06-008 LOOKOUT DET.DWG. PLANDMET LOOKOUT.dwg, 10/26/2010 4:19:16 PM, JH