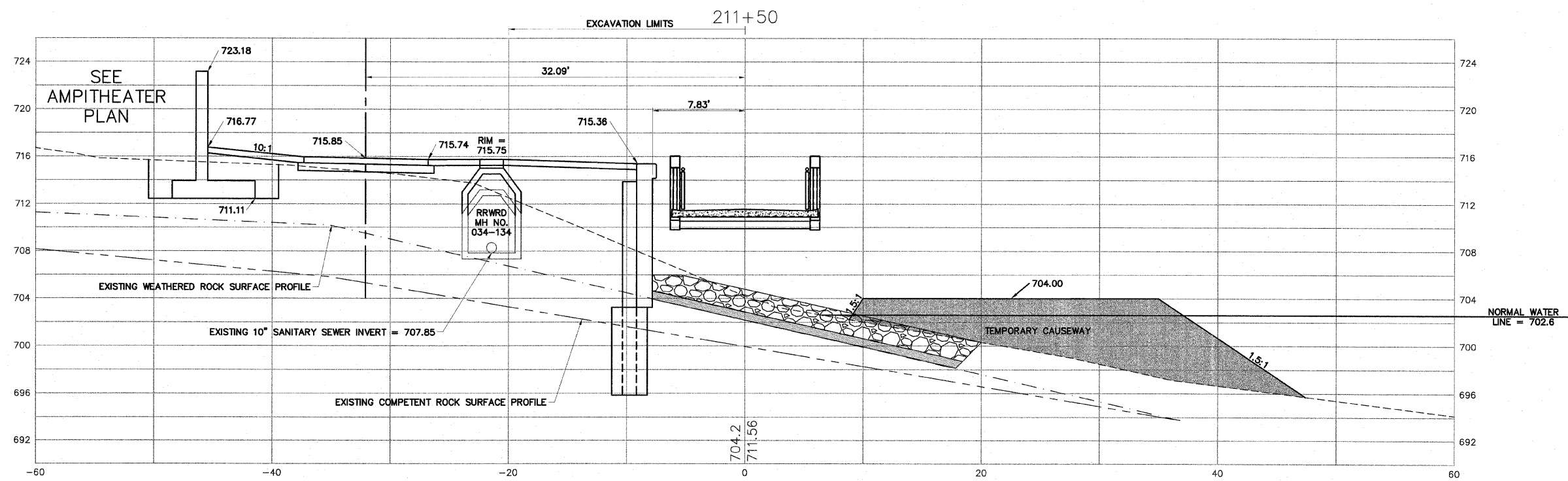
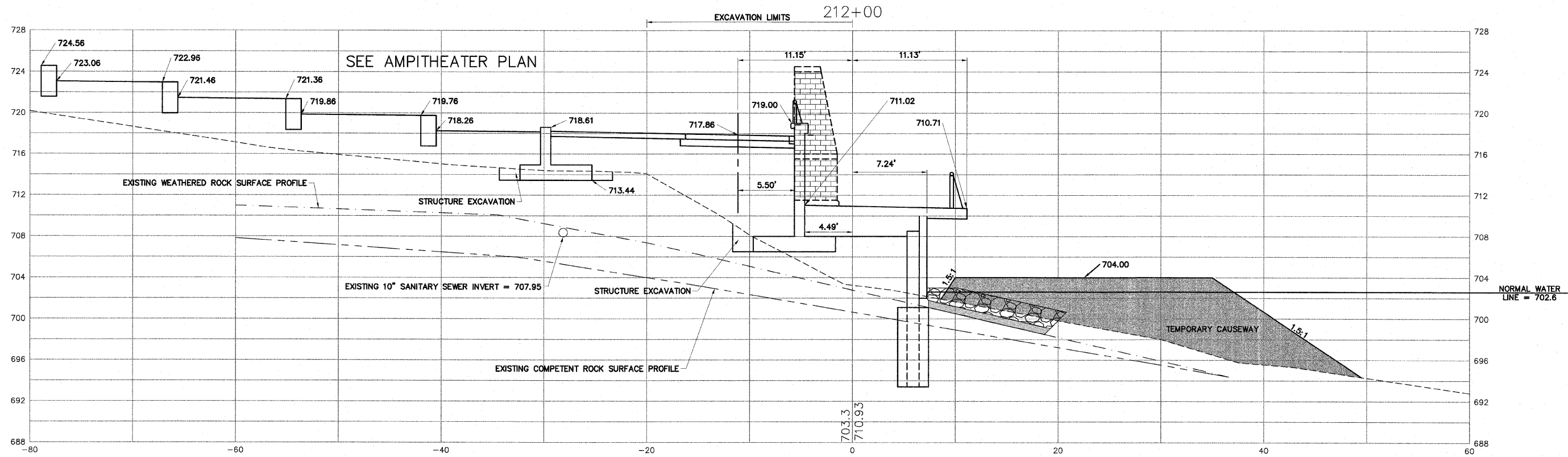


FROM STATION 211+50 TO 213+11.27 THE EARTH EXCAVATION QUANTITY STOPS AT 20 FEET LEFT OF CENTERLINE. THE EXCAVATION GREATER THAN 20 FEET LEFT IS INCLUDED IN THE 300 SERIES STATIONING QUANTITY.

F.A. RTE.	SECTION	COUNTY	TOTAL SHEETS	SHEET NO.
	06-00543-00-BT	WINNEBAGO	148	123
FED. ROAD DIST. NO.		ILLINOIS	CONTRACT NO.	85521



H:\08-008 RIVERWALK MUSEUM\DESIGN\DRAWINGS\08-008 XSEC FINAL DWG. CROSS SECTIONS - 211+50 TO 212+00. 11/1/2010 12:49:40 PM. J.L. JWH

	<p style="text-align: center;">SHEET REVIEW</p> <table border="1" style="width: 100%; border-collapse: collapse;"> <tr> <th style="width: 50%;">AGENCY</th> <th style="width: 50%;">DATE</th> </tr> <tr> <td> </td> <td> </td> </tr> </table>	AGENCY	DATE			<p style="text-align: center;">REVISIONS</p> <table border="1" style="width: 100%; border-collapse: collapse;"> <tr> <th style="width: 10%;">NO.</th> <th style="width: 70%;">ITEM</th> <th style="width: 20%;">DATE</th> </tr> <tr> <td> </td> <td> </td> <td> </td> </tr> </table>	NO.	ITEM	DATE				<p>SCALE: Hor. 1"=5' Ver. 1"=5'</p> <p>DRAWN BY: MS</p> <p>CHECKED BY: JWH</p> <p>DATE: AUGUST 13, 2010</p>	<p>McClure Engineering Associates, Inc. 7282 Argus Drive Rockford, Illinois 61107-5837 (815) 398-2332 FAX (815) 398-2496 Design Firm License: Illinois 184-000816 Copyright 2010 By McClure Engineering Associates, Inc.</p>	<p>CROSS SECTIONS - 211+50 TO 212+00</p> <p>RIVERWALK MUSEUM CAMPUS</p> <p>711 NORTH MAIN STREET ROCKFORD, IL</p> <p>FILE: H:\08-008 RIVERWALK MUSEUM\DESIGN\DRAWINGS\08-008 XSEC FINAL DWG JOB: 04-28-10-008</p>	<p>SHEET NO.</p> <p>123</p> <p>OF</p> <p>148</p>
AGENCY	DATE															
NO.	ITEM	DATE														