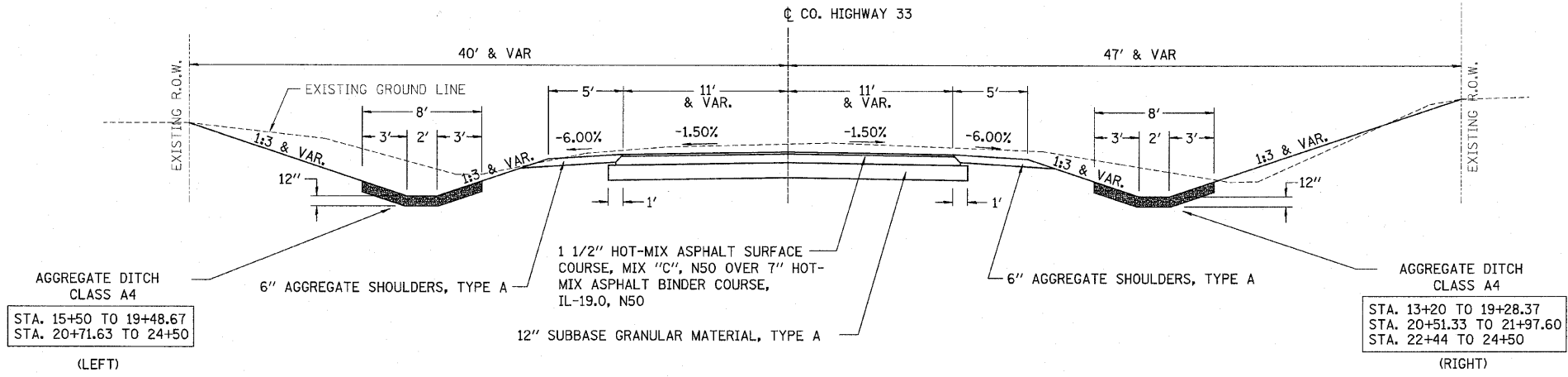


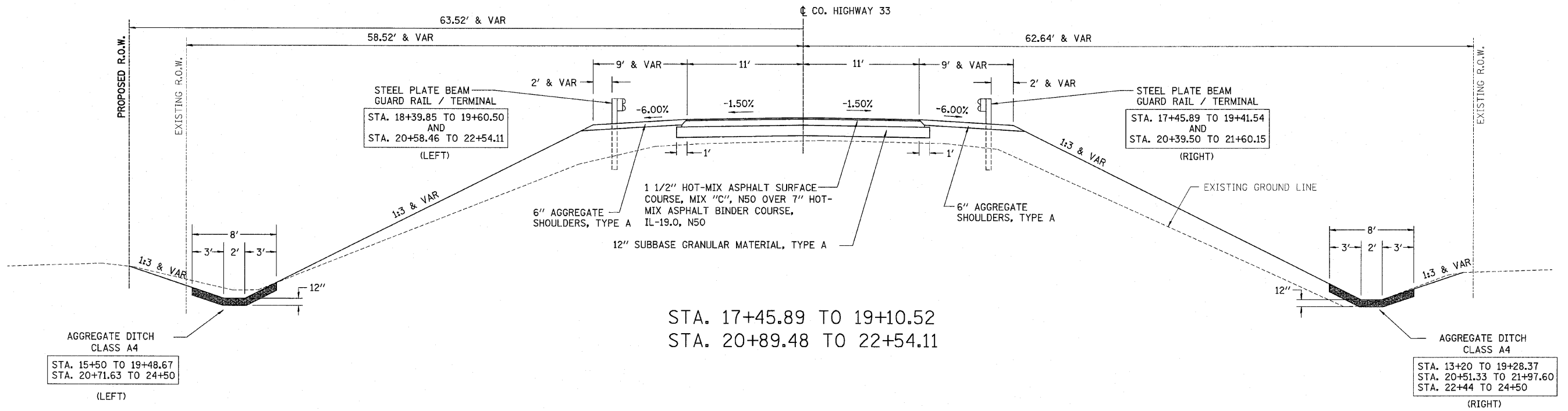
DATE	
BY	
SURVEYED	
PLOTTED	
CHECKED	
BY	
DATE	
NOTE BOOK NO.	
DATE	
FILE NAME	

DATE	
BY	
SURVEYED	
PLOTTED	
CHECKED	
BY	
DATE	
NOTE BOOK NO.	
DATE	
FILE NAME	



STA. 12+00.00 TO 17+45.89
STA. 22+54.11 TO 24+50

STA. 19+10.52 TO 20+89.48
BRIDGE OMMISION



STA. 17+45.89 TO 19+10.52
STA. 20+89.48 TO 22+54.11

S:\Projects\1189006-CH33-Lasalle-County\Design\ypasea.dgn

WILLET, HOFMANN & ASSOCIATES, INC.
CONSULTING ENGINEERS
809 East Second Street, Dixon, IL 61021
Phone: 815-284-3381 Fax: 815-284-3385
Design Firm # 184-00918
www.willettthofmann.com

USER NAME =	DESIGNED -	REVISED -
PLOT SCALE =	DRAWN -	REVISED -
PLOT DATE =	CHECKED -	REVISED -
	DATE -	REVISED -

LASALLE COUNTY
COUNTY HIGHWAY 33
TOMAHAWK BRIDGE REPLACEMENT

TYPICAL SECTIONS

F.A.S. RTE.	SECTION	COUNTY	TOTAL SHEETS	SHEET NO.
1365	10-00650-00-BR	LASALLE	39	5
STA.	TO STA.	CONTRACT NO. 87448		
FED. ROAD DIST. NO. 7 ILLINOIS		FED. AID PROJECT BRS-1365(113)		