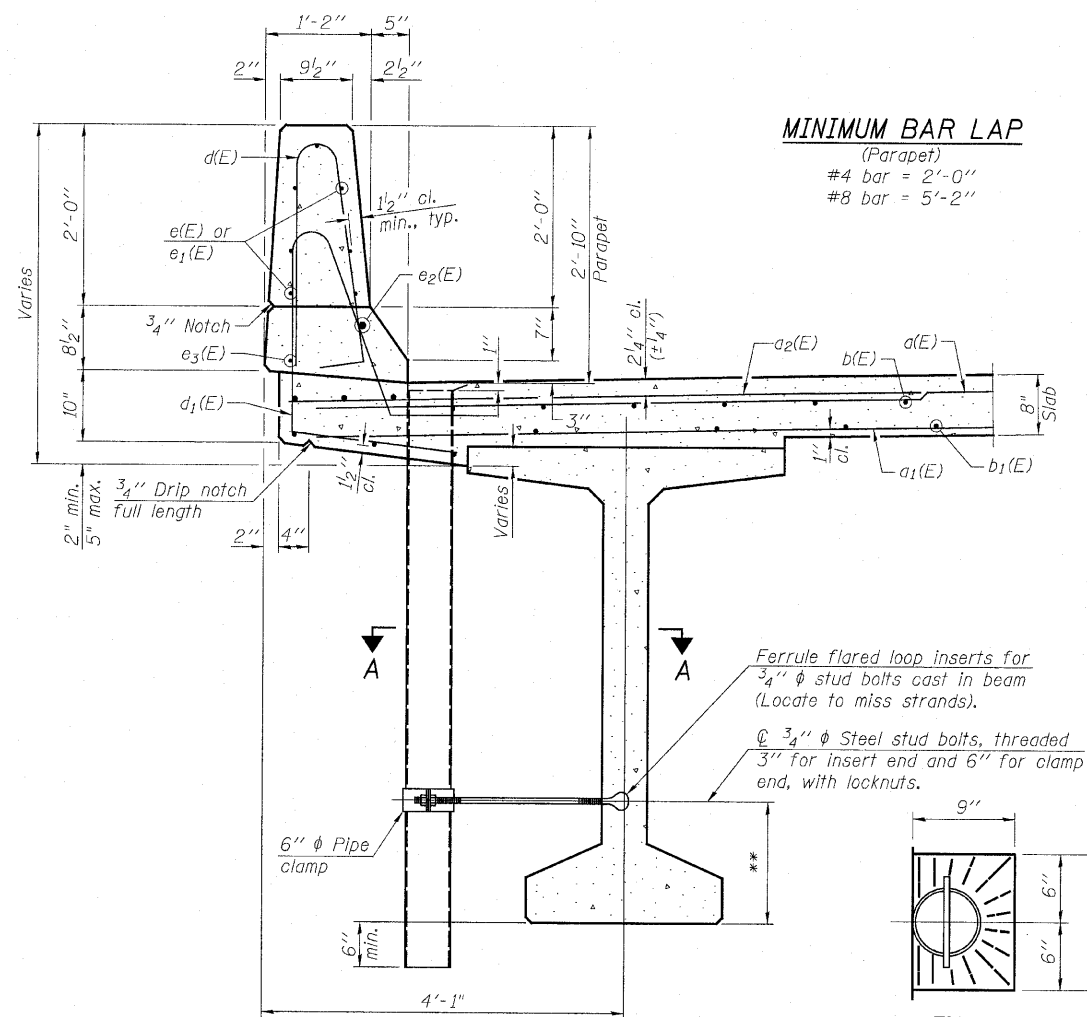


INSIDE ELEVATION OF PARAPET

**SUPERSTRUCTURE
BILL OF MATERIAL**

Bar	No.	Size	Length	Shape
a(E)	177	#5	34'-6"	—
a1(E)	124	#5	33'-6"	—
a2(E)	352	#6	6'-6"	—
a3(E)	4	#5	39'-10"	—
a4(E)	250	#4	5'-9"	└
b(E)	117	#5	36'-5"	—
b1(E)	104	#5	28'-2"	—
b2(E)	20	#4	24'-0"	—
d(E)	226	#5	5'-7"	└
d1(E)	226	#5	7'-8"	└
e(E)	28	#4	17'-1"	—
e1(E)	56	#4	16'-8"	—
e2(E)	6	#8	38'-9"	—
e3(E)	8	#4	27'-8"	—
m(E)	10	#6	40'-2"	—
m1(E)	24	#6	11'-8"	—
m2(E)	8	#6	4'-10"	—
m3(E)	4	#6	3'-0"	—
m4(E)	4	#6	38'-1"	—
m5(E)	16	#6	10'-4"	—
s(E)	60	#5	6'-9"	└
s1(E)	36	#4	16'-1"	└
v(E)	68	#5	4'-0"	└
Floor Drains	Each		10	
Concrete Superstructure		Cu. Yd.	190.9	
Bridge Deck Grooving		Sq. Yd.	343	
Protective Coat		Sq. Yd.	452	
Reinforcement Bars, Epoxy Coated		Pound	30,590	

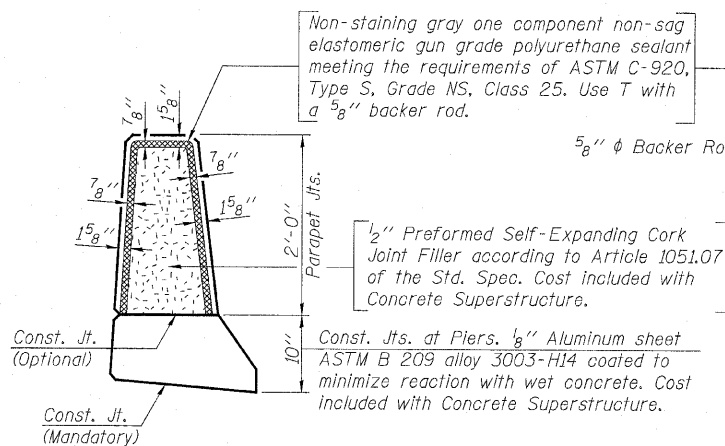


SECTION THRU PARAPET

**For insert locations see Structural Sheet 8 of 18.

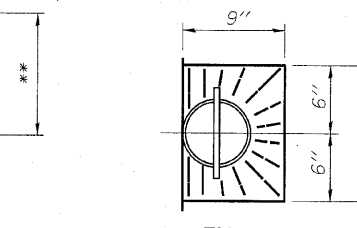
MINIMUM BAR LAP

(Parapet)
#4 bar = 2'-0"
#8 bar = 5'-2"

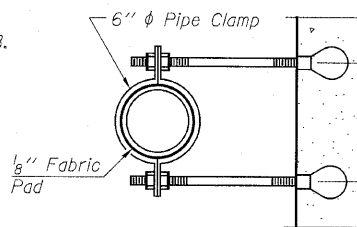


PARAPET JOINT DETAILS

Ferrule flared loop inserts for 3/4" φ stud bolts cast in beam (Locate to miss strands).
3/4" φ Steel stud bolts, threaded 3" for insert end and 6" for clamp end, with locknuts.

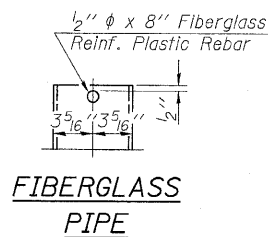


TOP PLAN

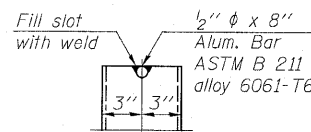


SECTION A-A

*Dimension as required by Pipe Clamp

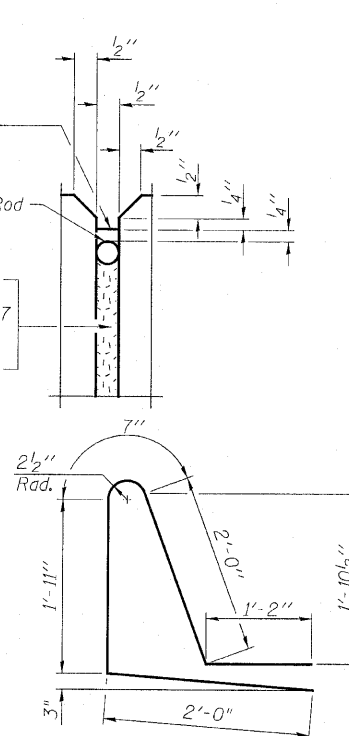


FIBERGLASS PIPE



ALUMINUM TUBE

TOP PLAN (Showing Aluminum Tube)



BAR d(E)

BAR s(E)

BAR d1(E)

BAR s1(E)

BAR v(E)

NOTES:

Fiberglass pipe shall conform to ASTM D2996, with short-time rupture strength hoop tensile stress of 30,000 p.s.i. minimum.

The exterior surfaces of the floor drains shall be coated or pigmented by the manufacturer with a color that matches the concrete.

The clamping device and inserts shall be galvanized according to AASHTO M 232. Cost of clamping device and inserts included with Floor Drains.

Bars indicated thus 1 x 3-#8 etc. indicates 1 line of bars with 3 lengths per line.

SUPERSTRUCTURE DETAILS
C.H. 33 OVER TOMAHAWK CREEK
F.A.S. RTE. 1365 - SEC. 10-00650-00-BR
LASALLE COUNTY
STATION 20+00
S.N. 050-3594
WHA # 1155D08

STRUCTURAL SHEET NO. 9 OF 18 SHEETS	F.A.S. RTE.	SECTION	COUNTY	TOTAL SHEETS	SHEET NO.
	1365	10-00650-00-BR	LASALLE	39	22
			CONTRACT NO. 87448		
FED. ROAD DIST. NO. 7 ILLINOIS FED. AID PROJECT BRS-1365(113)					