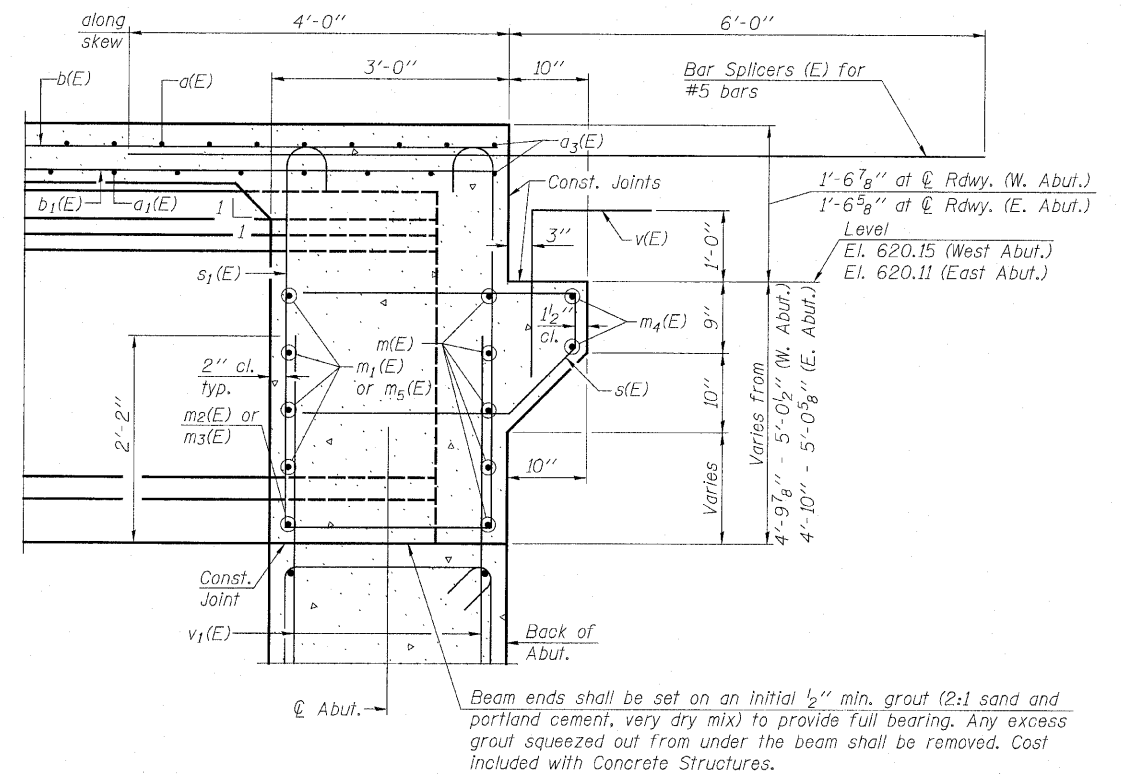


DIAPHRAGM ELEVATION AT ABUTMENT

MIN. BAR LAP
#6 bar = 3'-4"



SECTION A-A

Dimensions at right angles to abutment, except as shown.

NOTES:

Reinforcement bars in diaphragm are billed with superstructure on Structural Sheet 9 of 18.

Concrete in diaphragm is included with Concrete Superstructure on Structural Sheet 9 of 18.

For details of bars s(E) and s1(E) see Structural Sheet 9 of 18.

The s(E) and s1(E) bars shall be placed parallel to the beams. Spacing for these bars shall be at right angles to the beams.

DIAPHRAGM DETAILS
C.H. 33 OVER TOMAHAWK CREEK
F.A.S. RTE. 1365 - SEC. 10-00650-00-BR
LASALLE COUNTY
STATION 20+00
S.N. 050-3594
WHA # 1155D08

STRUCTURAL SHEET NO. 10 OF 18 SHEETS	F.A.S. RTE.	SECTION	COUNTY	TOTAL SHEETS	SHEET NO.
	1365	10-00650-00-BR	LASALLE	39	23
			CONTRACT NO. 87448		
FED. ROAD DIST. NO. 7 ILLINOIS FED. AID PROJECT BRS-1365(113)					

FILE NAME: z:\s\p\ca\1155D08\CH33\Lasalle\Drawings\1155_Diaphragm\Diaphragm.dwg