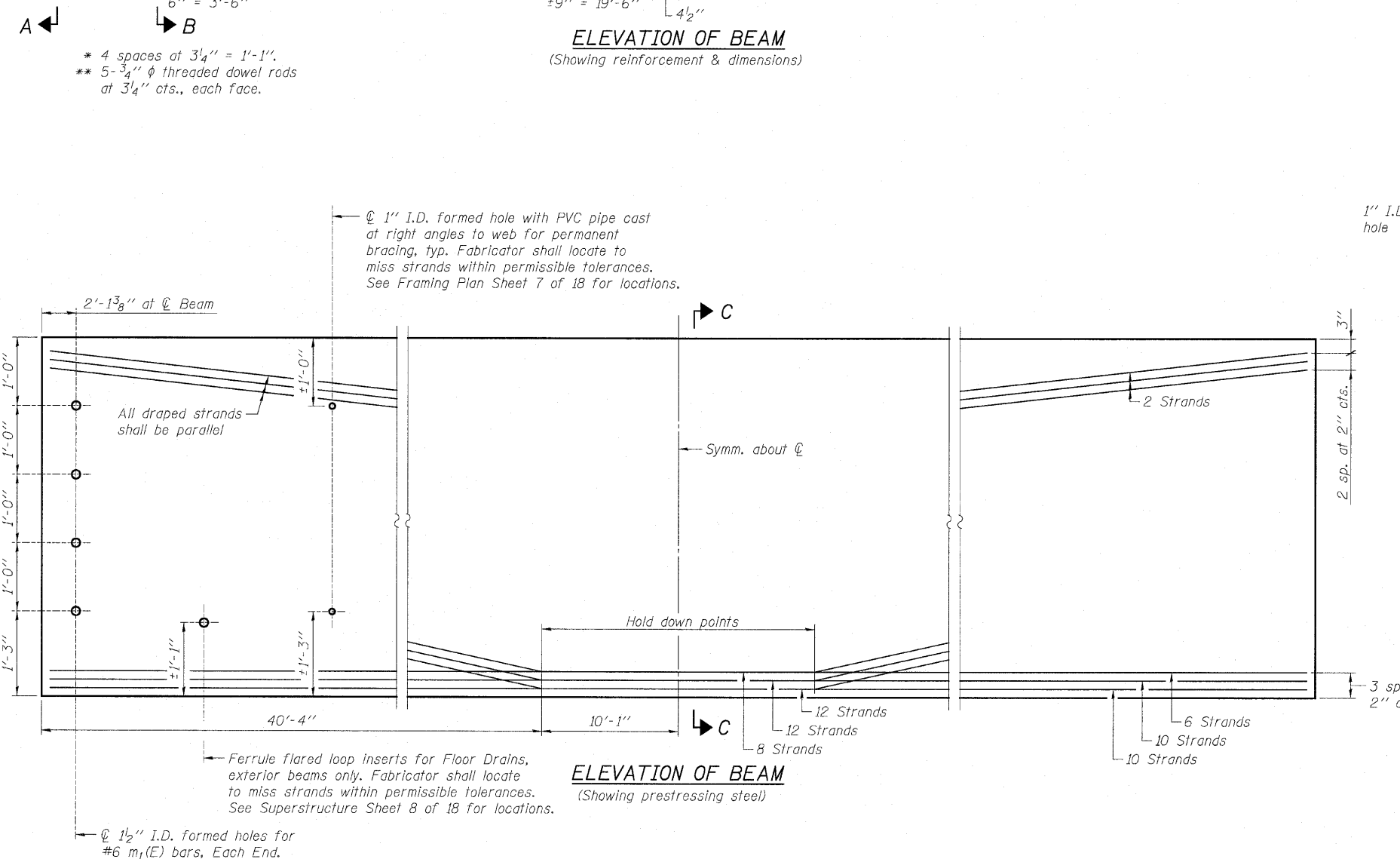


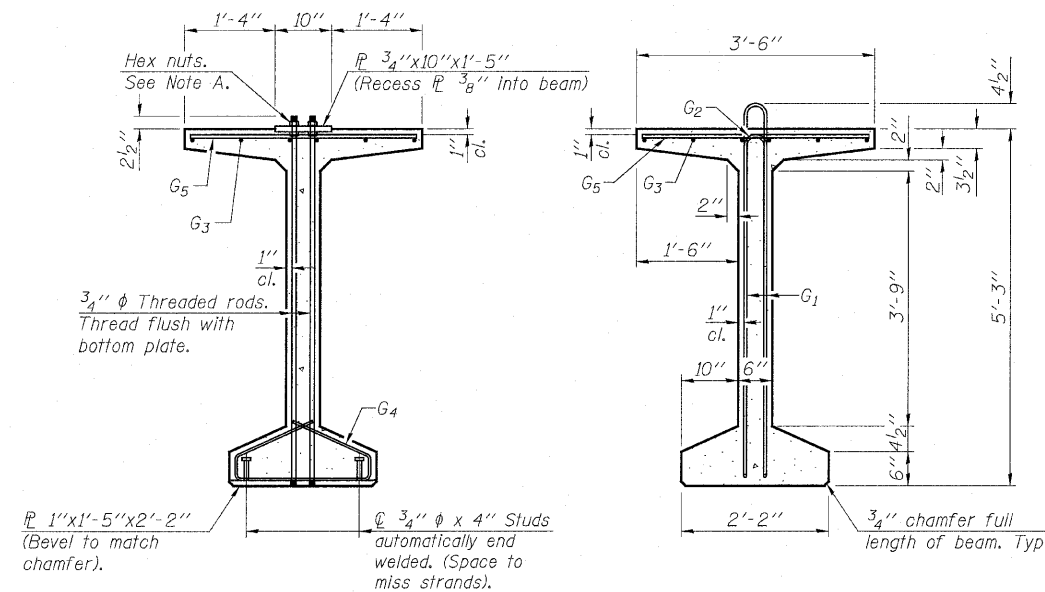
ELEVATION OF BEAM
(Showing reinforcement & dimensions)

* 4 spaces at 3/4" = 1'-1".
** 5-3/4" φ threaded dowel rods at 3/4" cts., each face.



ELEVATION OF BEAM
(Showing prestressing steel)

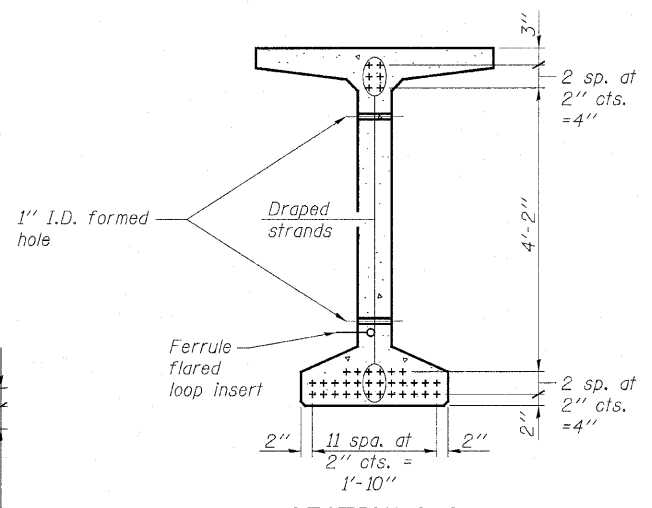
Ferrule flared loop inserts for Floor Drains, exterior beams only. Fabricator shall locate to miss strands within permissible tolerances. See Superstructure Sheet 8 of 18 for locations.



SECTION A-A

SECTION B-B

Note A:
Hex nuts (top and bottom) with lock washers (top). Only tighten sufficiently to compress lock washers.



SECTION C-C

*****BAR LIST
ONE BEAM ONLY**

Bar	No.	Size	Length	Shape
G1	170	#4	11'-11"	∩L
G2	16	#4	10'-2"	∩
G3	12	#6	52'-2"	—
G4	56	#3	4'-11"	∩
G5	135	#5	3'-4"	—

*** For information only

NOTES:
See Structural Sheet 13 of 18 for additional details and Bill of Material.
Required release strength, f'ci, shall be 5,000 psi.
See Structural Sheet 7 of 18 for Permanent Bracing Details.
See Structural Sheet 9 of 18 for Floor Drain Details.

**63" PPC BULB T-BEAM
C.H. 33 OVER TOMAHAWK CREEK
F.A.S. RTE. 1365 - SEC. 10-00650-00-BR
LASALLE COUNTY
STATION 20+00
S.N. 050-3594
WHA # 1155D08**

STRUCTURAL SHEET NO. 12 OF 18 SHEETS	F.A.S. RTE.	SECTION	COUNTY	TOTAL SHEETS	SHEET NO.
	1365	10-00650-00-BR	LASALLE	39	25
CONTRACT NO. 87448					
FED. ROAD DIST. NO. 7 ILLINOIS FED. AID PROJECT BRS-1365(113)					