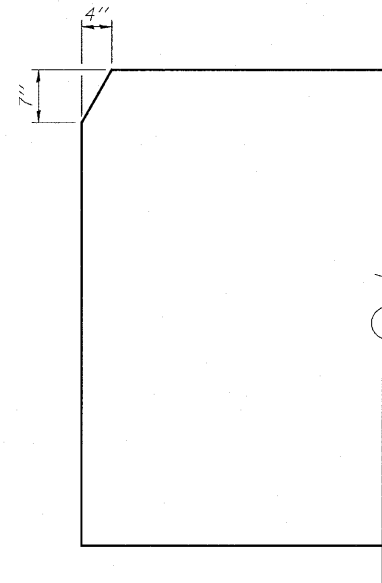


Beam ends shall be set on an initial 1/2" min. grout (2:1 sand and portland cement, very dry mix) to provide full bearing. Any excess grout squeezed out from under the beam shall be removed. Cost included with Concrete Structures.

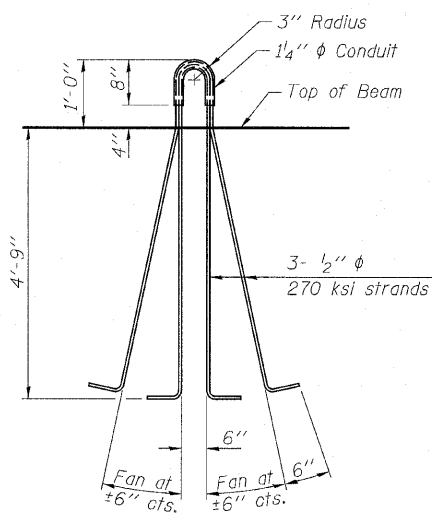
ELEVATION OF BEAM AT ABUTMENT



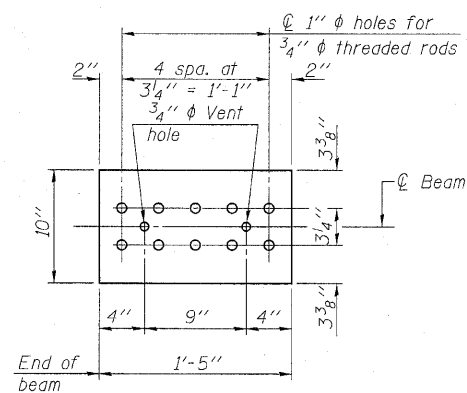
NOTCH DETAIL
(Plan View Top Flange)

NOTES:

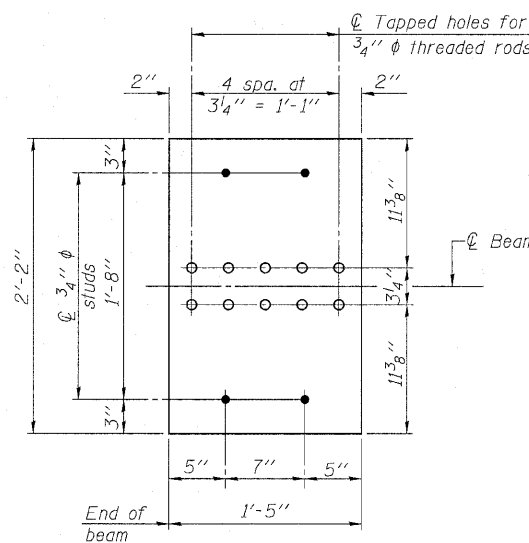
Inserts for 3/4" ϕ threaded dowel rods, when specified, are to be two strut ferrule type for interior beams and single ferrule, flared loop type for exterior beams.
 Prestressing steel shall be uncoated high strength, low relaxation 7-wire strand, Grade 270. The nominal diameter shall be 1/2" and the nominal cross-sectional area shall be 0.153 sq. in.
 Reinforcement bars shall conform to ASTM A 706, Grade 60. (See Special Provisions).
 A minimum 2 1/2" ϕ lifting pin shall be used to engage the lifting loops during handling.
 The top and bottom plates shall be AASHTO M270 Grade 50.
 The bottom plates and studs shall be galvanized according to AASHTO M111. Top plates and threaded rods need not be galvanized.
 Threaded rods shall be ASTM F 1554 Grade 55.



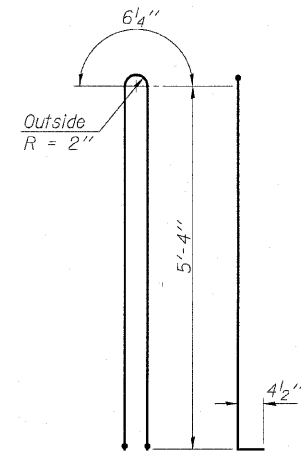
LIFTING LOOP DETAIL



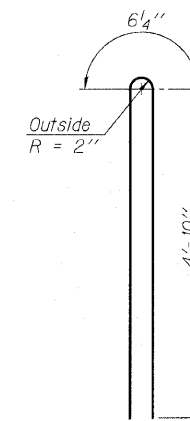
TOP PLATE



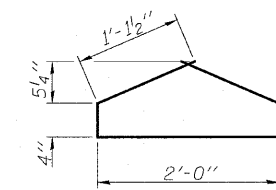
BOTTOM PLATE



BAR G1



BAR G2



BAR G4

BILL OF MATERIAL

Item	Unit	Total
Furnishing and Erecting Precast Prestressed Concrete Bulb T-Beams, 63"	Foot	504.0

63" PPC BULB T-BEAM DETAILS
 C.H. 33 OVER TOMAHAWK CREEK
 F.A.S. RTE. 1365 - SEC. 10-00650-00-BR
 LASALLE COUNTY
 STATION 20+00
 S.N. 050-3594
 WHA # 1155D08

STRUCTURAL SHEET NO. 13 OF 18 SHEETS	F.A.S. RTE. 1365	SECTION 10-00650-00-BR	COUNTY LASALLE	TOTAL SHEETS 39	SHEET NO. 26
FED. ROAD DIST. NO. 7 ILLINOIS			FED. AID PROJECT BRS-1365(113)		

FILE NAME = s:\Struct. 1155D08.CH31.Lasalle County Drawings\1155.PPCBeamDetails.dwg